

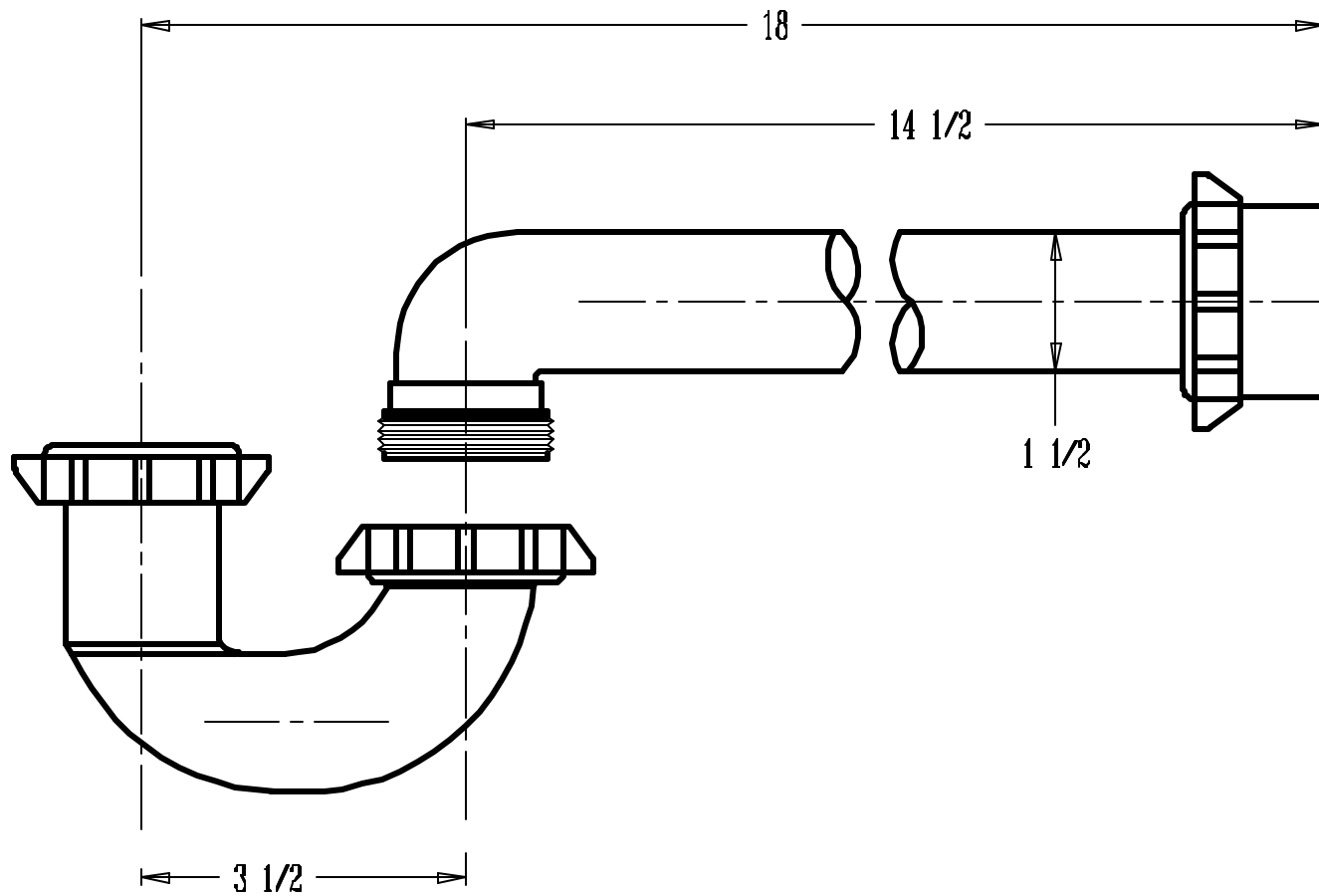
KEENEY MANUFACTURING
NEWINGTON, CT.

TITLE: P-TRAP LOW INLET 18"

DWG BY: C. GRAHAM

DATE: 06/20/00

SCALE: SHOWN



NOTE: ALL DIMENSIONS IN INCHES