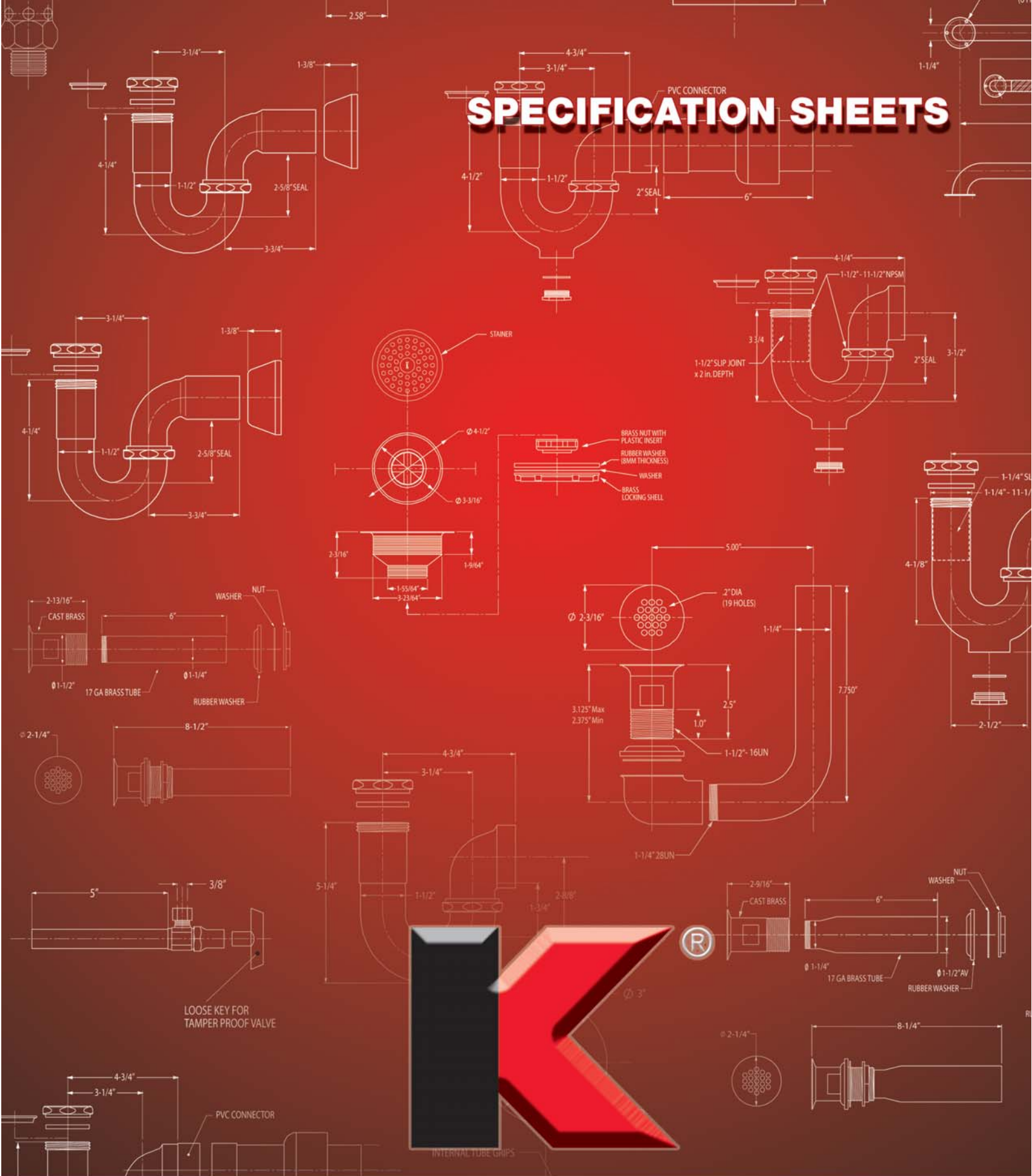


SPECIFICATION SHEETS



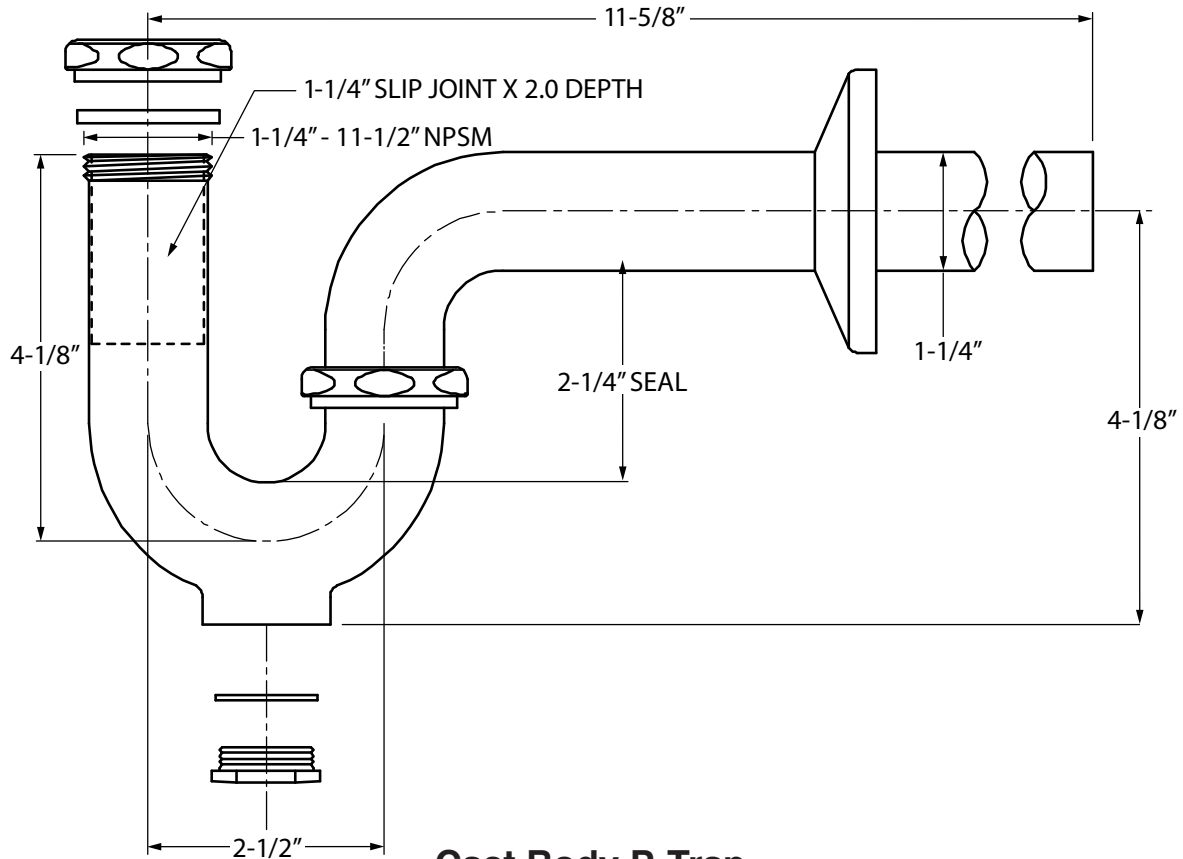
THE KEENEY MANUFACTURING COMPANY



SPECIFICATION SHEETS

The Keeney Manufacturing Company
 1170 Main Street • Newington, CT 06111
 Phone: (800) 243-0526 • Fax: (860) 665-0374
 www.keeneymfg.com

ALL MEASURES IN INCHES



Cast Body P-Trap

5303PC 1-1/4" x 1-1/4"

With Cleanout. 17 Gauge Wall Arm. Cast Brass Nuts.
 1 1/4" O.D. Shallow Escutcheon. Polished Chrome.

- For Die Cast Nut - Add Suffix "DC"
- For Metal to Metal Ground Joint - Add Suffix "X"
- For Deep Escutcheon - Add Suffix "DF"
- For Box Escutcheon - Add Suffix "866"
- For Cast Set Screw Escutcheon - Add Suffix "1803"

CROSS REFERENCE GUIDE

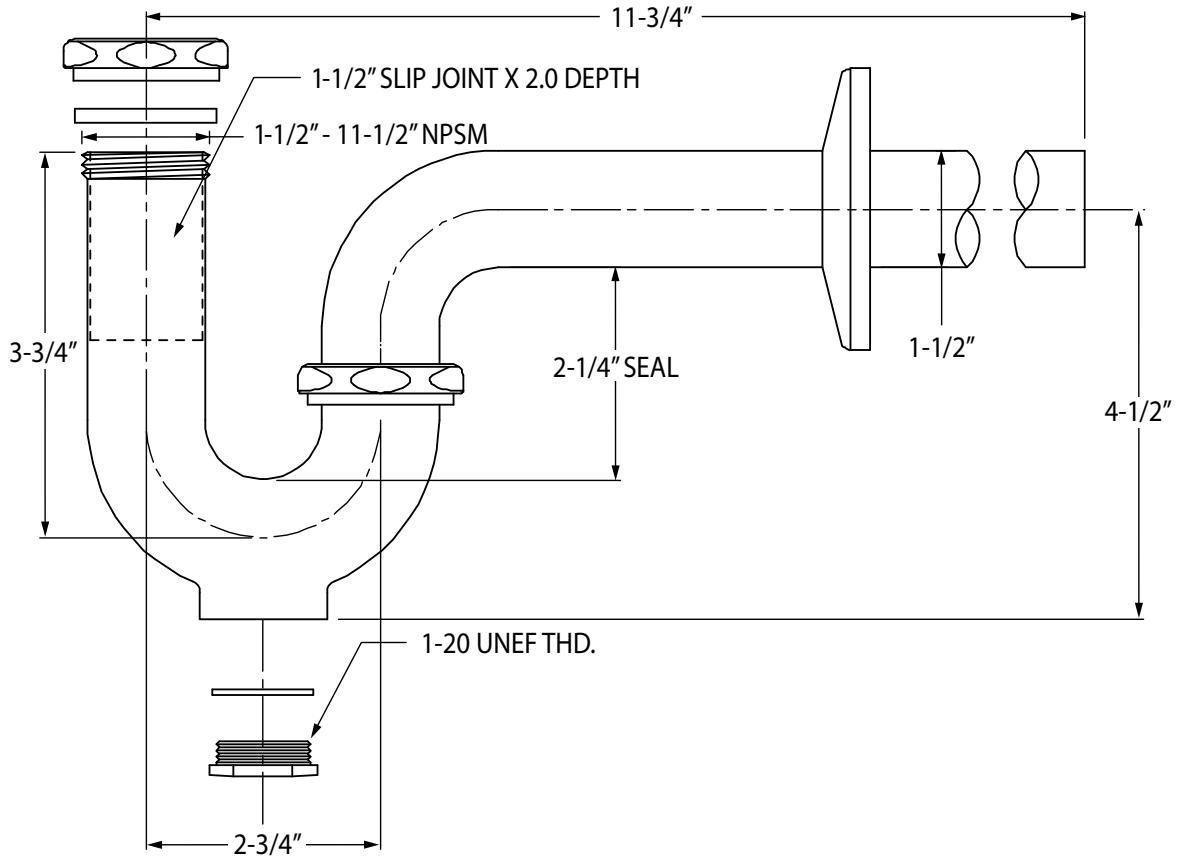
Keeney	Kohler	Eljer	AM. Standard	Crane	McGuire	Watts	Dearborn	Zurn
5303PC	K-8998	804-1180	4401.014	8-5260	8872	518173	507-1	Z8700B-PC
5303PC866CR	-	-	-	-	8872CBECO	518173B	507BN-1	



SPECIFICATION SHEETS

The Keeney Manufacturing Company
 1170 Main Street • Newington, CT 06111
 Phone: (800) 243-0526 • Fax: (860) 665-0374
 www.keeneymfg.com

ALL MEASURES IN INCHES



Cast Body P-Trap

- 5311PC 1-1/4" x 1-1/2"
- 5307PC 1-1/2" x 1-1/2"

With Cleanout. 17 Gauge Wall Arm. Cast Brass Nuts.
 1-1/2" O.D. Shallow Escutcheon. Polished Chrome.

For Die Cast Nut - Add Suffix "DC"
 For Deep Escutcheon - Add Suffix "DF"
 For Box Escutcheon - Add Suffix "867"
 For Cast Set Screw Escutcheon - Add Suffix "1804"

CROSS REFERENCE GUIDE

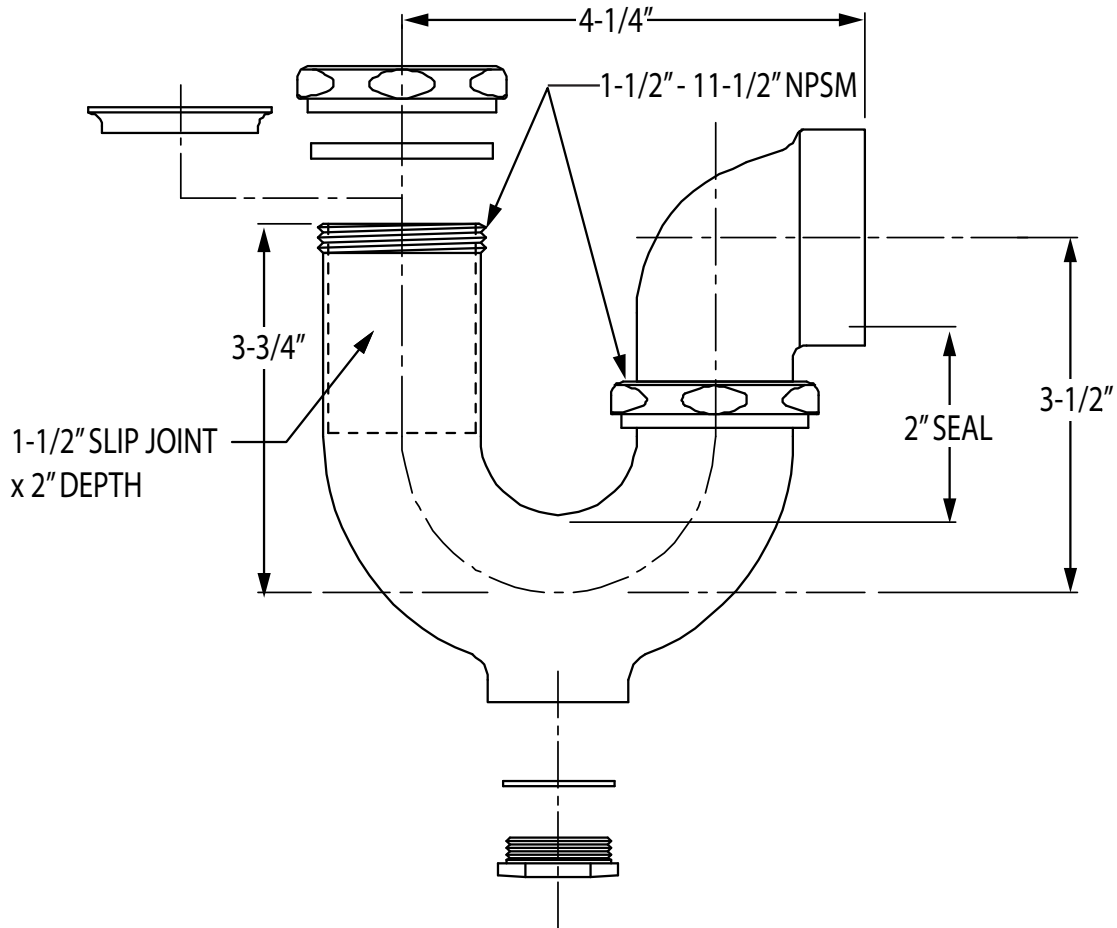
Keeney	Kohler	Eljer	AM. Standard	Crane	McGuire	Watts	Dearborn	Zurn
5311PC	K-8999	804-1185	4402.012	8-5260	8902	-	-	Z8701B-PC
5311PC867CR	K-8999	804-1185	4402.012	8-5260	8902CBECO	519173RBN	-	Z8701B-PC
5307PC	K-9000	804-1190	4403.010	8-5260	8912	519173	510-1	Z8700B-PC
5307PC867CR	K-9000	804-1190	4403.010	8-5260	8912CBECO	519173B	510BN-1	Z8700B-PC



SPECIFICATION SHEETS

The Keeney Manufacturing Company
 1170 Main Street • Newington, CT 06111
 Phone: (800) 243-0526 • Fax: (860) 665-0374
 www.keeneymfg.com

ALL MEASURES IN INCHES



Ft. Worth Swivel Trap

5463XPC 1-1/4" Comp. x 1-1/2" I.P.S. with reducing Nut and Washer

5461XPC 1-1/2" Comp. x 1-1/2" I.P.S.

All Cast Brass. With Cleanout. With Captive Brass Swivel Nut and Brass Inlet Nut. Ground Joint. Polished Chrome.

CROSS REFERENCE GUIDE

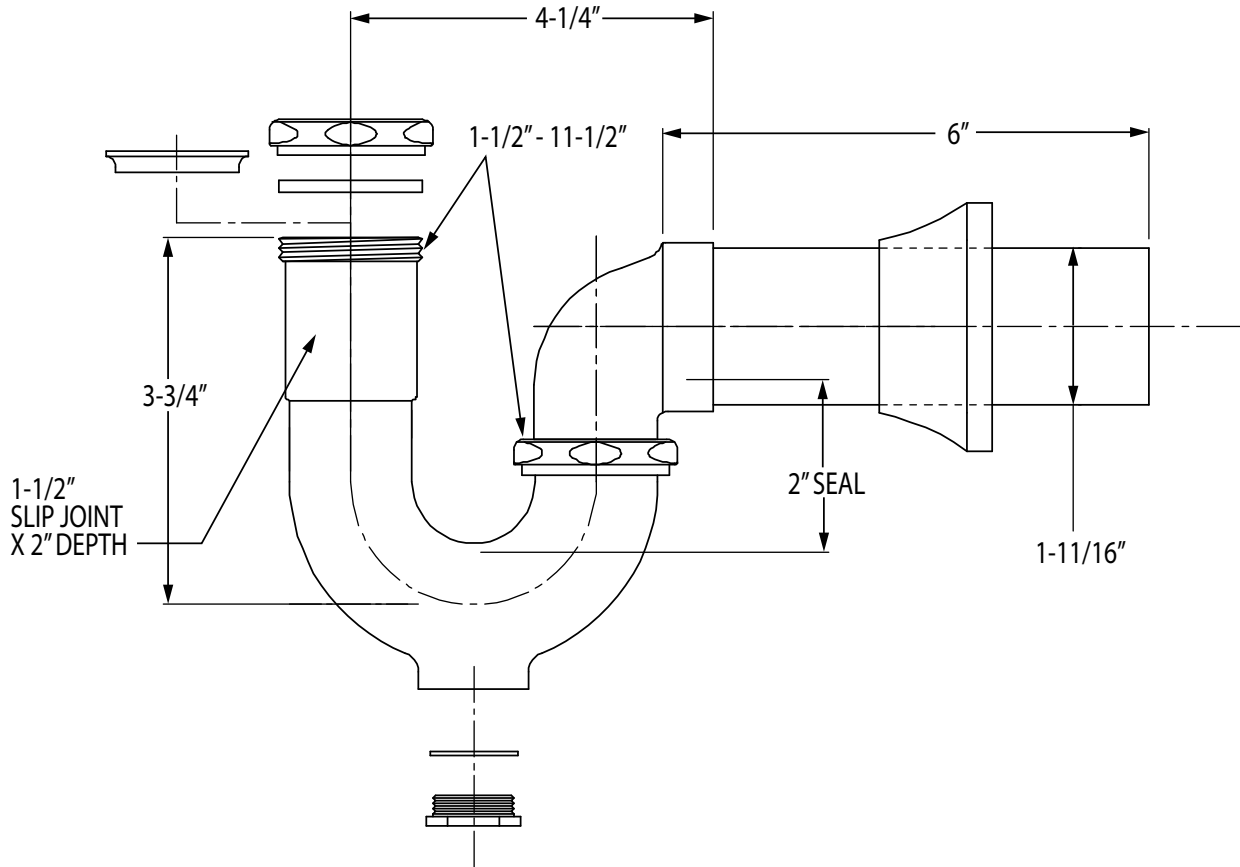
Keeney	Kohler	Eljer	AM. Standard	Crane	McGuire	Watts	Dearborn	Zurn
5463XPC	K-8995	804-1105	4420.030	8-5272	8090	-	-	-
5461XPC	K-8996	804-1110	4419.040	8-5272	8089	-	580-1	Z8712B-PC
5461XPCCR	K-8996	804-1110	4419.040	8-5272	8089C	-	580-1	Z8712B-PC



SPECIFICATION SHEETS

The Keeney Manufacturing Company
 1170 Main Street • Newington, CT 06111
 Phone: (800) 243-0526 • Fax: (860) 665-0374
 www.keeneymfg.com

ALL MEASURES IN INCHES



Ft. Worth Swivel Trap for Copper

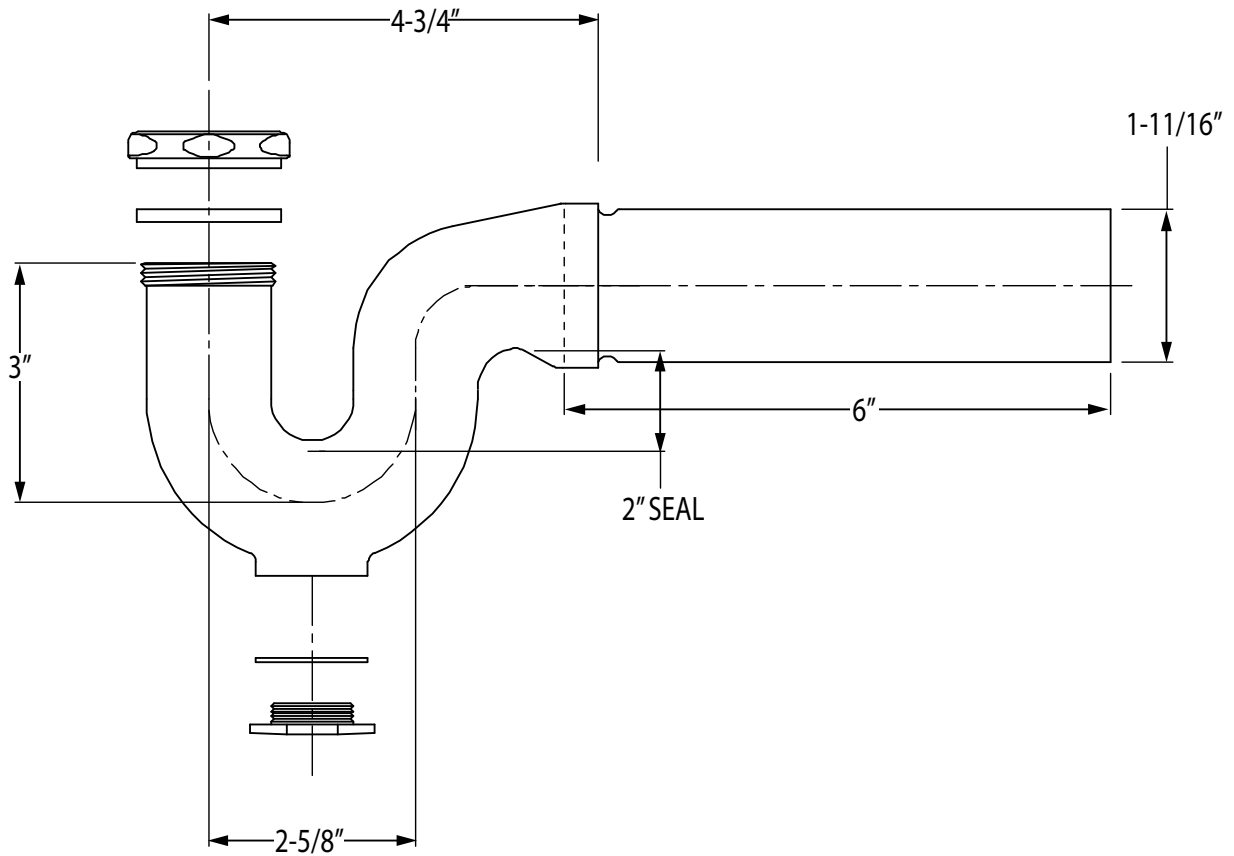
5461X6PCDF 1-1/2" x 1-1/2" or 1/4" x 1-1/2"
 with 6" Copper Extension. For Copper Connection.

All Cast Brass Trap. With Cleanout. With Captive Brass Swivel Nut and Brass Inlet. Ground Joint. Polished Chrome. Deep Escutcheon.

CROSS REFERENCE GUIDE

Keeney	Kohler	Eljer	AM. Standard	Crane	McGuire	Watts	Dearborn	Zurn
5461X6PCDF	-	-	-	-	8089CB0S6	-	-	-

ALL MEASURES IN INCHES



N.Y. Cast Brass Trap

- 385PC 1-1/2" Comp. x 1-1/2" I.P.S.
- 385-6PC 1-1/2" Comp. with 6" Extension Tube for Copper Connection

All Cast Body. Chrome Plated. With Brass Nut. Polished Chrome.

CROSS REFERENCE GUIDE

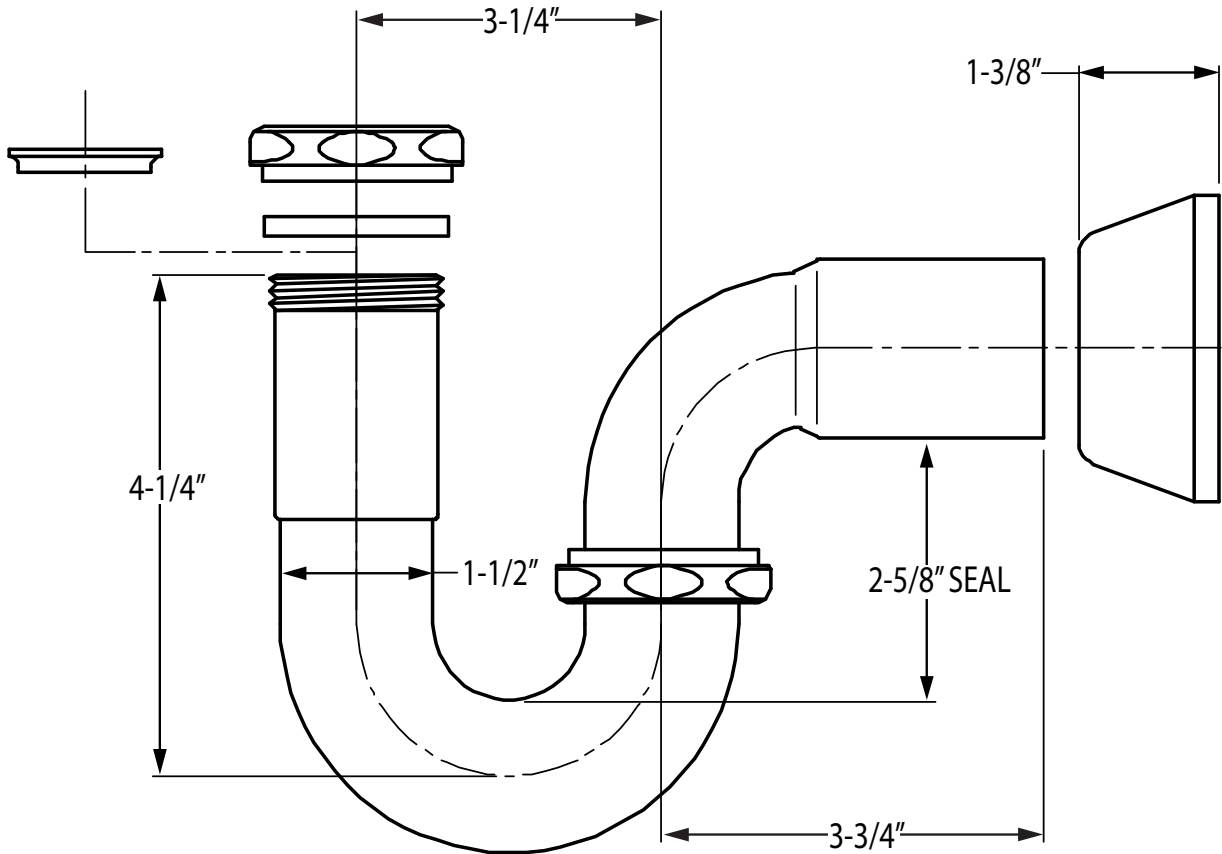
Keeney	Kohler	Eljer	AM. Standard	Crane	McGuire	Watts	Dearborn	Zurn
385PC	K-9010	804-1130	4430.013	8-5270	202	1-2-1H	-	Z8716-PC
385-6PC	-	-	-	-	202CB0S6	-	-	-



SPECIFICATION SHEETS

The Keeney Manufacturing Company
 1170 Main Street • Newington, CT 06111
 Phone: (800) 243-0526 • Fax: (860) 665-0374
 www.keeneymfg.com

ALL MEASURES IN INCHES



Washington D.C. Trap Less Cleanout

471PC 1-1/2" Trap for Copper Connection

Long Sweep Elbow. Ground Joint Brass Swivel Nut.
 Brass Inlet Nut. Deep Escutcheon. Polished Chrome.

CROSS REFERENCE GUIDE

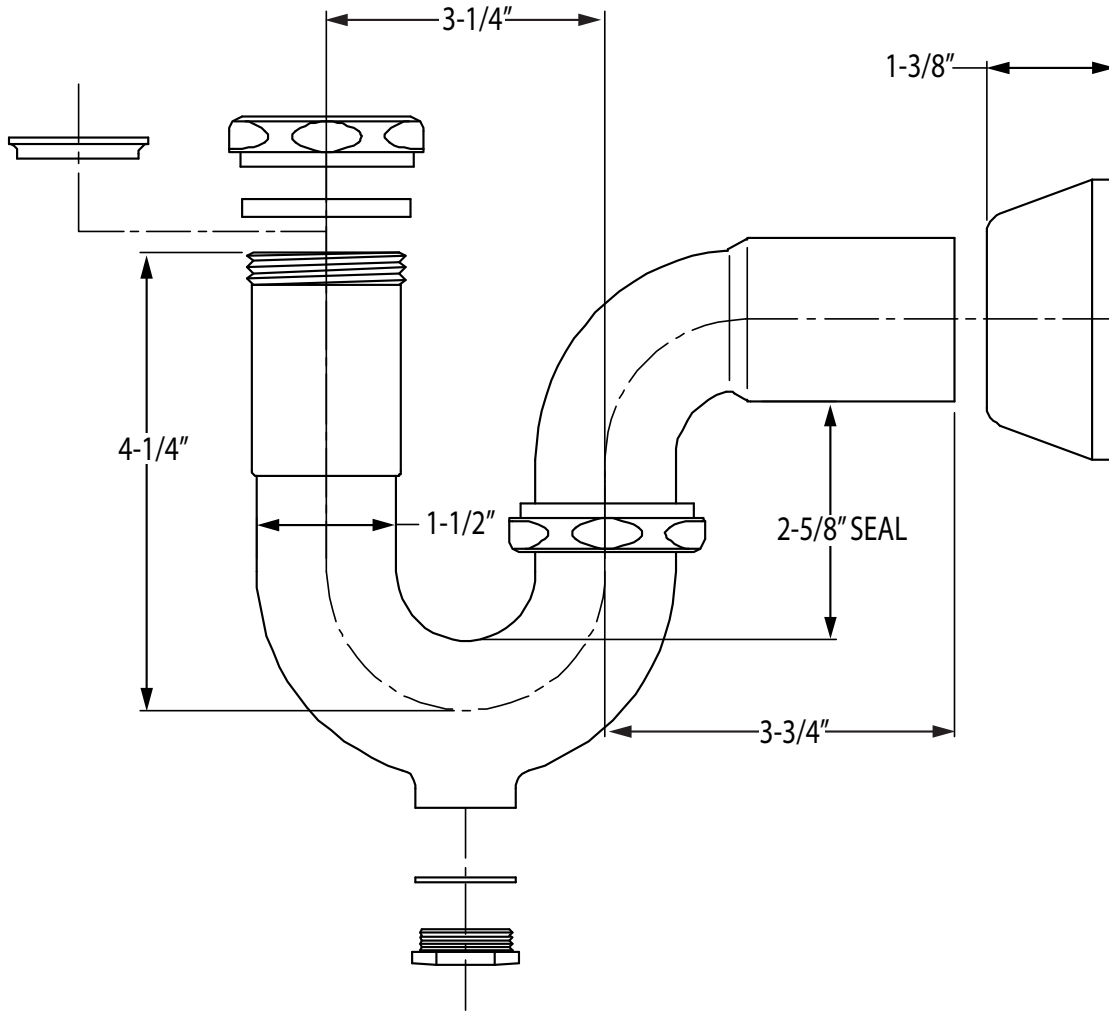
Keeney	Kohler	Eljer	AM. Standard	Crane	McGuire	Watts	Dearborn	Zurn
471PC	-	-	-	-	-	520 173	743GDFBN-1	ZR542JBD-PC



SPECIFICATION SHEETS

The Keeney Manufacturing Company
 1170 Main Street • Newington, CT 06111
 Phone: (800) 243-0526 • Fax: (860) 665-0374
 www.keeneymfg.com

ALL MEASURES IN INCHES



Washington D.C. Trap With Cleanout

473PC 1-1/2" For Copper Connection

Long Sweep Elbow. Ground Joint Brass Swivel Nut.
 Brass Inlet Nut. Deep Escutcheon. Polished Chrome.

CROSS REFERENCE GUIDE

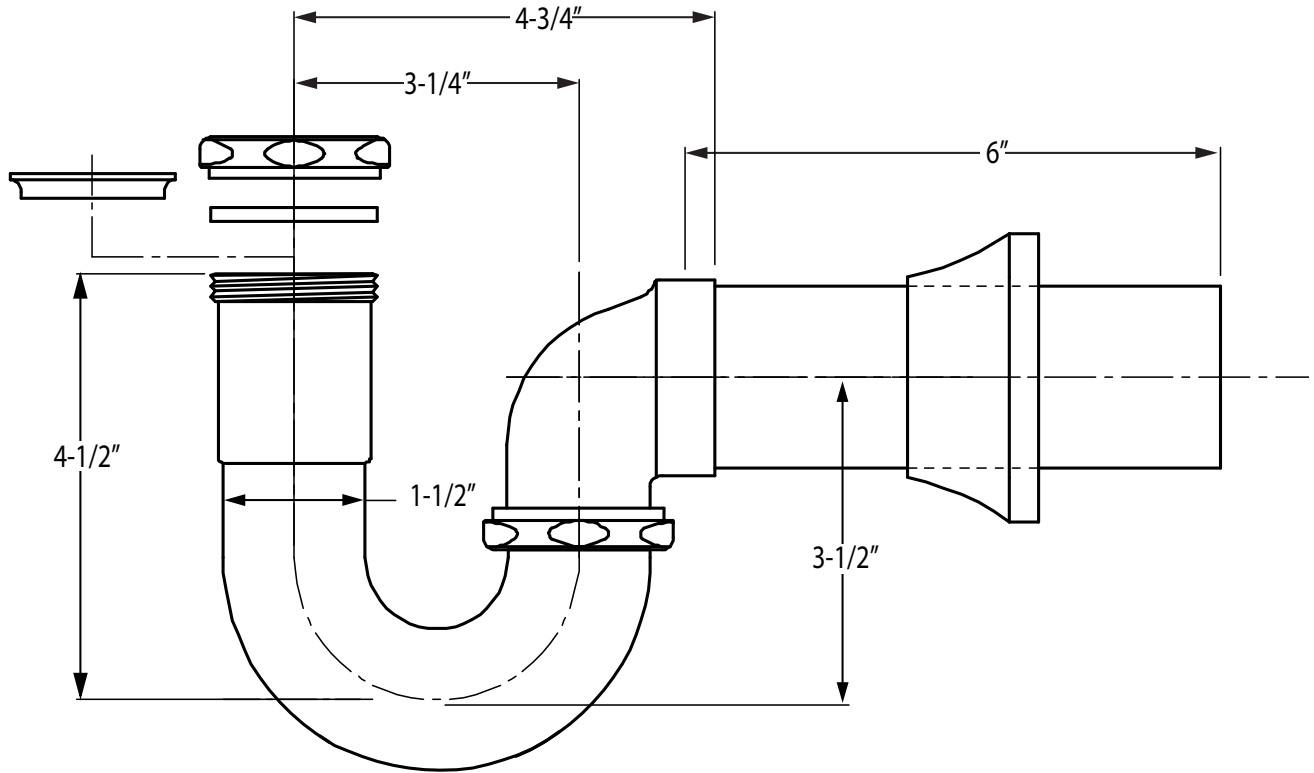
Keeney	Kohler	Eljer	AM. Standard	Crane	McGuire	Watts	Dearborn	Zurn
473PC	-	-	-	-	-	520173	747GDFBN-1	ZR546JBD-PC



SPECIFICATION SHEETS

The Keeney Manufacturing Company
 1170 Main Street • Newington, CT 06111
 Phone: (800) 243-0526 • Fax: (860) 665-0374
 www.keeneymfg.com

ALL MEASURES IN INCHES



**Tubular Brass Ground Joint Sink Trap
 Less Cleanout with 6" Extension for Copper Connection**

455XF-6PC 1-1/2" x 1-1/2" or 1-1/4" x 1-1/2"
 17 Gauge J Bend. Less Cleanout.

With Cast Brass Elbow. 6" Copper Extension.
 Captive Brass Swivel Nut. Deep Escutcheon. Polished Chrome.

CROSS REFERENCE GUIDE

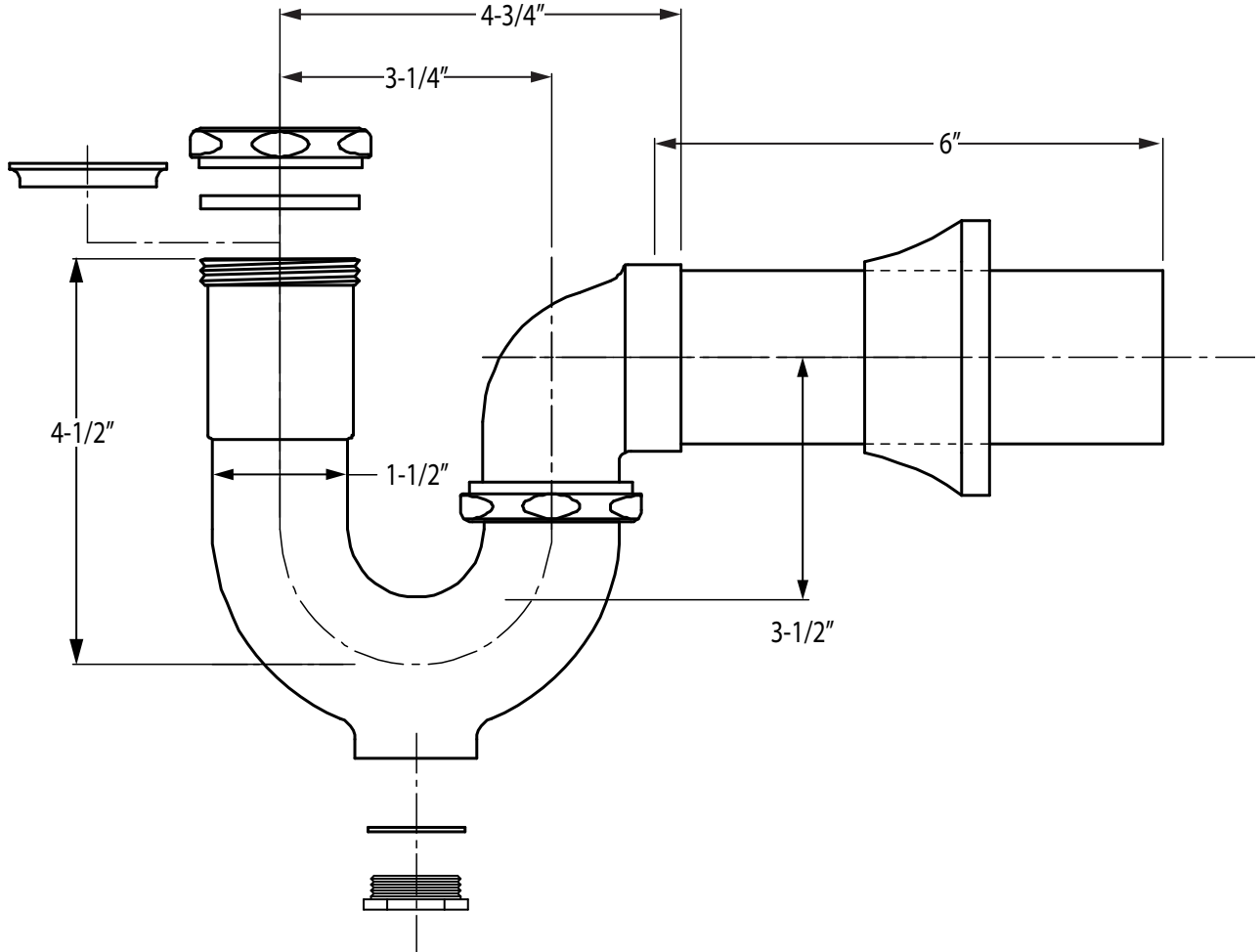
Keeney	Kohler	Eljer	AM. Standard	Crane	McGuire	Watts	Dearborn	Zurn
455XF-6PC	-	-	-	-	-	522 403	-	ZR817-6BD-PC



SPECIFICATION SHEETS

The Keeney Manufacturing Company
 1170 Main Street • Newington, CT 06111
 Phone: (800) 243-0526 • Fax: (860) 665-0374
 www.keeneymfg.com

ALL MEASURES IN INCHES



**Tubular Brass Ground Joint Sink Trap with Cleanout
 6" Extension for Copper Connection**

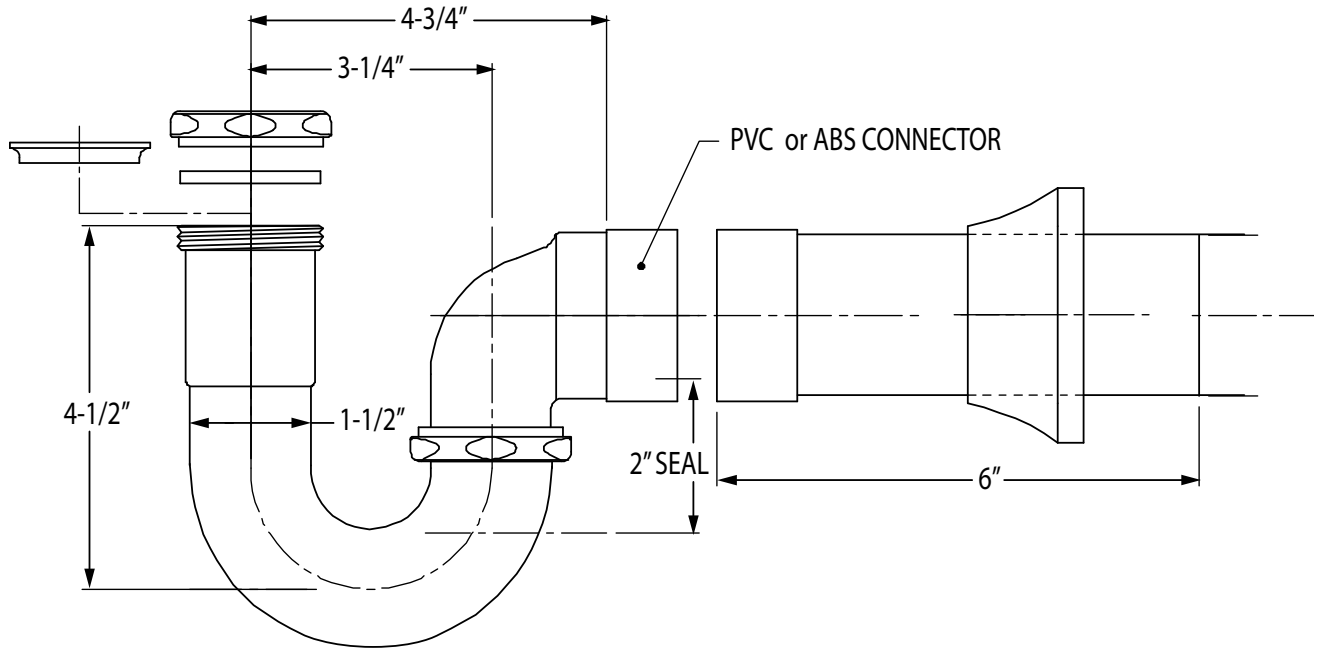
461XF-6PC 1-1/2" x 1-1/2" or 1-1/4" x 1-1/2"
 17 Gauge J Bend. With Cleanout.

With Cast Brass Elbow. 6" Copper Extension.
 Captive Brass Swivel Nut. Deep Escutcheon. Brass Inlet Nut. Polished Chrome.

CROSS REFERENCE GUIDE

Keeney	Kohler	Eljer	AM. Standard	Crane	McGuire	Watts	Dearborn	Zurn
461XF-6PC	-	-	-	-	8090CB0S6	522 603	727DFBN6-1	ZR827-6BD-PC

ALL MEASURES IN INCHES



**Tubular Brass Ground Joint Sink Trap
 for Connection to Schedule 40 Plastic**

- 455XPCPVC 1-1/2" 17 Gauge. Less Cleanout.
- 455XPCABS 1-1/2" 17 Gauge. Less Cleanout.

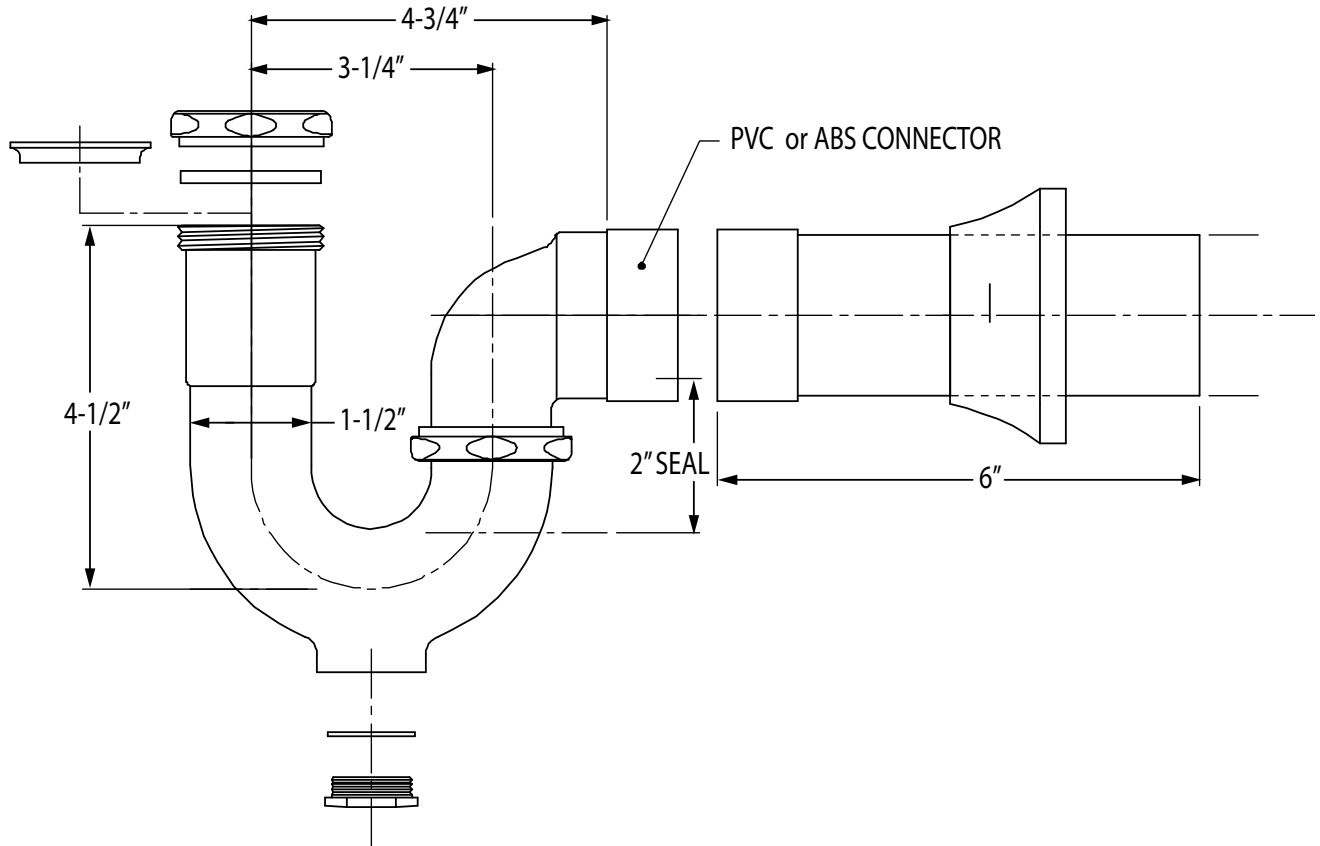
With Cast Brass Elbow. Fitted with Plastic Adapter for Solvent Weld Connection. Captive Brass Swivel Nut Swedged Cover Tube. 2" O.D. Shallow Escutcheon. Brass Inlet Nut. Polished Chrome.

For 2" Box Escutcheon - Add Suffix "869"

CROSS REFERENCE GUIDE

Keeney	Kohler	Eljer	AM. Standard	Crane	McGuire	Watts	Dearborn	Zurn
455XPCPVC	-	-	-	-	-	522-403	730GPBN-6-1	ZR530PJ-6B-PC
455XPCABS	-	-	-	-	-	522-433	730GABN-6-1	ZR530PJ-6BA-PC

ALL MEASURES IN INCHES



Tubular Brass Ground Joint Sink Trap for Connection to Schedule 40 Plastic

- 461XPCPVC 1-1/2" 17 Gauge. With Cleanout.
- 461XPCABS 1-1/2" 17 Gauge. With Cleanout.

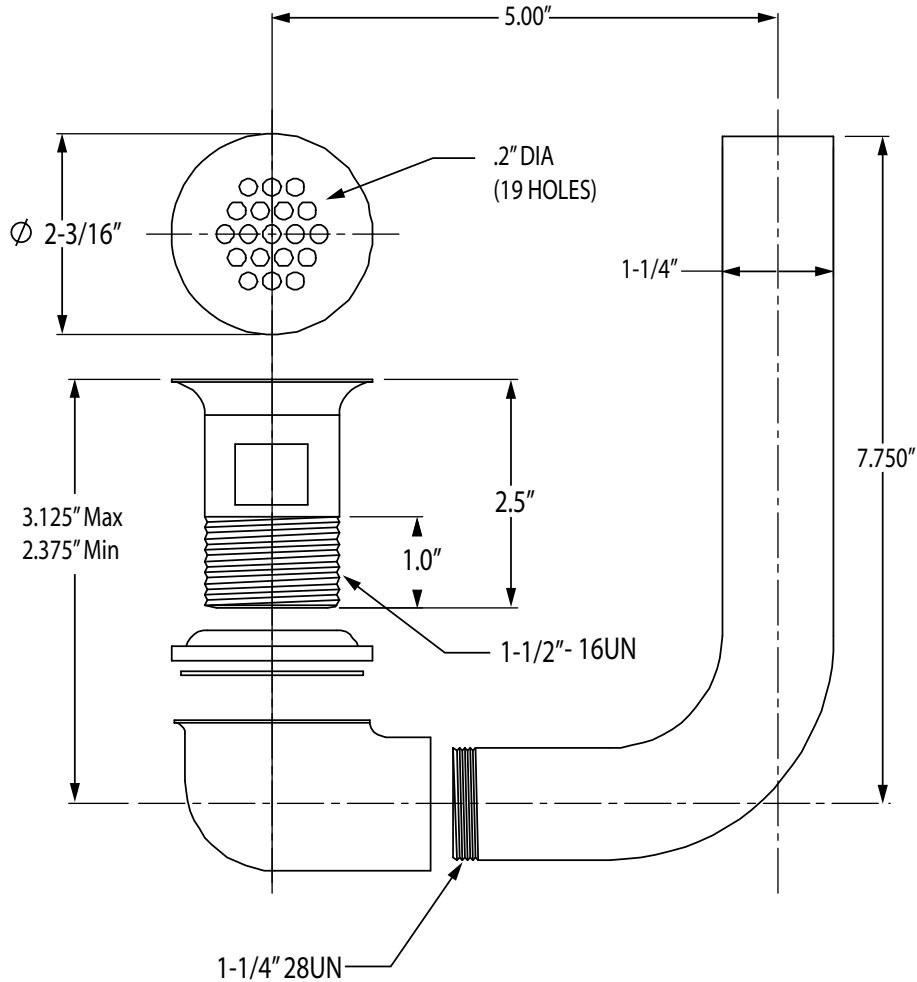
With Cast Brass Elbow. Fitted with Plastic Adapter for Solvent Weld Connection. Captive Brass Swivel Nut Swedged Cover Tube. 2" O.D. Shallow Escutcheon. Brass Inlet Nut. Polished Chrome.

For 2" Box Escutcheon - Add Suffix "869PC"

CROSS REFERENCE GUIDE

Keeney	Kohler	Eljer	AM. Standard	Crane	McGuire	Watts	Dearborn	Zurn
461XPCPVC	-	-	-	-	-	522-603	732GBN-6-1	ZR532PJ-6B-PC
461XPCABS	-	-	-	-	-	522-633	732GABN-6-1	ZR532PJ-6BA-PC

ALL MEASURES IN INCHES



Lavatory Offset Strainer

5700PC 1-1/4" Cast Brass Open Grid Lavatory Offset Strainer

Polished Chrome Wheelchair Lavatory Offset Strainer. Open Grid Strainer. With 1-1/4" O.D. Offset Threaded Tailpiece. 17 Gauge.

CROSS REFERENCE GUIDE

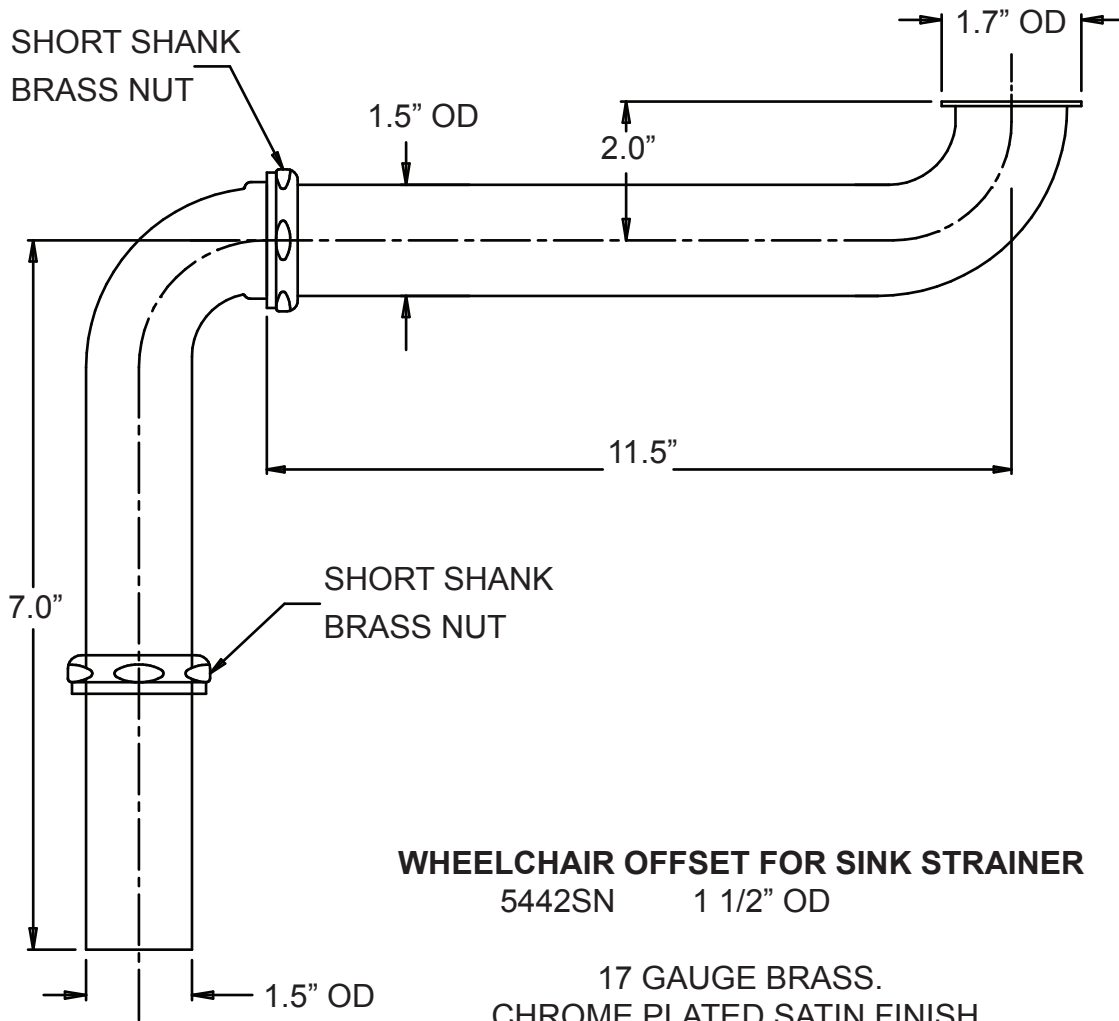
Keeney	Kohler	Eljer	AM. Standard	Crane	McGuire	Watts	Dearborn	Zurn
5700PC	K-13885	803-0530	7723.018	-	155-WCECO	628 203WC	760W-1	Z8746-PC
5700PCCR	K-13885	803-0530	7723.018	-	155-WCECO	628 203WC	760W-1	Z8746-PC



SPECIFICATION SHEETS

The Keeney Manufacturing Company
 1170 Main Street · Newington, CT 06111
 Phone: (800) 243-0526 · Fax: (860) 665-0374
 www.keeneymfg.com

ALL MEASURES IN INCHES



WHEELCHAIR OFFSET FOR SINK STRAINER

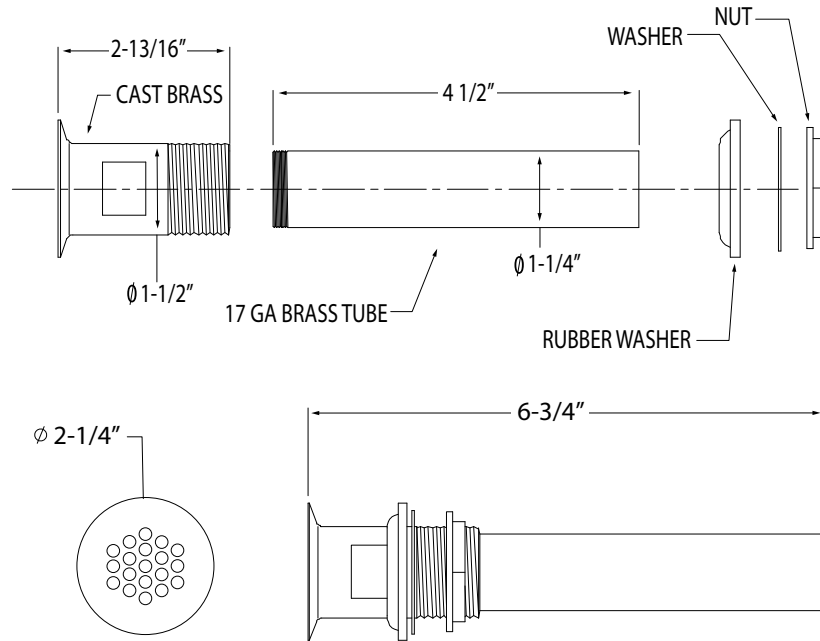
5442SN 1 1/2" OD

17 GAUGE BRASS.
 CHROME PLATED SATIN FINISH.
 INCLUDES NUTS AND WASHERS.
 ADA COMPLIANT.

CROSS REFERENCE GUIDE

Keeney	5442SN
Eljer	-
Kohler	-
AM. Standard	-
Crane	-
McGuire	1000WC
Watts	-
Dearborn	-
Zurn	Z8747-PC
Brasscraft	-

ALL MEASURES IN INCHES



P.O. Plug

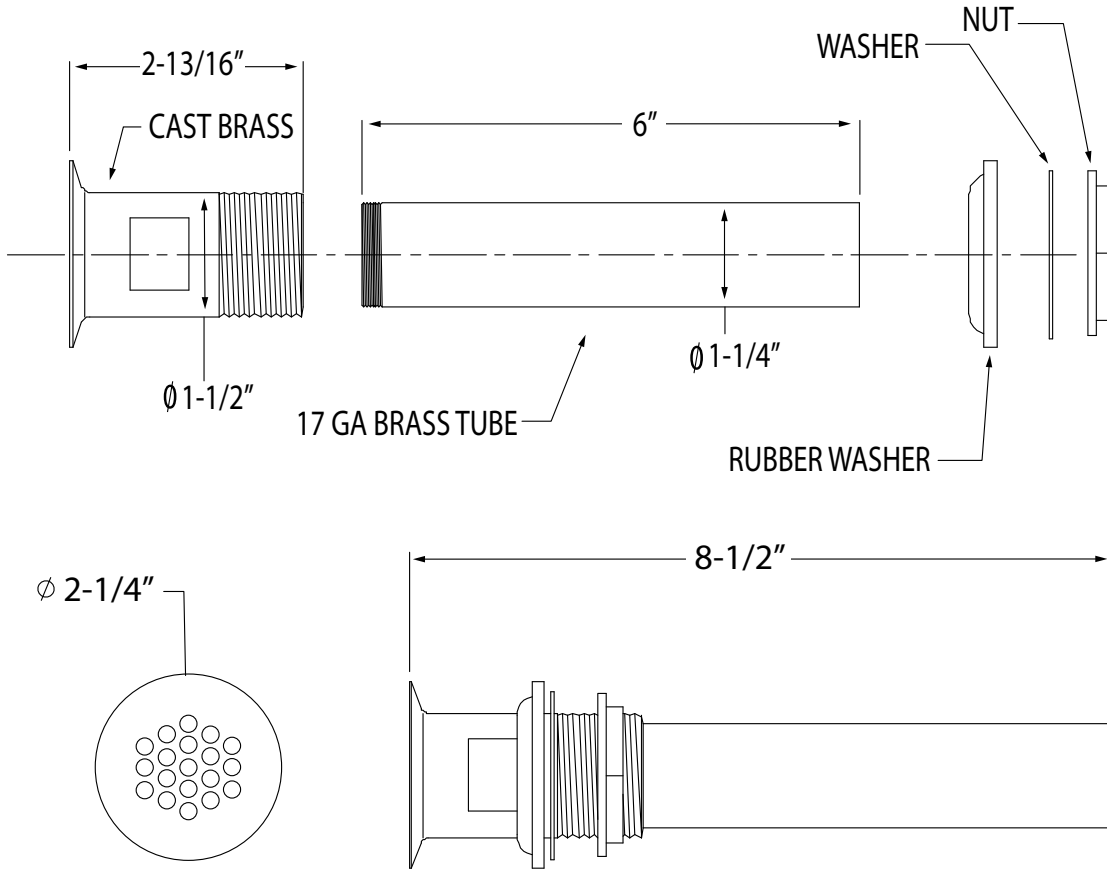
5680PC 1-1/4" Cast Brass Open Grid Strainer

Polished Chrome Cast Brass P.O. Plug Open Grid Strainer
 with 1-1/4" O.D. Threaded Tailpiece. 17 Gauge.

CROSS REFERENCE GUIDE

Keeney	Kohler	Eljer	AM. Standard	Crane	McGuire	Watts	Dearborn	Zurn
5680PC	K-7715	803-0552	2411.015	8-5222	155AECO	-	760-1	Z8743-PC
5680PCCR	K-7715	803-0552	2411.015	8-5222	155AECO	-	760-1	Z8743-PC

ALL MEASURES IN INCHES



**Cast Brass
 Lavatory Grid Strainer**

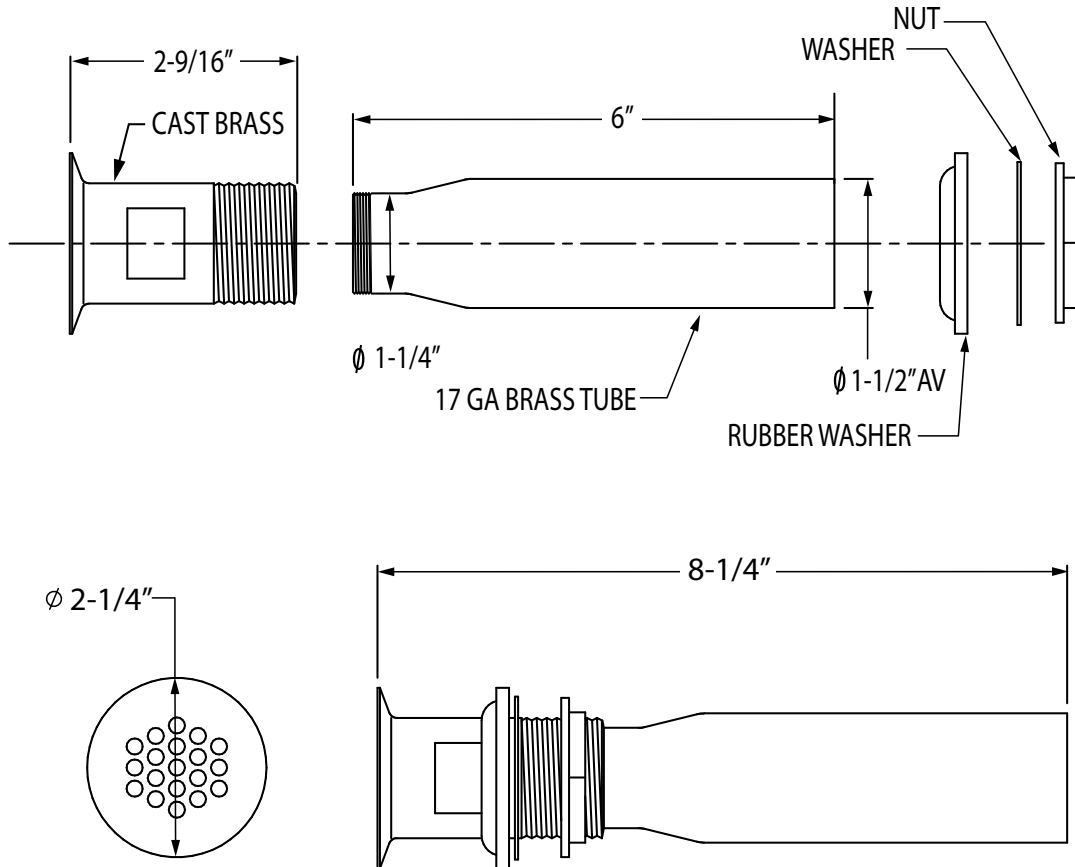
5681PC 1-1/4" x 8"

Polished Chrome. With Open Grid Strainer. 6" 17 Gauge Tailpiece.

CROSS REFERENCE GUIDE

Keeney	Kohler	Eljer	AM. Standard	Crane	McGuire	Watts	Dearborn	Zurn
5681PC	-	-	-	-	155A	-	-	Z8743-6-PC

ALL MEASURES IN INCHES



Cast Brass Lavatory Grid Strainer

5682PC 1-1/4" x 1-1/2" X 6"

Polished Chrome. With Open Grid Strainer.

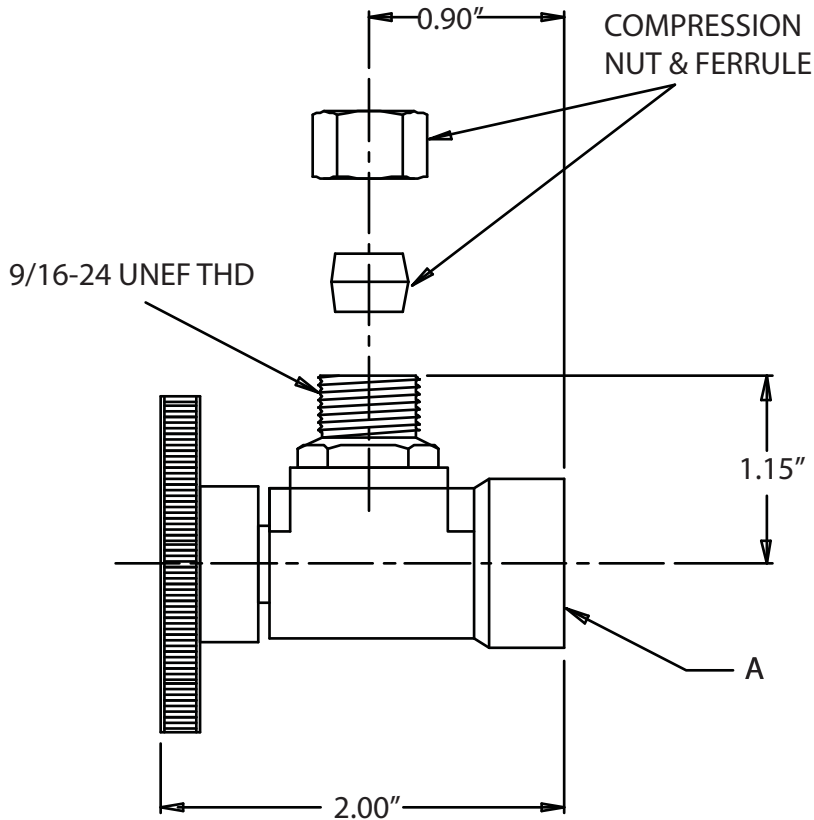
CROSS REFERENCE GUIDE

Keeney	Kohler	Eljer	AM. Standard	Crane	McGuire	Watts	Dearborn	Zurn
5682PC	-	-	-	-	155A2	639 203C	761-1	Z8743-1-PC



SPECIFICATION SHEETS

The Keeney Manufacturing Company
 1170 Main Street · Newington, CT 06111
 Phone: (800) 243-0526 · Fax: (860) 665-0374
 www.keeneymfg.com



ALL MEASURES IN INCHES

DIMENSIONS	
PART #	A
2047PC	3/8" FIP
2048PC	1/2" FIP

ANGLE QUARTER TURN VALVE FIP X COMPRESSION

- 2047PC 3/8" FEMALE IRON PIPE X 3/8" OD
- 2048PC 1/2" FEMALE IRON PIPE X 3/8" OD

CHROME PLATED BRASS.
 INCLUDES NUT AND BRASS COMPRESSION FERRULE

CROSS REFERENCE GUIDE

Keeney	2047PC	2048PC
Eljer	-	-
Kohler	-	-
AM. Standard	-	-
Crane	-	-
McGuire	STO1	STO2
Watts	BV889003	BV890003
Dearborn	-	-
Zurn	Z8800Q-PC	Z8802Q-PC
Brasscraft	KTR15C	KTR17C



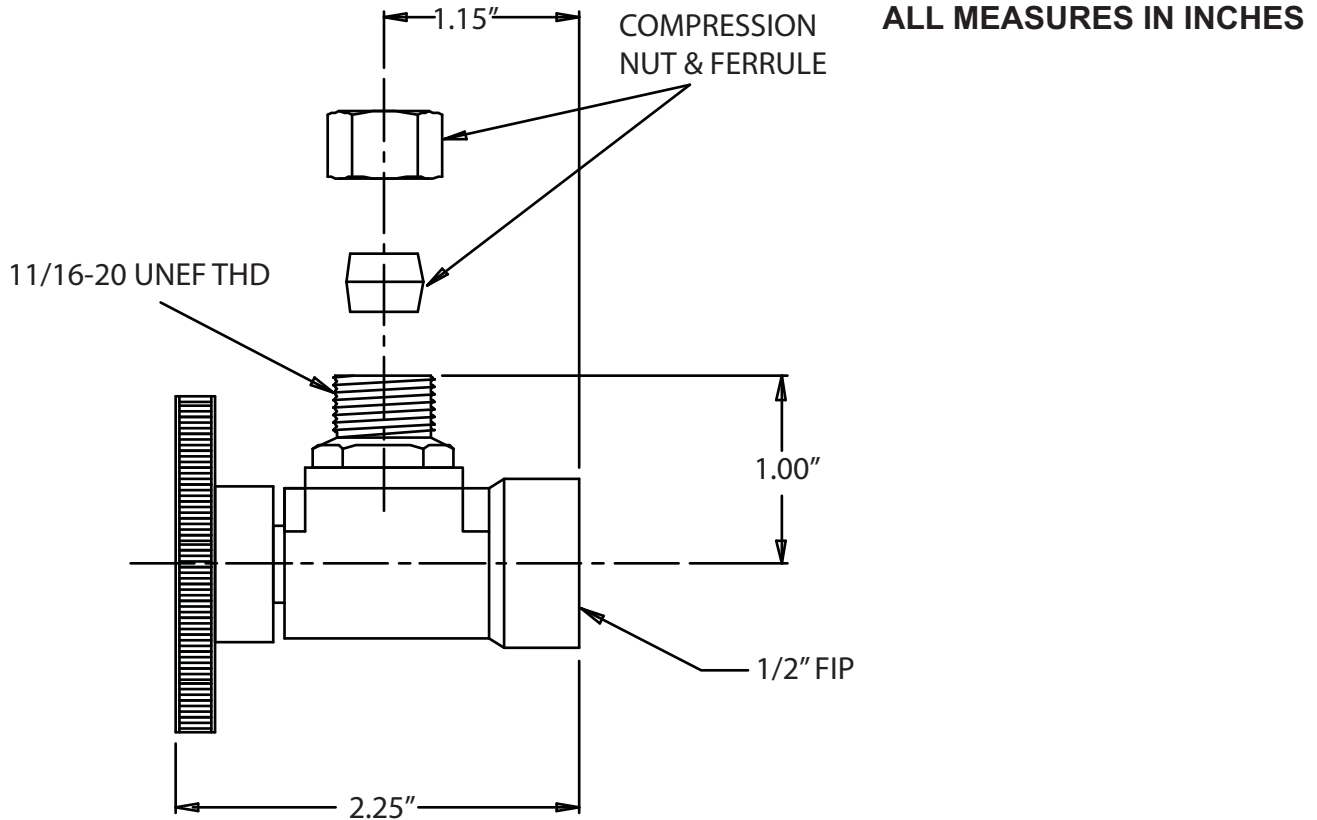
SPECIFICATION SHEETS

The Keeney Manufacturing Company

1170 Main Street · Newington, CT 06111

Phone: (800) 243-0526 · Fax: (860) 665-0374

www.keeneymfg.com



ANGLE QUARTER TURN VALVE FIP X COMPRESSION 2049PC 1/2" FEMALE IRON PIPE X 1/2" OD

CHROME PLATED BRASS.
INCLUDES NUT AND BRASS COMPRESSION FERRULE

CROSS REFERENCE GUIDE

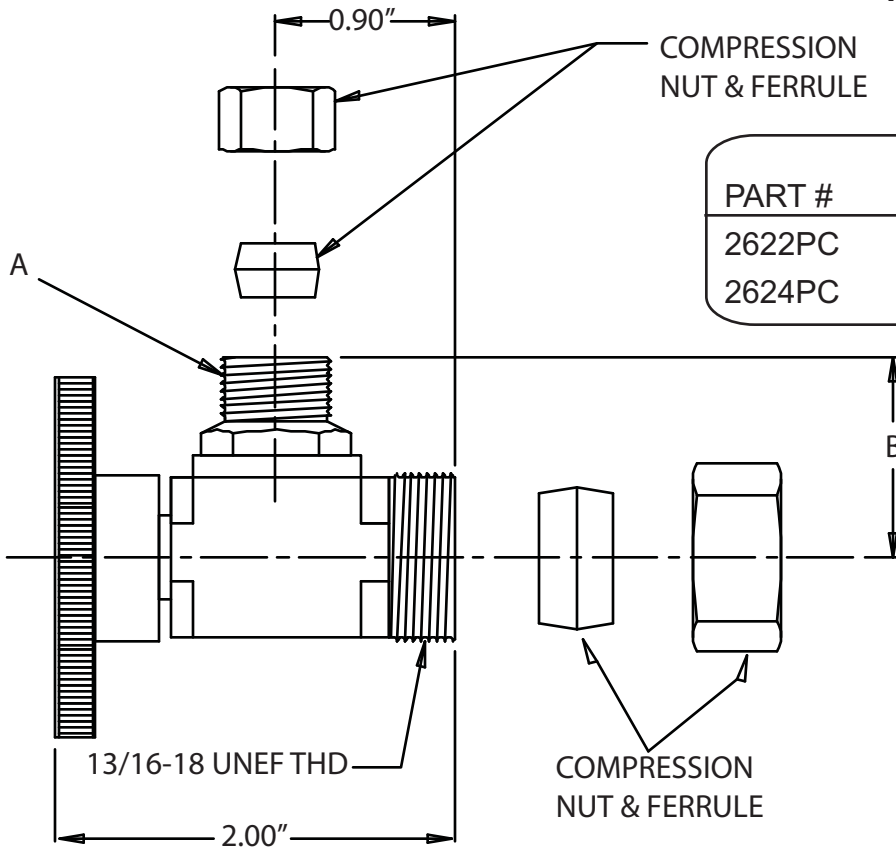
Keeney	2049PC
Eljer	-
Kohler	-
AM. Standard	-
Crane	-
McGuire	STO4
Watts	-
Dearborn	-
Zurn	Z8803Q-PC
Brasscraft	KTR37C



SPECIFICATION SHEETS

The Keeney Manufacturing Company
 1170 Main Street · Newington, CT 06111
 Phone: (800) 243-0526 · Fax: (860) 665-0374
 www.keeneymfg.com

ALL MEASURES IN INCHES



DIMENSIONS		
PART #	A	B
2622PC	9/16-24 UNEF THD	1.15"
2624PC	11/16-20 UNEF THD	0.85"

ANGLE QUARTER TURN VALVE COMPRESSION X COMPRESSION

2622PC	5/8" OD X 3/8" OD
2624PC	5/8" OD X 1/2" OD

CHROME PLATED BRASS.
 INCLUDES NUT AND BRASS COMPRESSION FERRULE

CROSS REFERENCE GUIDE

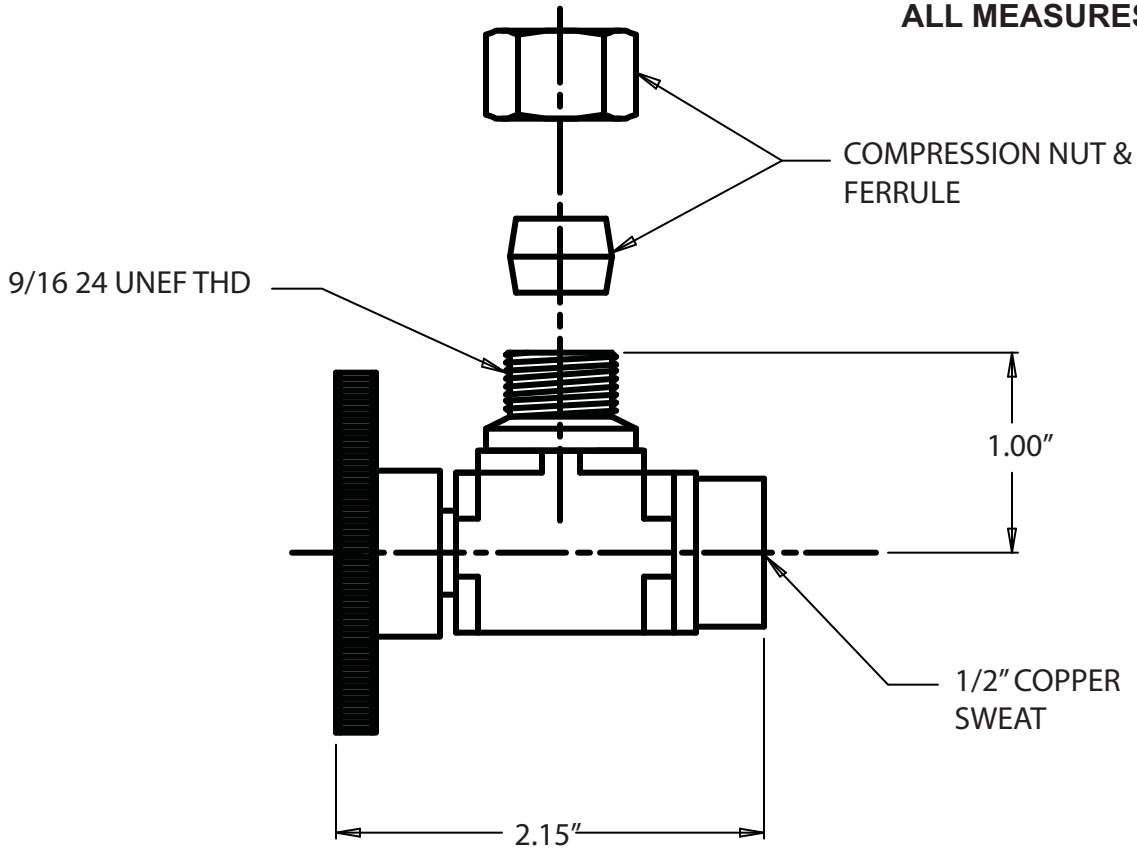
Keeney	2622PC	2624PC
Eljer	-	-
Kohler	-	-
AM. Standard	-	-
Crane	-	-
McGuire	ST09	ST084
Watts	BV894003	-
Dearborn	-	-
Zurn	Z8804Q-PC	Z8809Q-PC
Brasscraft	KTCR19C	KTCR39C



SPECIFICATION SHEETS

The Keeney Manufacturing Company
1170 Main Street · Newington, CT 06111
Phone: (800) 243-0526 · Fax: (860) 665-0374
www.keeneymfg.com

ALL MEASURES IN INCHES



ANGLE QUARTER TURN VALVE SWEAT X COMPRESSION
2780PC 1/2" COPPER SWEAT X 3/8" OD

CHROME PLATED BRASS.
INCLUDES NUT AND BRASS COMPRESSION FERRULE

CROSS REFERENCE GUIDE

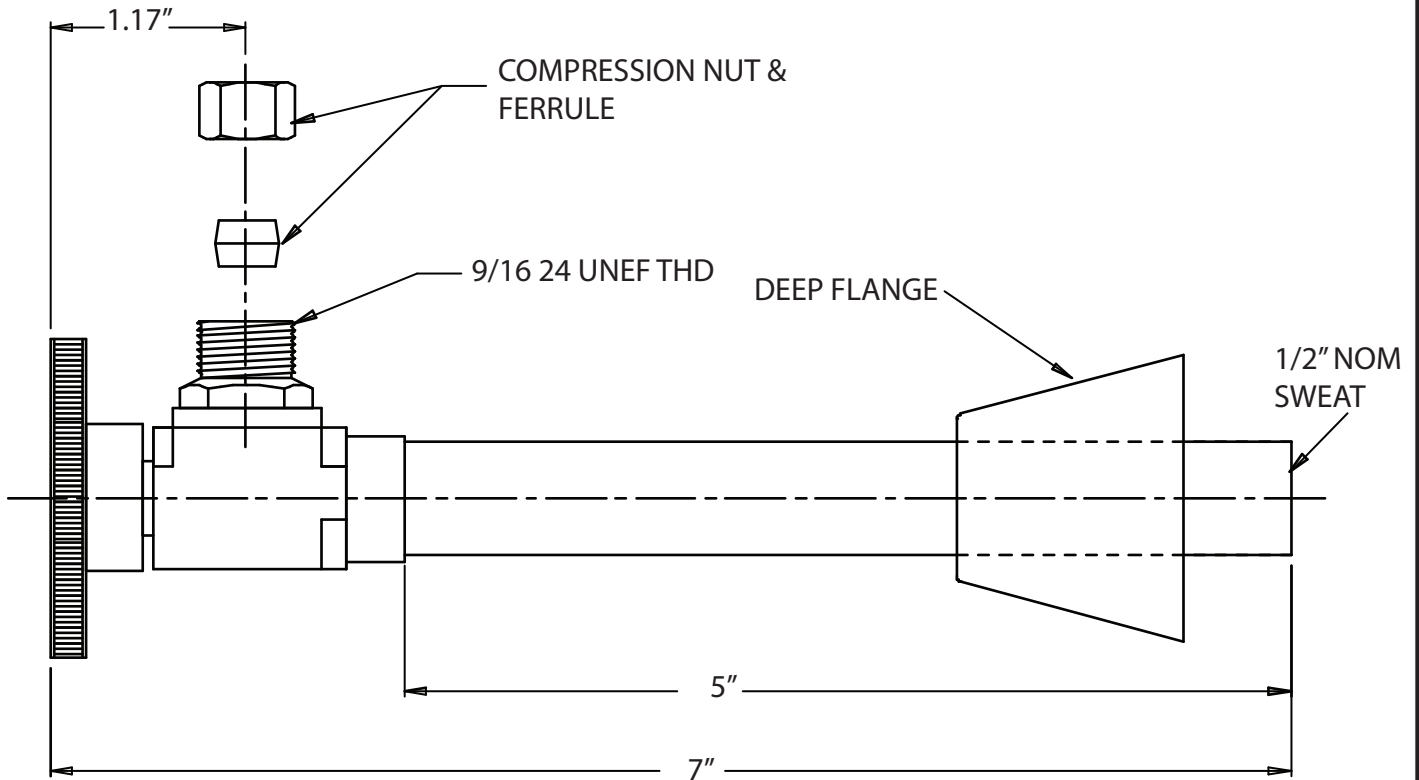
Keeney	2780PC
Eljer	-
Kohler	-
AM. Standard	-
Crane	-
McGuire	ST07
Watts	BV892003
Dearborn	-
Zurn	Z8806Q-PC
Brasscraft	KTR19C



SPECIFICATION SHEETS

The Keeney Manufacturing Company
1170 Main Street · Newington, CT 06111
Phone: (800) 243-0526 · Fax: (860) 665-0374
www.keeneymfg.com

ALL MEASURES IN INCHES



ANGLE QUARTER TURN VALVE WITH 5" EXTENSION

2100PC 1/2" NOM. SWEAT WITH 5" EXTENSION X 3/8" OD

CHROME PLATED BRASS. WITH DEEP FLANGE
INCLUDES NUT AND BRASS COMPRESSION FERRULE

CROSS REFERENCE GUIDE

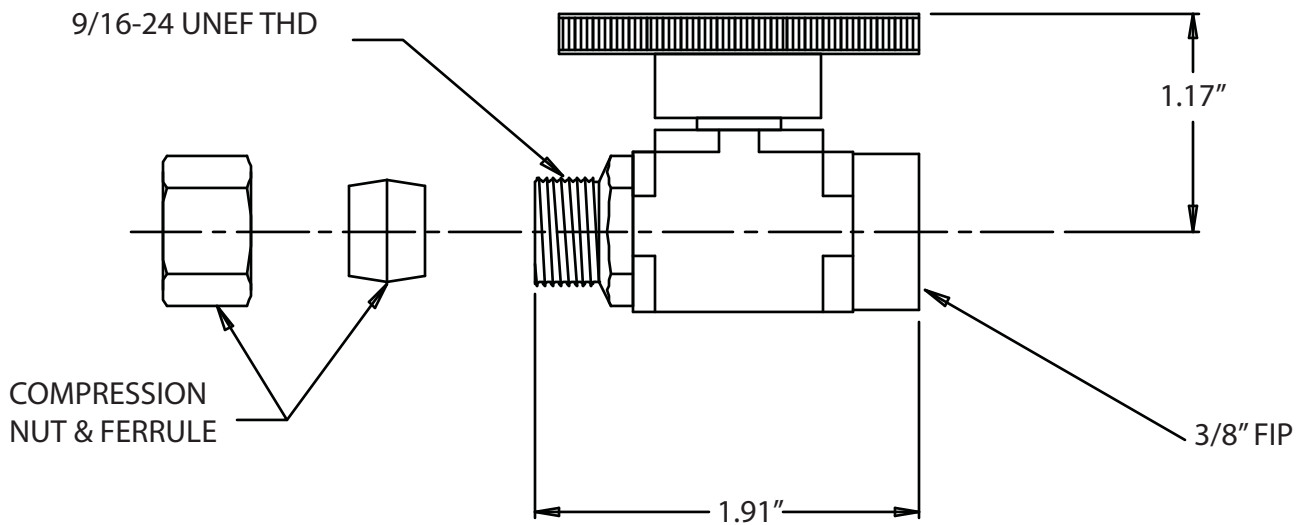
Keeney	2100PC
Eljer	-
Kohler	-
AM. Standard	-
Crane	-
McGuire	ST082
Watts	BV892503
Dearborn	-
Zurn	Z8808Q-PC
Brasscraft	KTCS40BC



SPECIFICATION SHEETS

The Keeney Manufacturing Company
1170 Main Street · Newington, CT 06111
Phone: (800) 243-0526 · Fax: (860) 665-0374
www.keeneymfg.com

ALL MEASURES IN INCHES



STRAIGHT QUARTER TURN VALVE FEMALE IRON PIPE X COMPRESSION 2055PC 3/8" FIP X 3/8" OD

CHROME PLATED BRASS.
INCLUDES NUT AND BRASS COMPRESSION FERRULE

CROSS REFERENCE GUIDE

Keeney	2055PC
Eljer	-
Kohler	-
AM. Standard	-
Crane	-
McGuire	ST11
Watts	BV889013
Dearborn	-
Zurn	Z8840Q-PC
Brasscraft	KTR10C

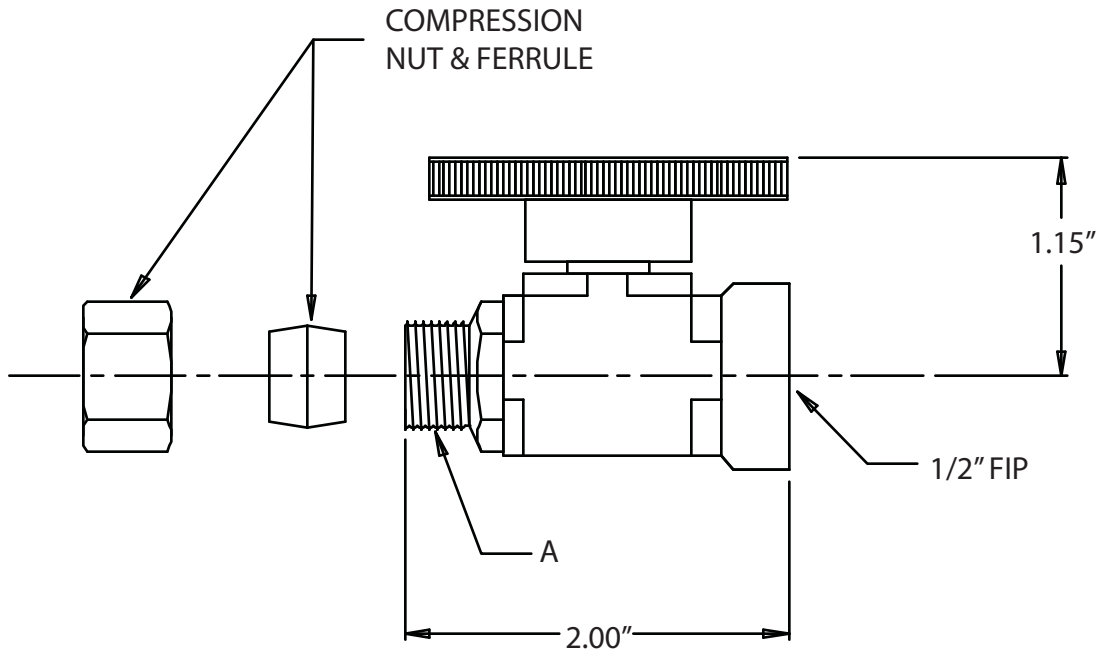


SPECIFICATION SHEETS

The Keeney Manufacturing Company
 1170 Main Street · Newington, CT 06111
 Phone: (800) 243-0526 · Fax: (860) 665-0374
 www.keeneymfg.com

DIMENSIONS	
PART #	A
2058PC	9/16-24 UNEF THD
2059PC	11/16-20 UNEF THD

ALL MEASURES IN INCHES



STRAIGHT QUARTER TURN VALVE FEMALE IRON PIPE X COMPRESSION

- 2058PC 1/2" FIP X 3/8" OD
- 2059PC 1/2" FIP X 1/2" OD

CHROME PLATED BRASS.
 INCLUDES NUT AND BRASS COMPRESSION FERRULE

CROSS REFERENCE GUIDE

Keeney	2058PC	2059PC
Eljer	-	-
Kohler	-	-
AM. Standard	-	-
Crane	-	-
McGuire	ST12	ST14
Watts	BV890013	-
Dearborn	-	-
Zurn	Z8841Q-PC	Z8843Q-PC
Brasscraft	KTR12C	-

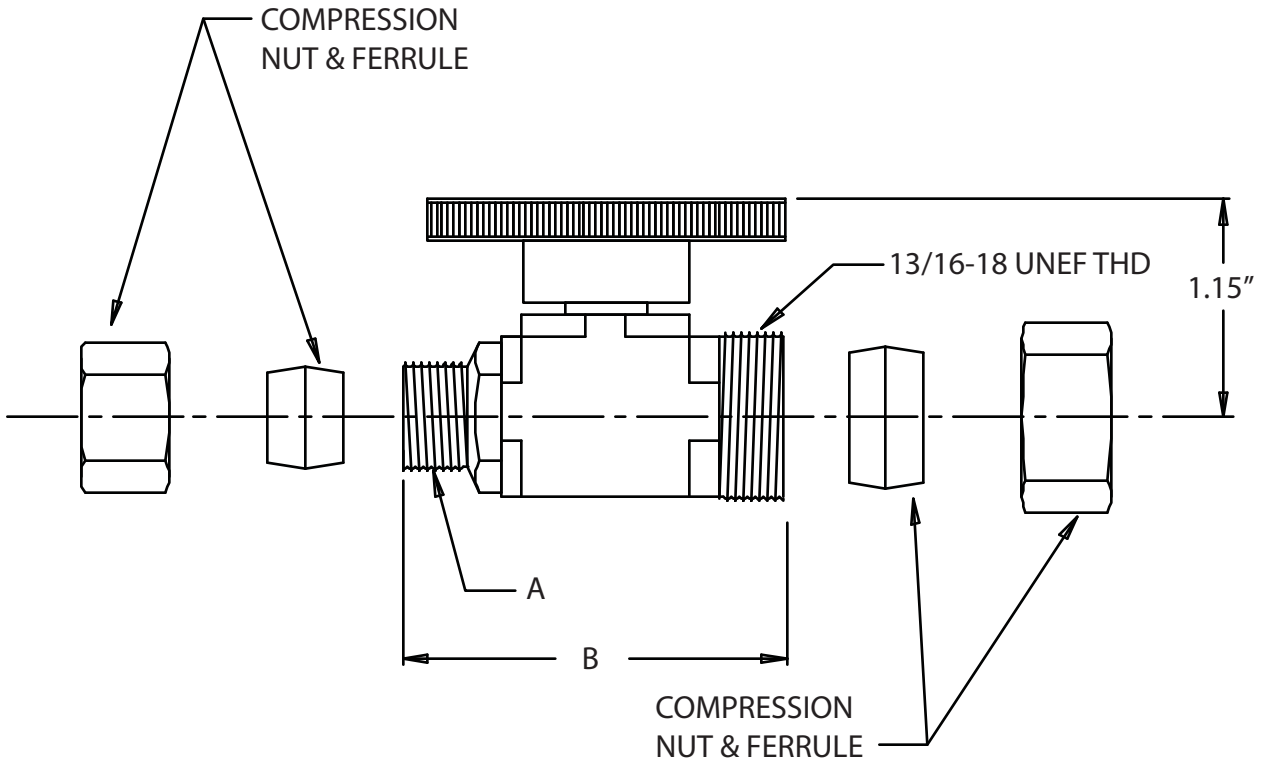


SPECIFICATION SHEETS

The Keeney Manufacturing Company
 1170 Main Street · Newington, CT 06111
 Phone: (800) 243-0526 · Fax: (860) 665-0374
 www.keeneymfg.com

PART #	DIMENSIONS	
	A	B
2068PC	9/16-24 UNEF THD	2.00"
2069PC	11/16-20 UNEF THD	1.90"

ALL MEASURES IN INCHES



STRAIGHT QUARTER TURN VALVE COMPRESSION X COMPRESSION

2068PC	5/8" OD X 3/8" OD
2069PC	5/8" OD X 1/2" OD

CHROME PLATED BRASS.
 INCLUDES NUTS AND BRASS COMPRESSION FERRULES

CROSS REFERENCE GUIDE

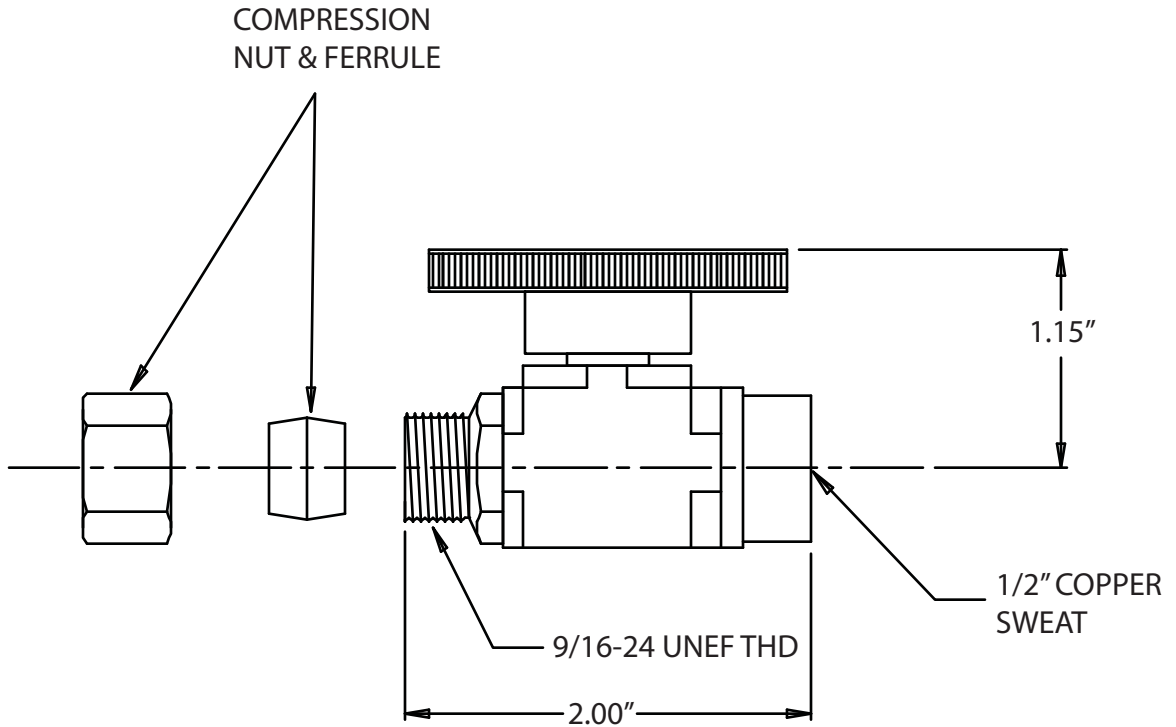
Keeney	2068PC	2069PC
Eljer	-	-
Kohler	-	-
AM. Standard	-	-
Crane	-	-
McGuire	ST17	ST18
Watts	BV894013	-
Dearborn	-	-
Zurn	Z8848Q-PC	Z8849Q-PC
Brasscraft	KTCR14C	KTCR34C



SPECIFICATION SHEETS

The Keeney Manufacturing Company
1170 Main Street · Newington, CT 06111
Phone: (800) 243-0526 · Fax: (860) 665-0374
www.keeneymfg.com

ALL MEASURES IN INCHES



STRAIGHT QUARTER TURN VALVE SWEAT X COMPRESSION 2781PC 1/2" COPPER SWEAT X 3/8" OD

CHROME PLATED BRASS.
INCLUDES NUT AND BRASS COMPRESSION FERRULE

CROSS REFERENCE GUIDE

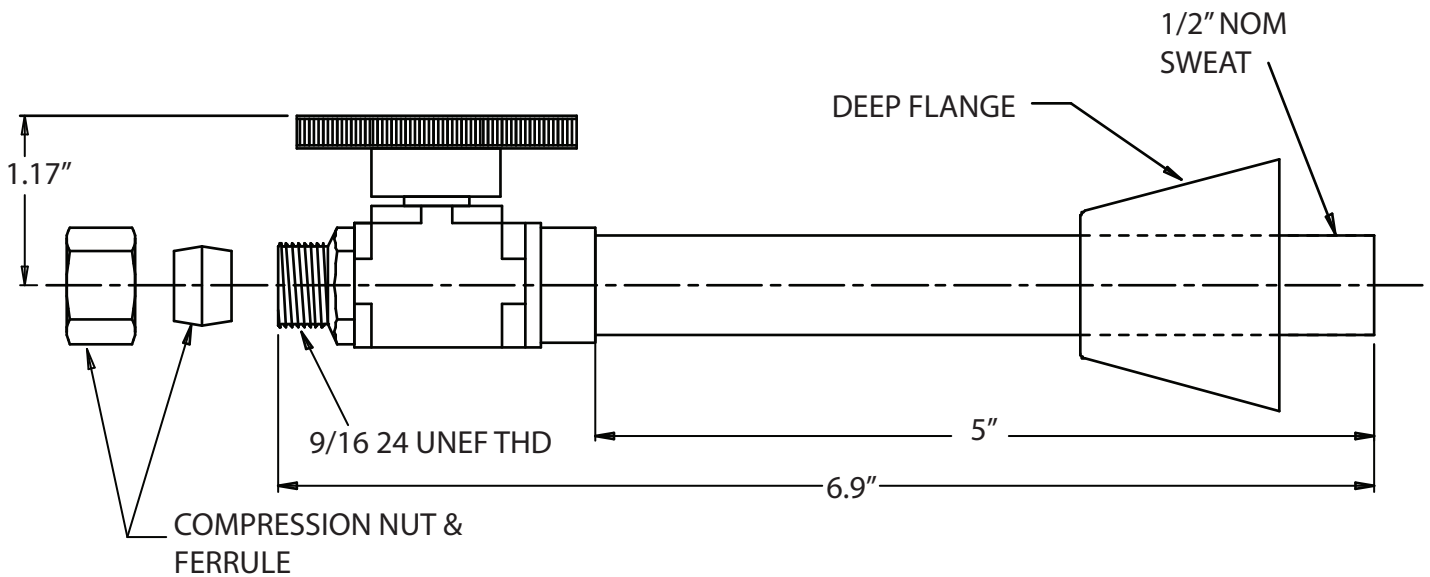
Keeney	2781PC
Eljer	-
Kohler	-
AM. Standard	-
Crane	-
McGuire	ST16
Watts	BV892013
Dearborn	-
Zurn	Z8846Q-PC
Brasscraft	KTR14C



SPECIFICATION SHEETS

The Keeney Manufacturing Company
1170 Main Street · Newington, CT 06111
Phone: (800) 243-0526 · Fax: (860) 665-0374
www.keeneymfg.com

ALL MEASURES IN INCHES



STRAIGHT QUARTER TURN VALVE WITH 5" EXTENSION

2101PC 1/2" NOM. SWEAT WITH 5" EXTENSION X 3/8" OD

CHROME PLATED BRASS. WITH DEEP FLANGE
INCLUDES NUT AND BRASS COMPRESSION FERRULE

CROSS REFERENCE GUIDE

Keeney	2101PC
Eljer	-
Kohler	-
AM. Standard	-
Crane	-
McGuire	ST182
Watts	BV892513
Dearborn	-
Zurn	-
Brasscraft	KTCS41BC



SPECIFICATION SHEETS

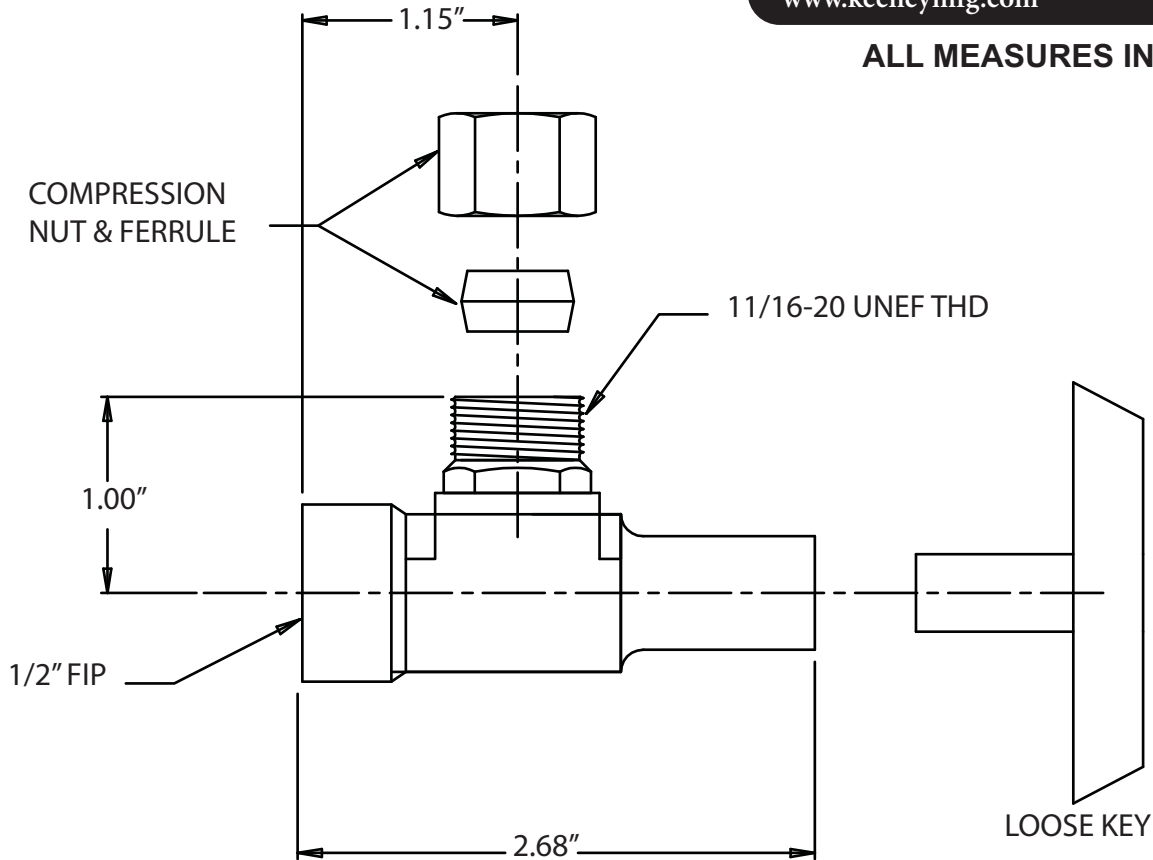
The Keeney Manufacturing Company

1170 Main Street · Newington, CT 06111

Phone: (800) 243-0526 · Fax: (860) 665-0374

www.keeneymfg.com

ALL MEASURES IN INCHES



ANGLE QUARTER TURN LOOSE KEY VALVE FIP X COMPRESSION

2049PCLK 1/2" FEMALE IRON PIPE X 1/2" OD

CHROME PLATED BRASS.
INCLUDES NUT AND BRASS COMPRESSION FERRULE

CROSS REFERENCE GUIDE

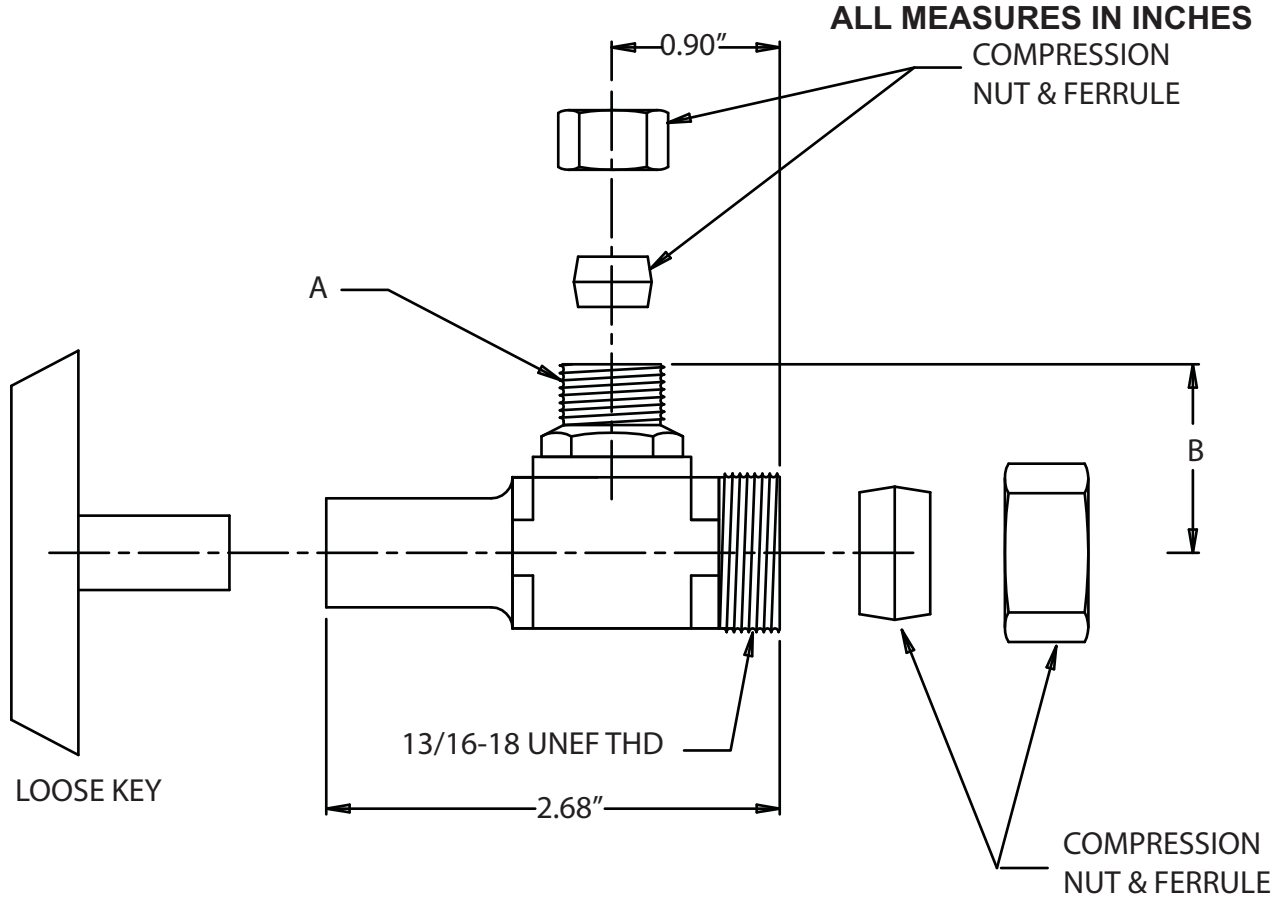
Keeney	2049PCLK
Eljer	-
Kohler	-
AM. Standard	-
Crane	-
McGuire	STO4LK
Watts	-
Dearborn	-
Zurn	Z8803LKQ-PC
Brasscraft	KTSR37C



SPECIFICATION SHEETS

The Keeney Manufacturing Company
 1170 Main Street · Newington, CT 06111
 Phone: (800) 243-0526 · Fax: (860) 665-0374
 www.keeneymfg.com

PART #	DIMENSIONS	
	A	B
2622PCLK	9/16-24 UNEF THD	1.15"
2624PCLK	11/16-20 UNEF THD	0.85"



ANGLE QUARTER TURN LOOSE KEY VALVE COMPRESSION X COMPRESSION

2622PCLK 5/8" OD X 3/8" OD
 2624PCLK 5/8" OD X 1/2" OD

CHROME PLATED BRASS.
 INCLUDES NUTS AND BRASS COMPRESSION FERRULES

CROSS REFERENCE GUIDE

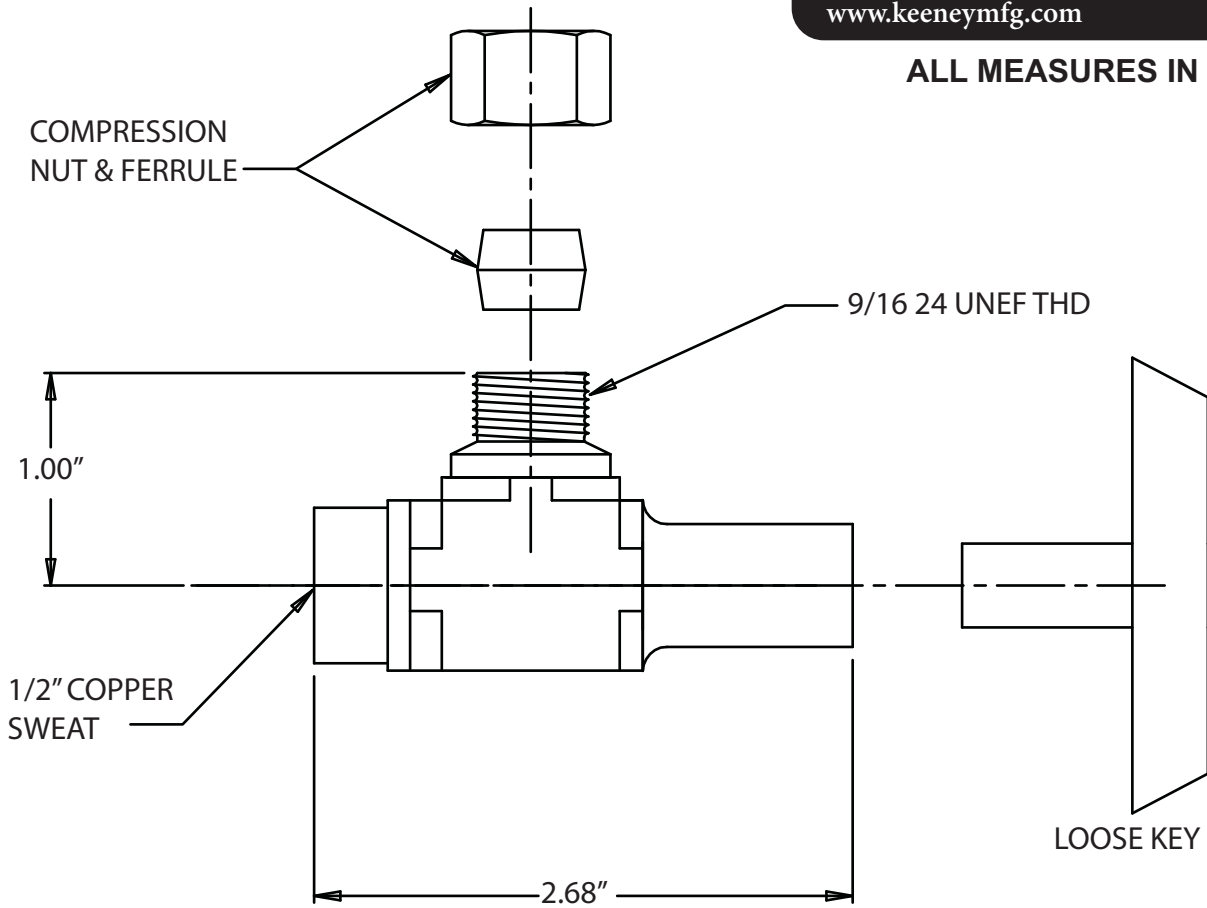
Keeney	2622PCLK	2624PCLK
Eljer	-	-
Kohler	-	-
AM. Standard	-	-
Crane	-	-
McGuire	ST09LK	ST084LK
Watts	BV8940LK	-
Dearborn	-	-
Zurn	Z8804LKQ-PC	Z8809LKQ-PC
Brasscraft	KTSCR19C	KTSCR39C



SPECIFICATION SHEETS

The Keeney Manufacturing Company
1170 Main Street · Newington, CT 06111
Phone: (800) 243-0526 · Fax: (860) 665-0374
www.keeneymfg.com

ALL MEASURES IN INCHES



ANGLE QUARTER TURN LOOSE KEY VALVE SWEAT X COMPRESSION

2780PCLK 1/2" COPPER SWEAT X 3/8" OD

CHROME PLATED BRASS.
INCLUDES NUT AND BRASS COMPRESSION FERRULE

CROSS REFERENCE GUIDE

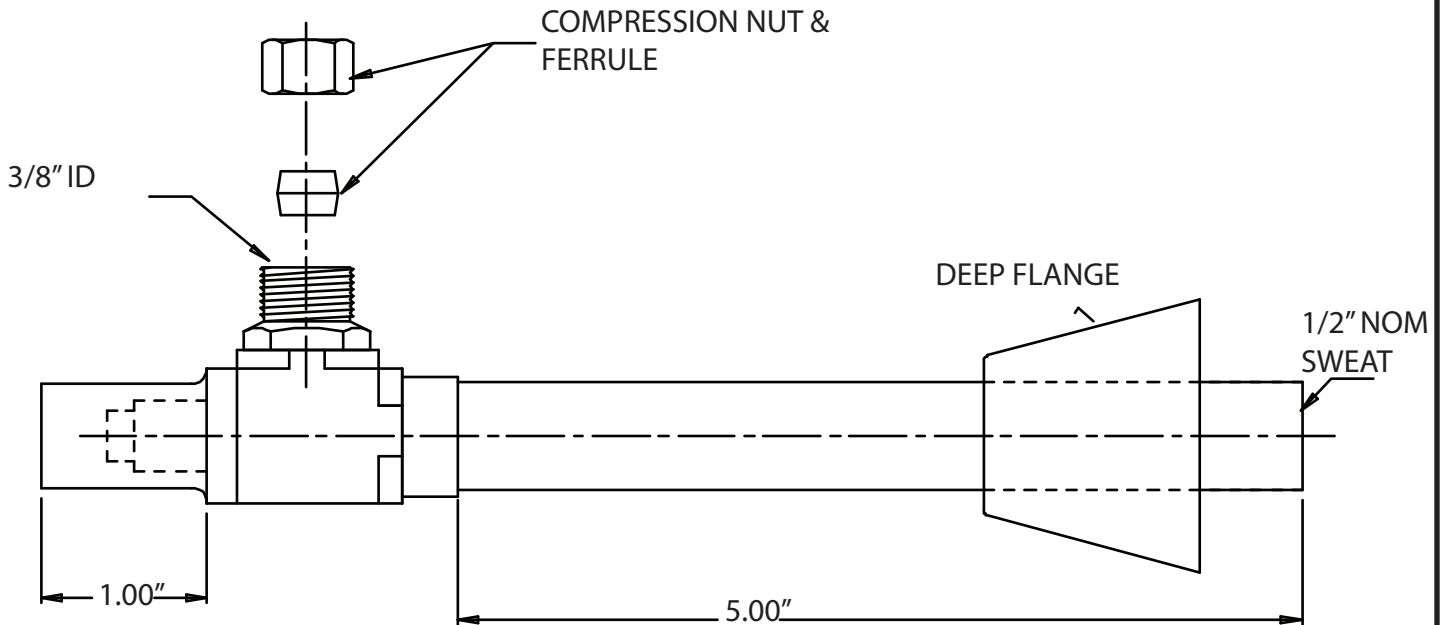
Keeney	2780PCLK
Eljer	-
Kohler	-
AM. Standard	-
Crane	-
McGuire	ST07LK
Watts	-
Dearborn	-
Zurn	Z8806LKQ-PC
Brasscraft	KTSR19C



SPECIFICATION SHEETS

The Keeney Manufacturing Company
1170 Main Street · Newington, CT 06111
Phone: (800) 243-0526 · Fax: (860) 665-0374
www.keeneymfg.com

ALL MEASURES IN INCHES



ANGLE QUARTER TURN LOOSE KEY VALVE WITH 5" EXTENSION

2100PCLK 1/2" NOM. SWEAT WITH 5" EXTENSION X 3/8" OD

CHROME PLATED BRASS. WITH DEEP FLANGE
INCLUDES NUT AND BRASS COMPRESSION FERRULE

CROSS REFERENCE GUIDE

Keeney	2100PCLK
Eljer	-
Kohler	-
AM. Standard	-
Crane	-
McGuire	ST082LK
Watts	-
Dearborn	-
Zurn	Z8808LKQ-PC
Brasscraft	KTSCS40BC

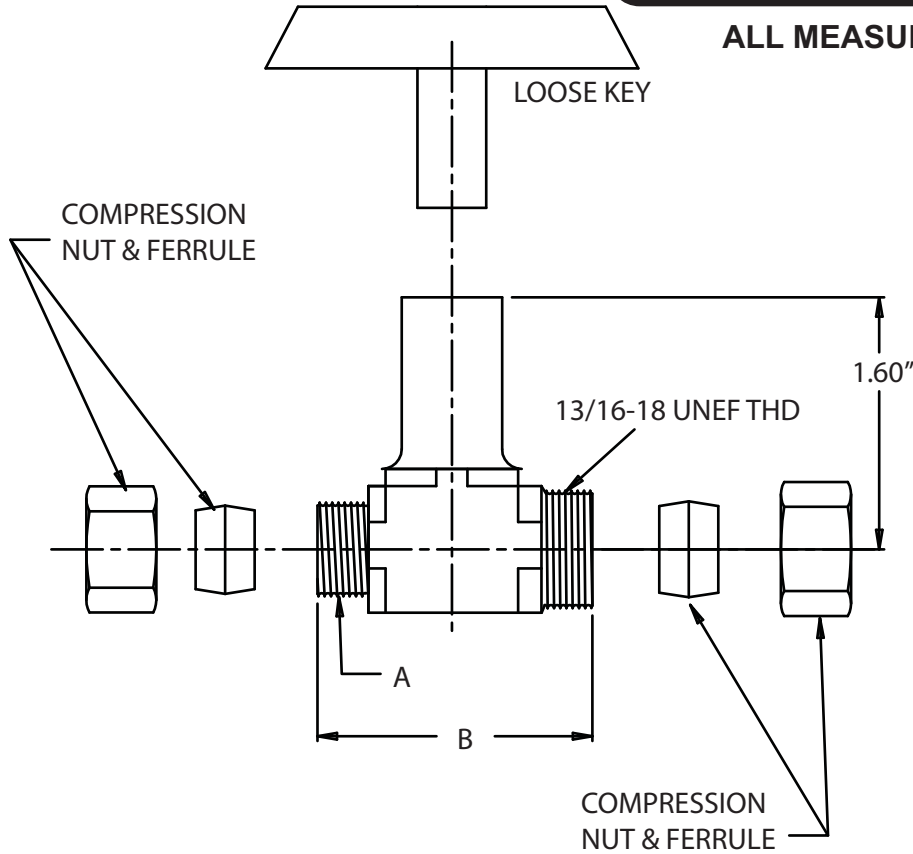


SPECIFICATION SHEETS

The Keeney Manufacturing Company
 1170 Main Street · Newington, CT 06111
 Phone: (800) 243-0526 · Fax: (860) 665-0374
 www.keeneymfg.com

PART #	DIMENSIONS	
	A	B
2068PCLK	9/16-24 UNEF THD	2.00"
2069PCLK	11/16-20 UNEF THD	1.90"

ALL MEASURES IN INCHES



STRAIGHT QUARTER TURN LOOSE KEY VALVE COMPRESSION X COMPRESSION

2068PCLK 5/8" OD X 3/8" OD

2069PCLK 5/8" OD X 1/2" OD

CHROME PLATED BRASS.

INCLUDES NUTS AND BRASS COMPRESSION FERRULE

CROSS REFERENCE GUIDE

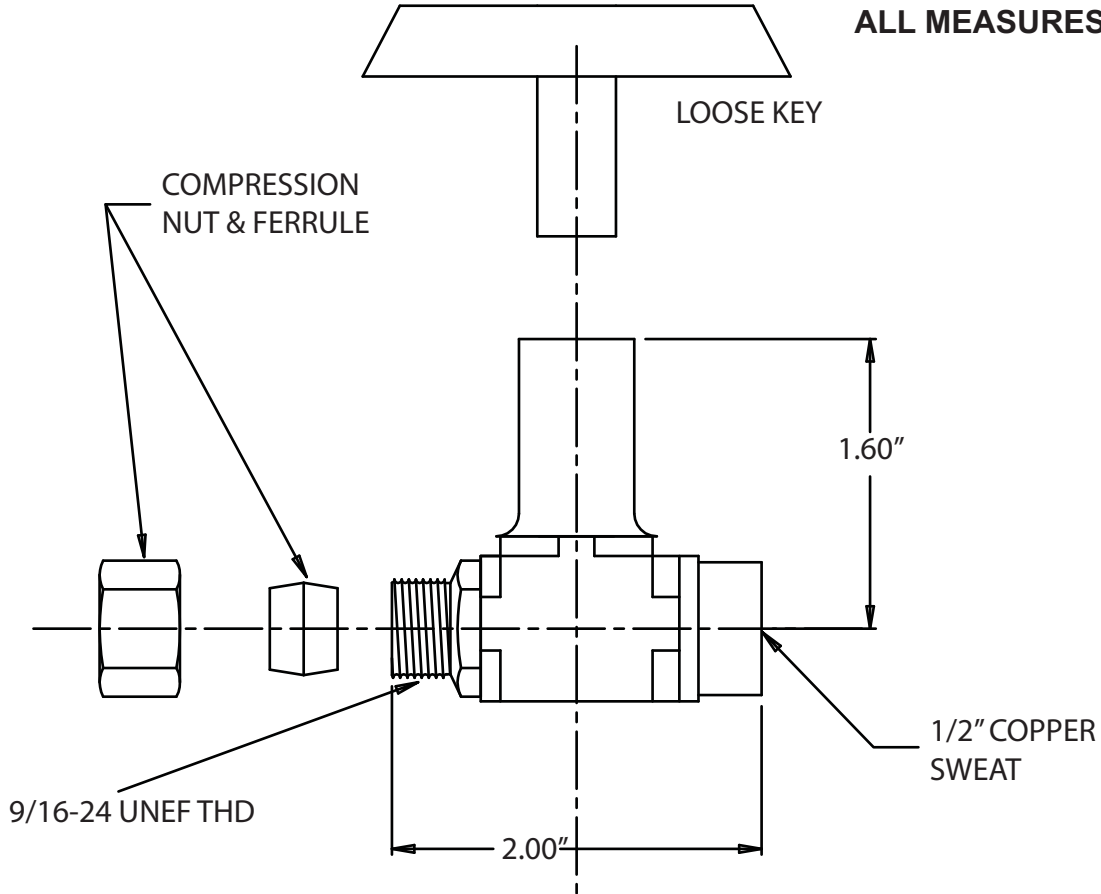
Keeney	2068PCLK	2069PCLK
Eljer	-	-
Kohler	-	-
AM. Standard	-	-
Crane	-	-
McGuire	ST17LK	ST18LK
Watts	-	-
Dearborn	-	-
Zurn	Z8848LKQ-PC	Z8849LKQ-PC
Brasscraft	KTSCR14C	KTSCR34C



SPECIFICATION SHEETS

The Keeney Manufacturing Company
1170 Main Street · Newington, CT 06111
Phone: (800) 243-0526 · Fax: (860) 665-0374
www.keeneymfg.com

ALL MEASURES IN INCHES



STRAIGHT QUARTER TURN LOOSE KEY VALVE SWEAT X COMPRESSION

2781PCLK 1/2" COPPER SWEAT X 3/8" OD

CHROME PLATED BRASS.
INCLUDES NUT AND BRASS COMPRESSION FERRULE

CROSS REFERENCE GUIDE

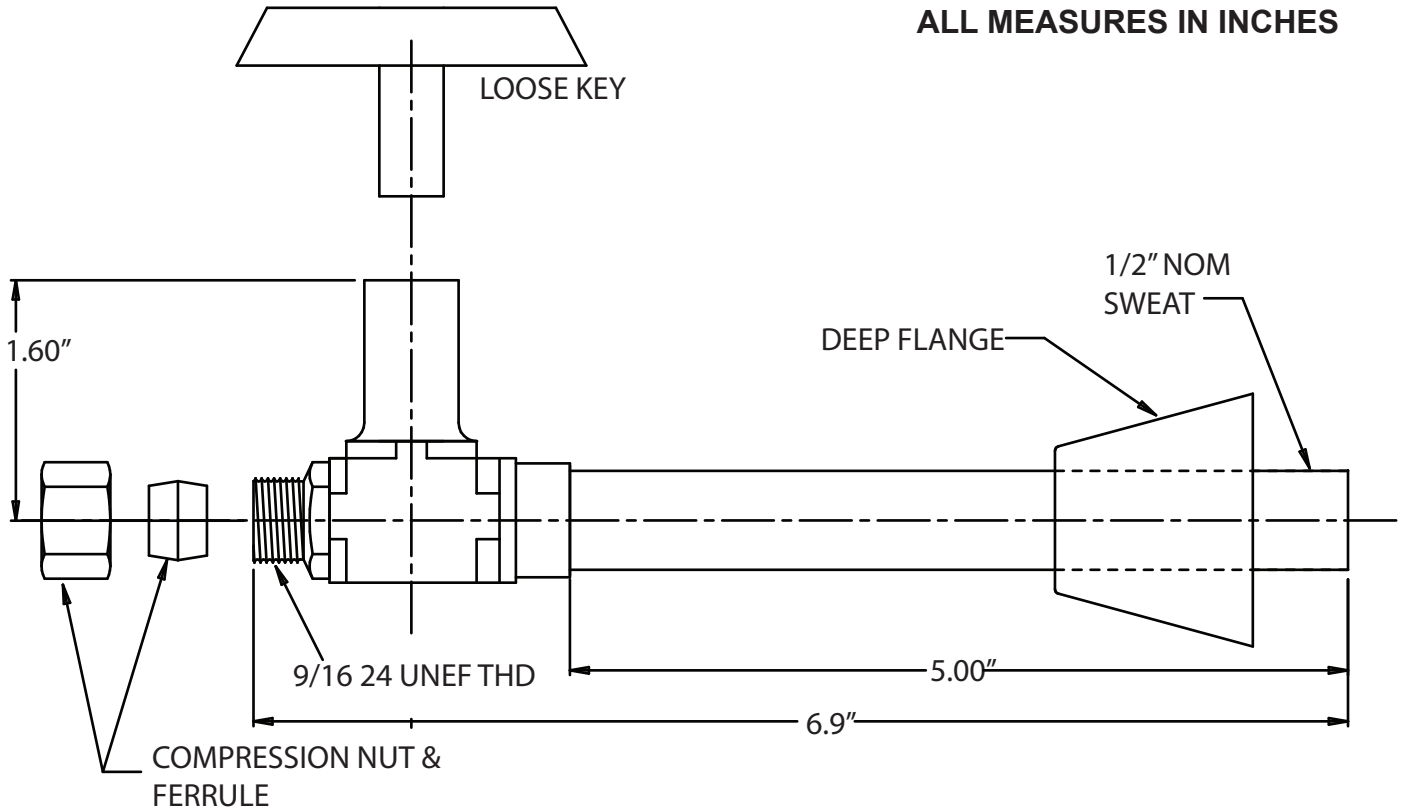
Keeney	2781PCLK
Eljer	-
Kohler	-
AM. Standard	-
Crane	-
McGuire	ST16LK
Watts	-
Dearborn	-
Zurn	Z8846LKQ-PC
Brasscraft	KTSR14C



SPECIFICATION SHEETS

The Keeney Manufacturing Company
1170 Main Street · Newington, CT 06111
Phone: (800) 243-0526 · Fax: (860) 665-0374
www.keeneymfg.com

ALL MEASURES IN INCHES



STRAIGHT QUARTER TURN LOOSE KEY VALVE WITH 5" EXTENSION

2101PCLK 1/2" NOM. SWEAT WITH 5" EXTENSION X 3/8" OD

CHROME PLATED BRASS. WITH DEEP FLANGE
INCLUDES NUT AND BRASS COMPRESSION FERRULE

CROSS REFERENCE GUIDE

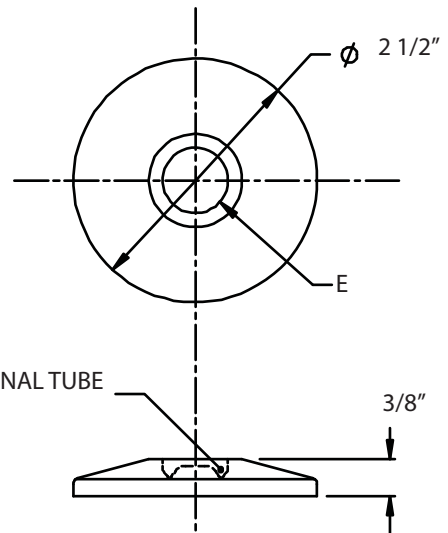
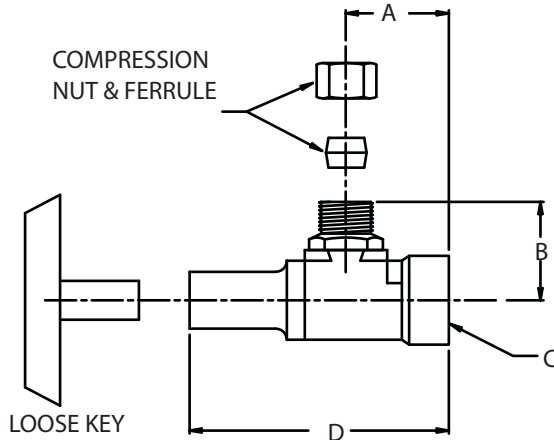
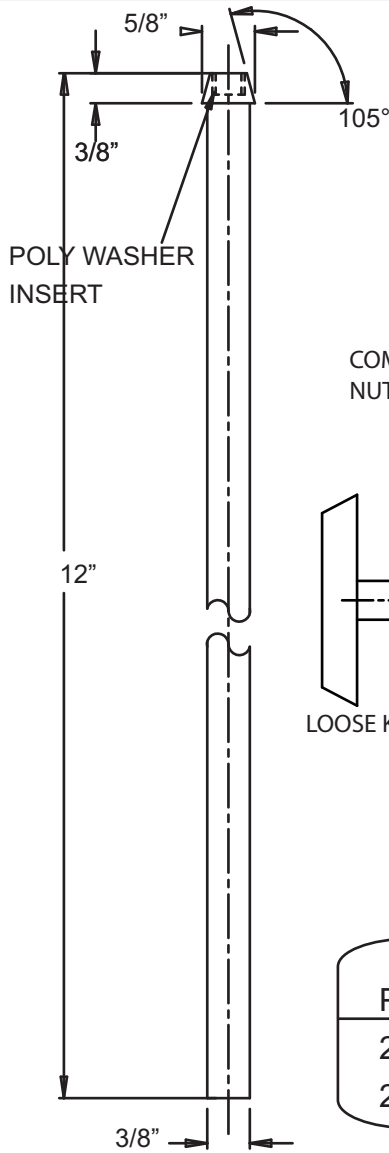
Keeney	2101PCLK
Eljer	-
Kohler	-
AM. Standard	-
Crane	-
McGuire	ST182LK
Watts	-
Dearborn	-
Zurn	-
Brasscraft	KTSCS41BC



SPECIFICATION SHEETS

The Keeney Manufacturing Company
 1170 Main Street · Newington, CT 06111
 Phone: (800) 243-0526 · Fax: (860) 665-0374
 www.keeneymfg.com

ALL MEASURES IN INCHES



PART #	DIMENSIONS				
	A	B	C	D	E
2047PCLKL12CR	.813"	.875"	3/8" FIP	2.375"	.675"ID
2048PCLKL12CR	1.08"	1.00"	1/2" FIP	2.68"	.85" ID

ANGLE QUARTER TURN LOOSE KEY VALVE & LAVATORY SUPPLY KIT

- 2047PCLKL12CR 3/8" FEMALE IRON PIPE X 3/8" OD WITH RISER & FLANGE
- 2048PCLKL12CR 1/2" FEMALE IRON PIPE X 3/8" OD WITH RISER & FLANGE

CHROME PLATED FINISH ON ALL COMPONENTS.

INCLUDES (2) SHALLOW FLANGE, (2) 3/8" X 12" SMOOTH LAVATORY RISER TUBE, (2) QUARTER TURN LOOSE KEY VALVE, NUT AND BRASS COMPRESSION FERRULE IN EACH KIT.

CROSS REFERENCE GUIDE

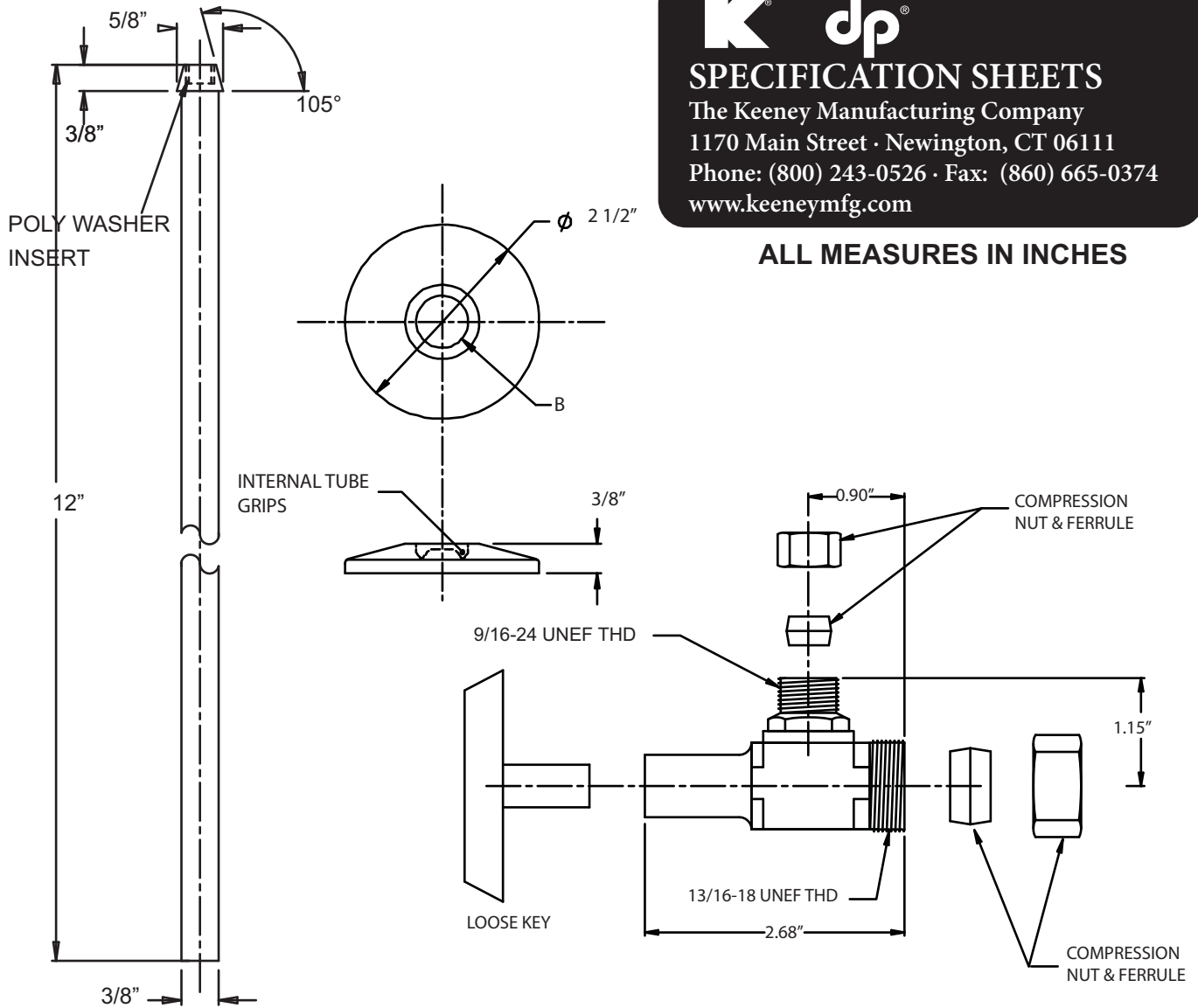
Keeney	2047PCLKL12CR	2048PCLKL12CR
Eljer	-	-
Kohler	-	-
AM. Standard	-	-
Crane	-	-
McGuire	BV165LK	BV2165LK
Watts	B889012CLK	B889112CLK
Dearborn	-	-
Zurn	Z8800LRLKQ-PC	Z8802LRLKQ-PC
Brasscraft	KTSOR1512AC	KTSOR1712AC



SPECIFICATION SHEETS

The Keeney Manufacturing Company
 1170 Main Street · Newington, CT 06111
 Phone: (800) 243-0526 · Fax: (860) 665-0374
 www.keeneymfg.com

ALL MEASURES IN INCHES



ANGLE QUARTER TURN LOOSE KEY VALVE & LAVATORY SUPPLY KIT
 2622PCLKL12CR 5/8" OD X 3/8" OD WITH RISER & FLANGE

CHROME PLATED FINISH ON ALL COMPONENTS.

INCLUDES (2) SHALLOW FLANGES, (2) 3/8" X 12" SMOOTH LAVATORY RISER TUBES, (2) QUARTER TURN VALVES, NUTS AND BRASS COMPRESSION FERRULES IN EACH KIT.

CROSS REFERENCE GUIDE

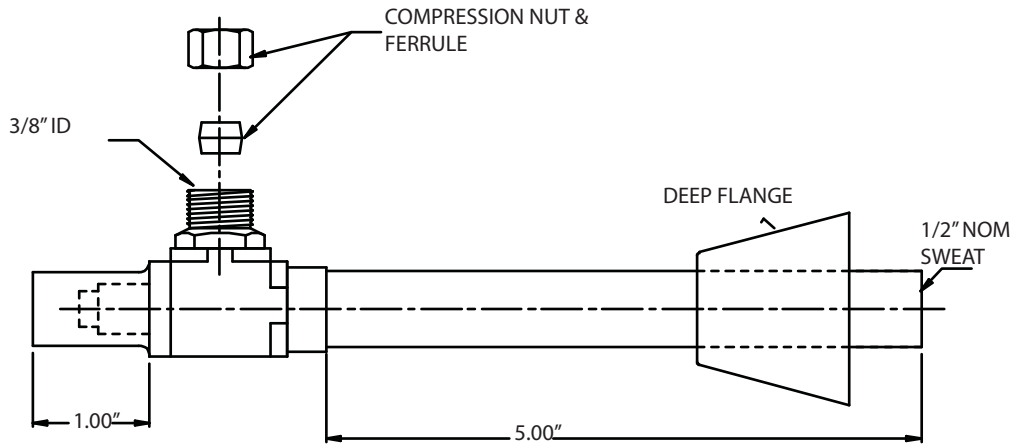
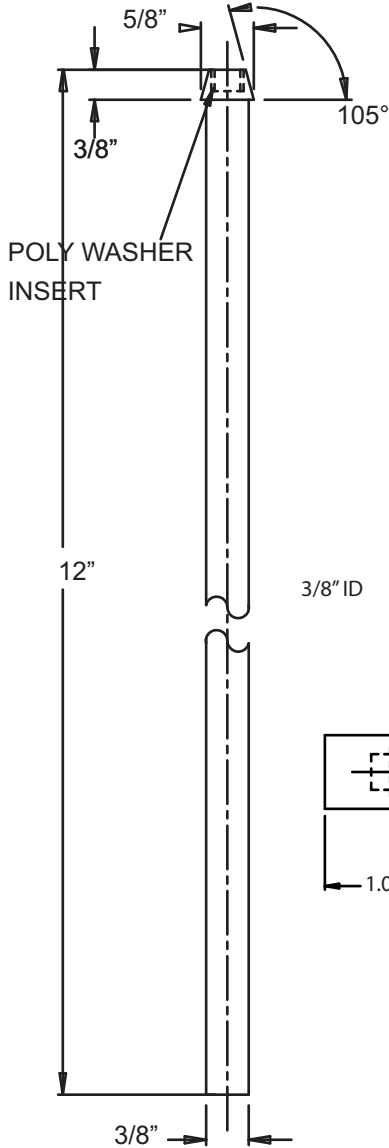
Keeney	2622PCLKL12CR
Eljer	-
Kohler	-
AM. Standard	-
Crane	-
McGuire	BV2165CCLK
Watts	B894012CLK
Dearborn	-
Zurn	Z8804LRLKQ-PC
Brasscraft	KTSOCR1912AC



SPECIFICATION SHEETS

The Keeney Manufacturing Company
 1170 Main Street · Newington, CT 06111
 Phone: (800) 243-0526 · Fax: (860) 665-0374
 www.keeneymfg.com

ALL MEASURES IN INCHES



ANGLE QUARTER TURN LOOSE KEY VALVE & LAVATORY SUPPLY KIT
 2100PCLKL12CR 1/2" NOM. SWEAT WITH 5" EXTENSION X 3/8" OD WITH RISER

CHROME PLATED FINISH ON ALL COMPONENTS.
 INCLUDES (2) DEEP FLANGES, (2) 3/8" X 12" SMOOTH LAVATORY RISER TUBES,
 (2) QUARTER TURN VALVES WITH EXTENSION,
 NUTS AND BRASS COMPRESSION FERRULES IN EACH KIT.

CROSS REFERENCE GUIDE

Keeney	2100PCLKL12CR
Eljer	-
Kohler	-
AM. Standard	-
Crane	-
McGuire	BV170LK
Watts	-
Dearborn	-
Zurn	Z8808LRLKQ-PC
Brasscraft	KTSCS400AC



SPECIFICATION SHEETS

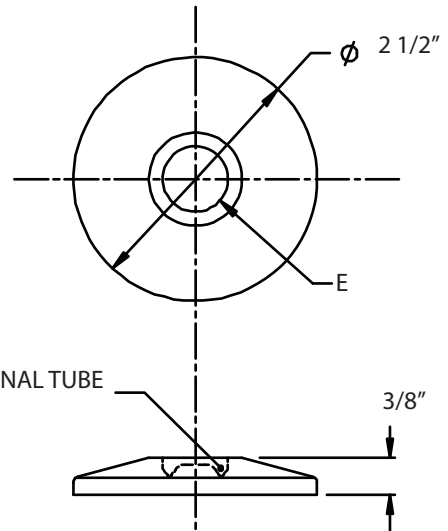
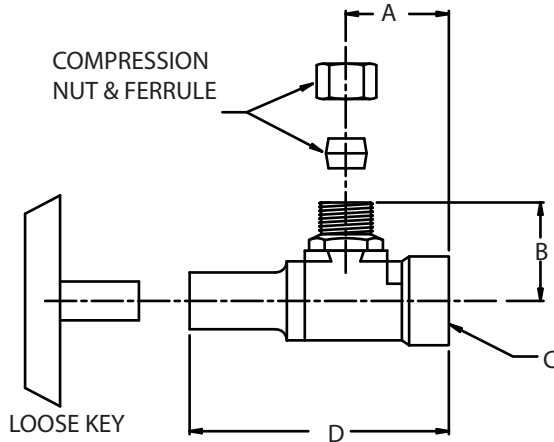
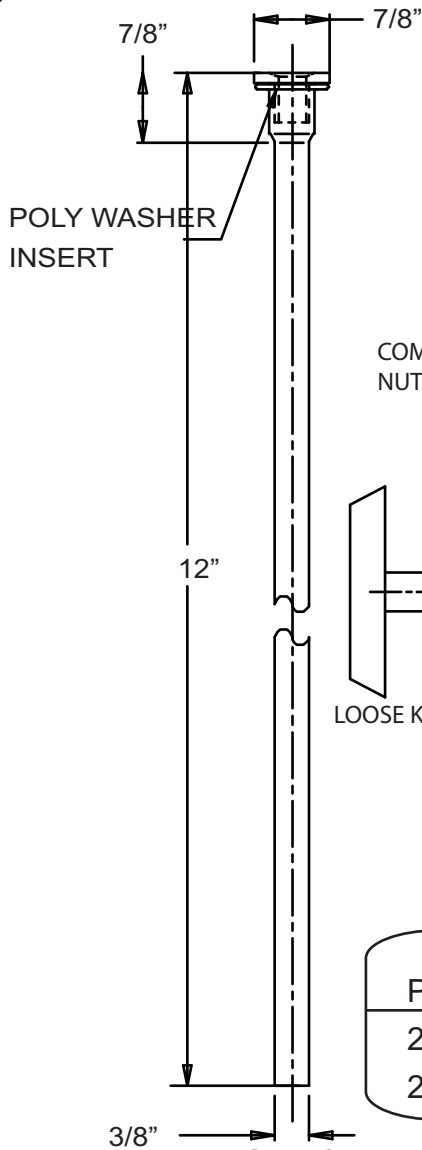
The Keeney Manufacturing Company

1170 Main Street · Newington, CT 06111

Phone: (800) 243-0526 · Fax: (860) 665-0374

www.keeneymfg.com

ALL MEASURES IN INCHES



PART #	DIMENSIONS				
	A	B	C	D	E
2047PCLKC12CR	.813"	.875"	3/8" FIP	2.375"	.675"ID
2048PCLKC12CR	1.08"	1.00"	1/2" FIP	2.68"	.85" ID

ANGLE QUARTER TURN LOOSE KEY VALVE & TOILET SUPPLY KIT

2047PCLKC12CR 3/8" FEMALE IRON PIPE X 3/8" OD WITH RISER & FLANGE

2048PCLKC12CR 1/2" FEMALE IRON PIPE X 3/8" OD WITH RISER & FLANGE

CHROME PLATED FINISH ON ALL COMPONENTS.

INCLUDES (1) SHALLOW FLANGE, (1) 3/8" X 12" SMOOTH TOILET RISER TUBE, (1) QUARTER TURN LOOSE KEY VALVE, NUT AND BRASS COMPRESSION FERRULE IN EACH KIT.

CROSS REFERENCE GUIDE

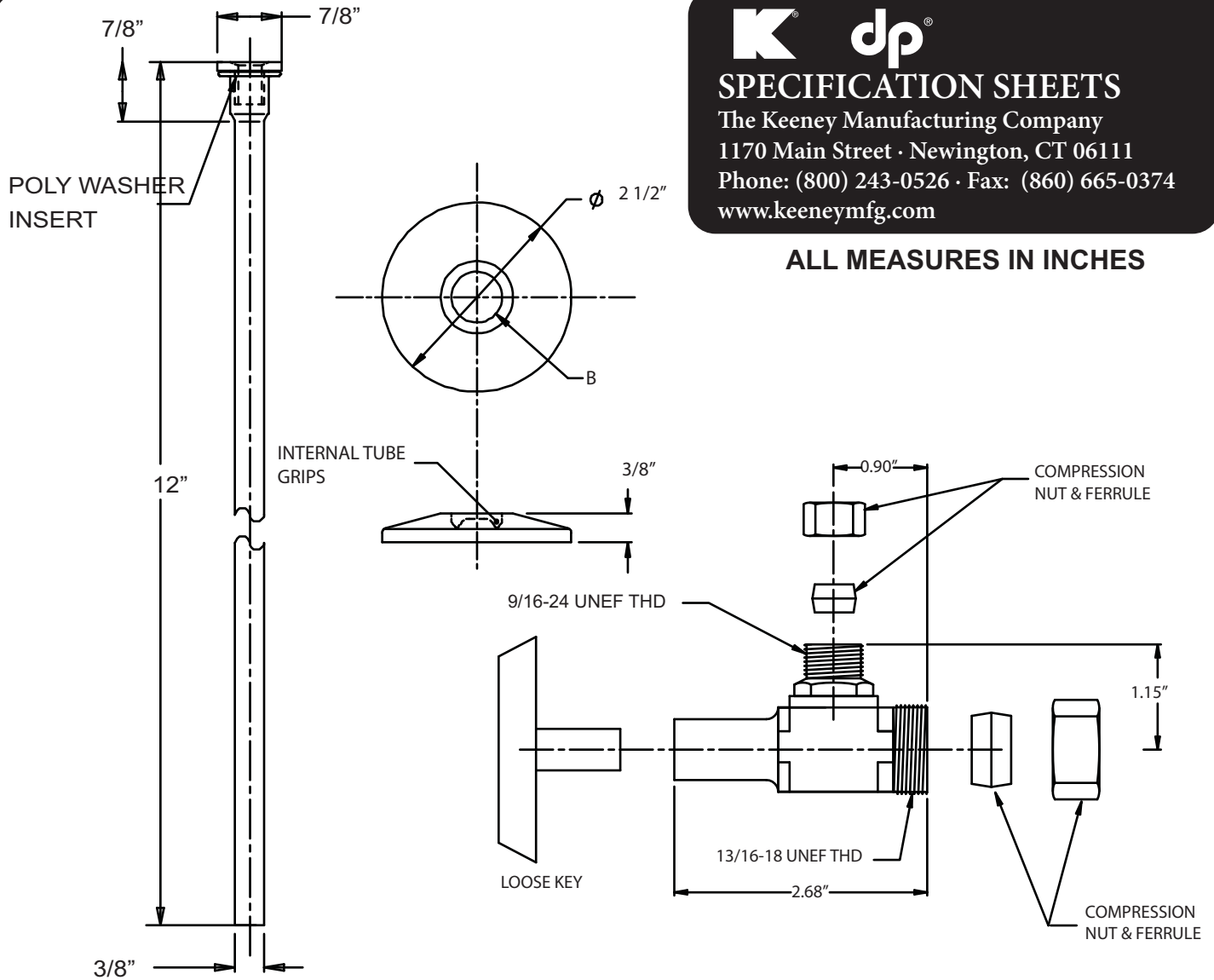
Keeney	2047PCLKC12CR	2048PCLKC12CR
Eljer	-	-
Kohler	-	-
AM. Standard	-	-
Crane	-	-
McGuire	BV166LK	BV2166LK
Watts	-	-
Dearborn	-	-
Zurn	Z8800CRLKQ-PC	Z8802CRLKQ-PC
Brasscraft	KTSOR12DLC	KTSOR1712DLC



SPECIFICATION SHEETS

The Keeney Manufacturing Company
 1170 Main Street · Newington, CT 06111
 Phone: (800) 243-0526 · Fax: (860) 665-0374
 www.keeneymfg.com

ALL MEASURES IN INCHES



ANGLE QUARTER TURN LOOSE KEY VALVE & TOILET SUPPLY KIT
 2622PCLKC12CR 5/8" OD X 3/8" OD WITH RISER & FLANGE

CHROME PLATED FINISH ON ALL COMPONENTS.

INCLUDES (1) SHALLOW FLANGE, (1) 3/8" X 12" SMOOTH TOILET RISER TUBE, (1) QUARTER TURN VALVE, NUT AND BRASS COMPRESSION FERRULE IN EACH KIT.

CROSS REFERENCE GUIDE

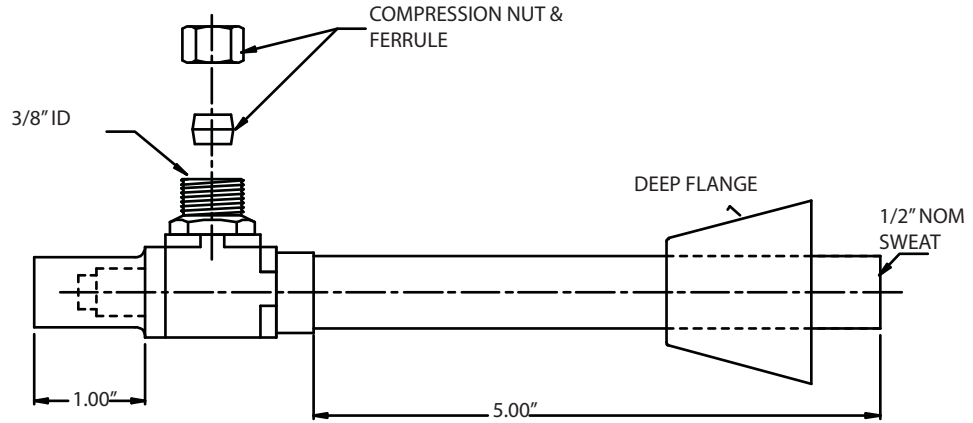
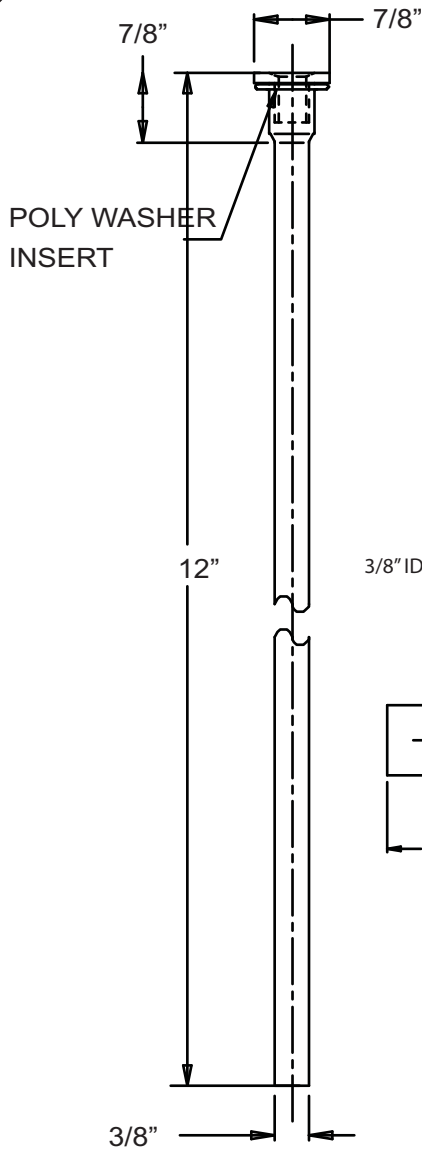
Keeney	2622PCLKC12CR
Eljer	-
Kohler	-
AM. Standard	-
Crane	-
McGuire	BV2166CCLK
Watts	-
Dearborn	-
Zurn	Z8804CRLKQ-PC
Brasscraft	KTSOCR1912DLC



SPECIFICATION SHEETS

The Keeney Manufacturing Company
 1170 Main Street · Newington, CT 06111
 Phone: (800) 243-0526 · Fax: (860) 665-0374
 www.keeneymfg.com

ALL MEASURES IN INCHES



ANGLE QUARTER TURN LOOSE KEY VALVE & TOILET SUPPLY KIT
 2100PCLKC12CR 1/2" NOM. SWEAT WITH 5" EXTENSION X 3/8" OD WITH RISER

CHROME PLATED FINISH ON ALL COMPONENTS.
 INCLUDES (1) DEEP FLANGE, (1) 3/8" X 12" SMOOTH TOILET RISER TUBE,
 (1) QUARTER TURN VALVE WITH EXTENSION,
 NUT AND BRASS COMPRESSION FERRULE IN EACH KIT.

CROSS REFERENCE GUIDE

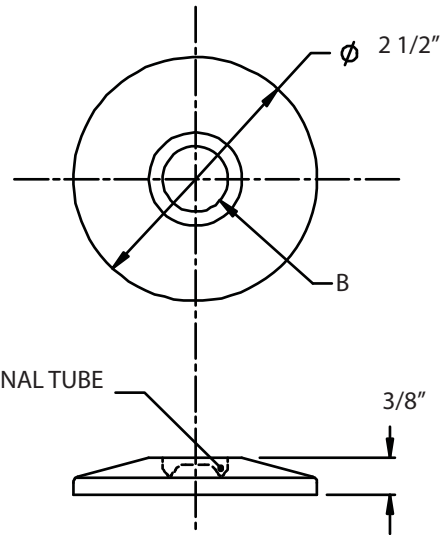
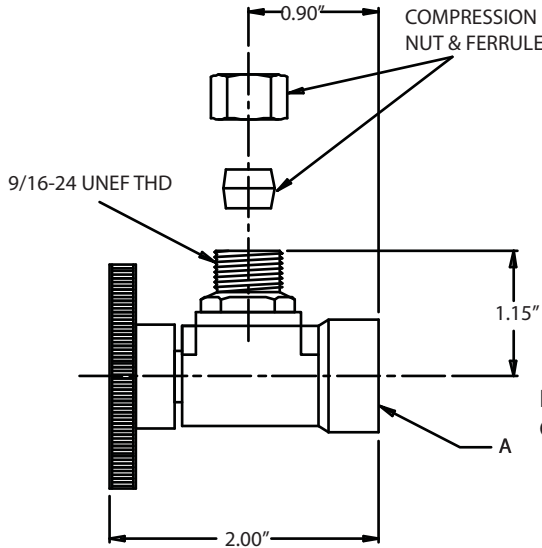
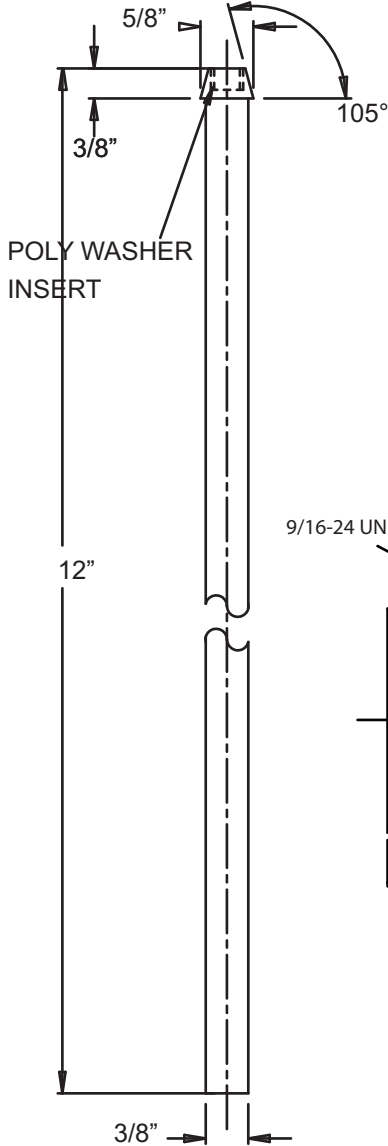
Keeney	2100PCLKC12CR
Eljer	-
Kohler	-
AM. Standard	-
Crane	-
McGuire	BV172LK
Watts	-
Dearborn	-
Zurn	Z8808CRLKQ-PC
Brasscraft	KTSCS401DLC



SPECIFICATION SHEETS

The Keeney Manufacturing Company
 1170 Main Street · Newington, CT 06111
 Phone: (800) 243-0526 · Fax: (860) 665-0374
 www.keeneymfg.com

ALL MEASURES IN INCHES



DIMENSIONS		
PART #	A	B
2047PCL12CR	3/8" FIP	.675" ID
2048PCL12CR	1/2" FIP	.85" ID

ANGLE QUARTER TURN VALVE & LAVATORY SUPPLY KIT

- 2047PCL12CR 3/8" FEMALE IRON PIPE X 3/8" OD WITH RISER & FLANGE
- 2048PCL12CR 1/2" FEMALE IRON PIPE X 3/8" OD WITH RISER & FLANGE

CHROME PLATED FINISH ON ALL COMPONENTS.

INCLUDES (2) SHALLOW FLANGE, (2) 3/8" X 12" SMOOTH LAVATORY RISER TUBE, (2) QUARTER TURN VALVES, NUTS AND BRASS COMPRESSION FERRULES IN EACH KIT.

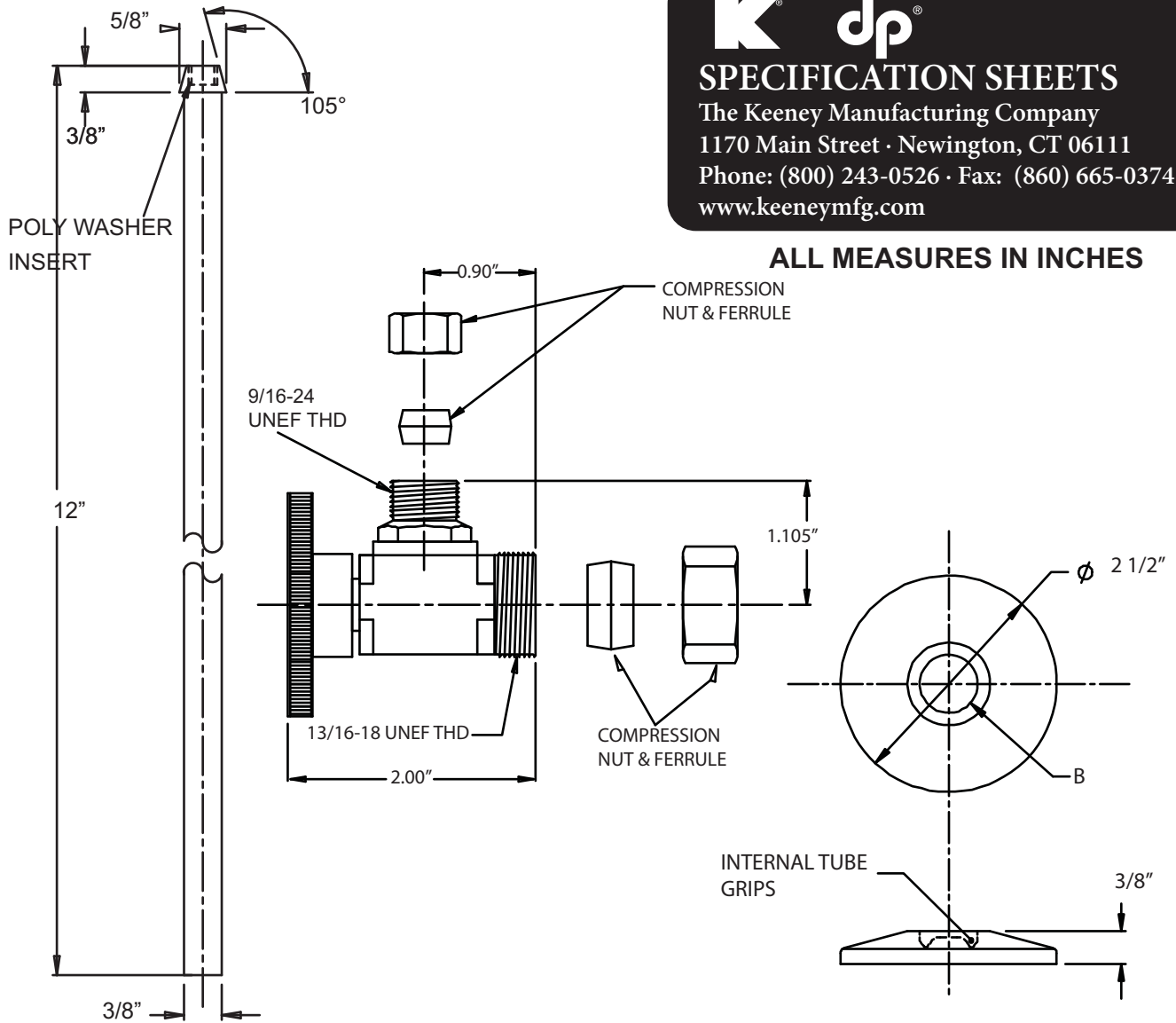
CROSS REFERENCE GUIDE

Keeney	2047PCL12CR	2048PCL12CR
Eljer	-	-
Kohler	-	-
AM. Standard	-	-
Crane	-	-
McGuire	BV165	BV2165
Watts	B889012C	-
Dearborn	-	-
Zurn	Z8800LRQ-PC	Z8802LRQ-PC
Brasscraft	KTOR1512AC	KTOR1712AC



SPECIFICATION SHEETS

The Keeney Manufacturing Company
 1170 Main Street · Newington, CT 06111
 Phone: (800) 243-0526 · Fax: (860) 665-0374
 www.keeneymfg.com



ANGLE QUARTER TURN VALVE & LAVATORY SUPPLY KIT
 2622PCL12CR 5/8" OD X 3/8" OD WITH RISER & FLANGE

CHROME PLATED FINISH ON ALL COMPONENTS.

INCLUDES (2) SHALLOW FLANGES, (2) 3/8" X 12" SMOOTH LAVATORY RISER TUBES, (2) QUARTER TURN VALVES, NUTS AND BRASS COMPRESSION FERRULES IN EACH KIT.

CROSS REFERENCE GUIDE

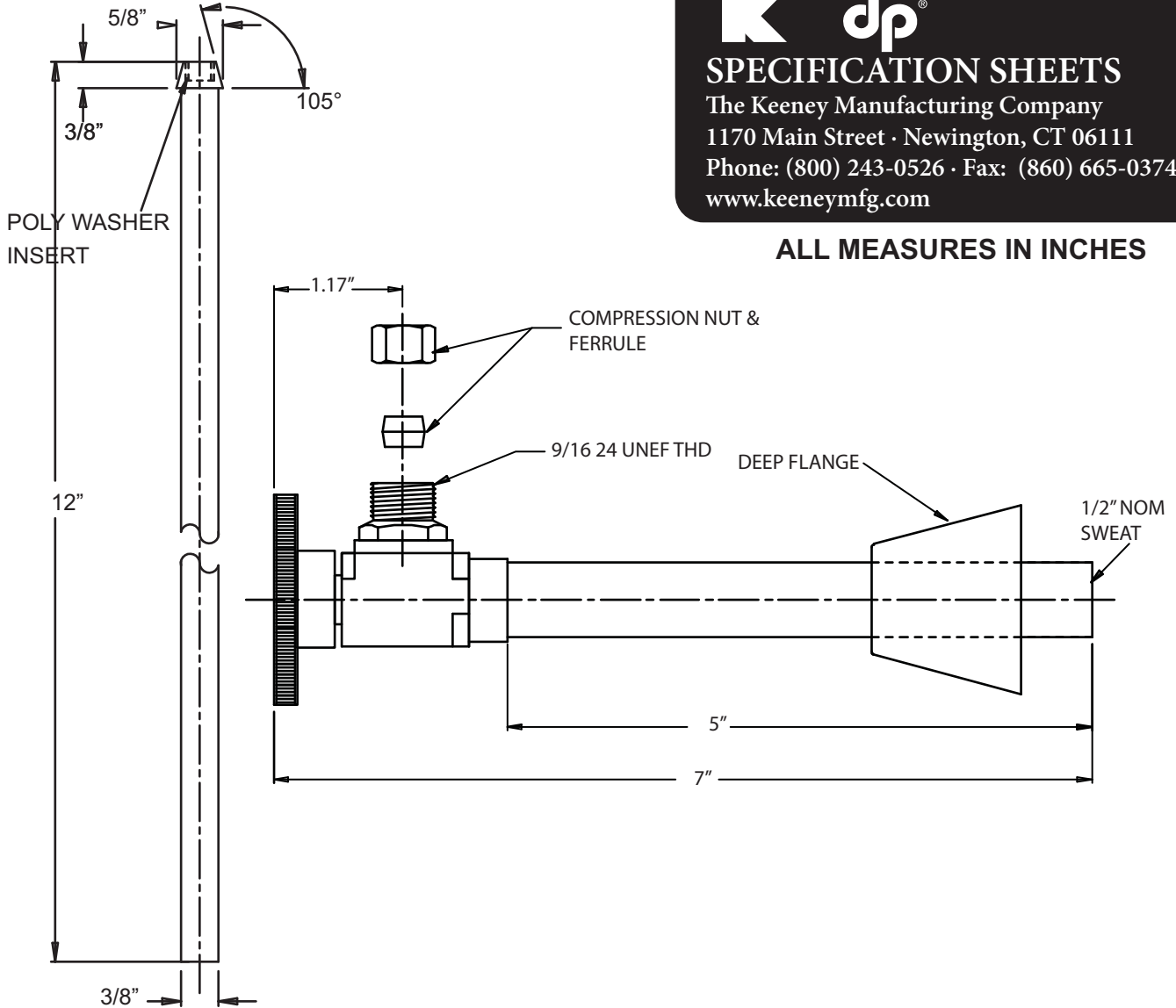
Keeney	2622PCL12CR
Eljer	-
Kohler	-
AM. Standard	-
Crane	-
McGuire	BV2165CC
Watts	B894012C
Dearborn	-
Zurn	Z8804LRQ-PC
Brasscraft	KTOCR1912AC



SPECIFICATION SHEETS

The Keeney Manufacturing Company
 1170 Main Street · Newington, CT 06111
 Phone: (800) 243-0526 · Fax: (860) 665-0374
 www.keeneymfg.com

ALL MEASURES IN INCHES



ANGLE QUARTER TURN VALVE & LAVATORY SUPPLY KIT

2100PCL12CR 1/2" NOM. SWEAT WITH 5" EXTENSION X 3/8" OD WITH RISER

CHROME PLATED FINISH ON ALL COMPONENTS.

INCLUDES (2) DEEP FLANGES, (2) 3/8" X 12" SMOOTH LAVATORY RISER TUBES,
 (2) QUARTER TURN VALVES WITH EXTENSION,
 NUTS AND BRASS COMPRESSION FERRULES IN EACH KIT.

CROSS REFERENCE GUIDE

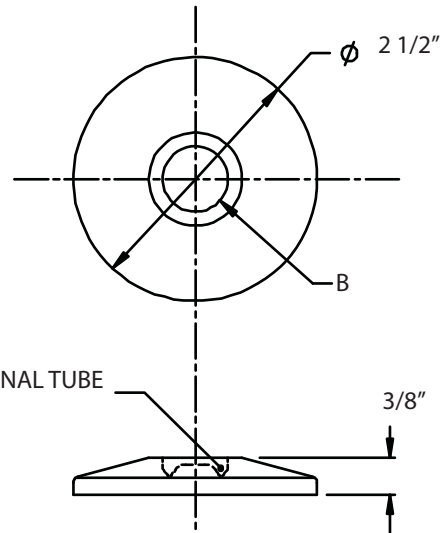
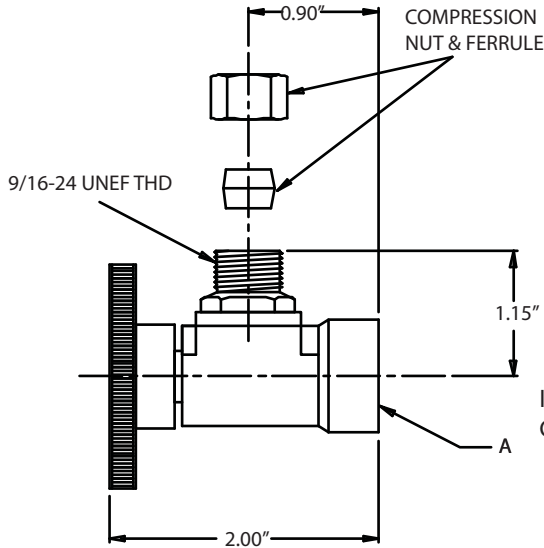
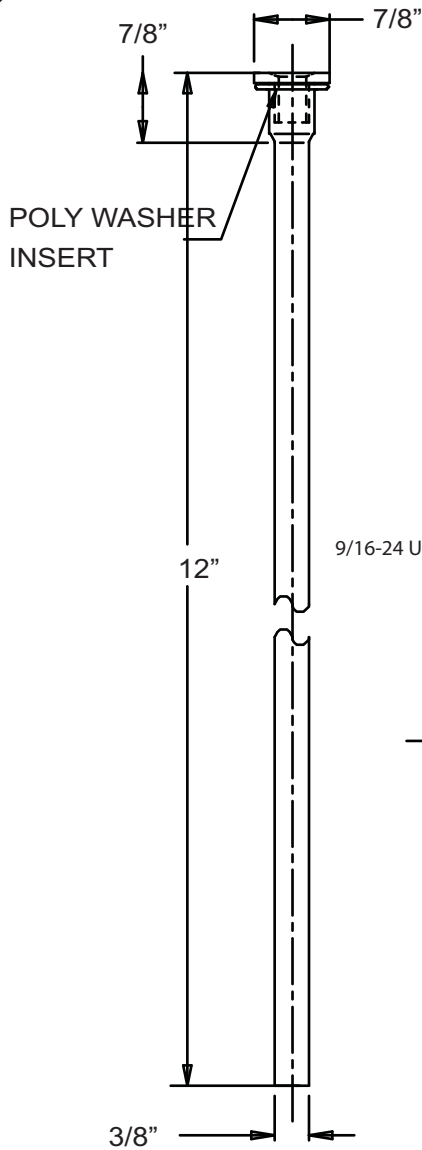
Keeney	2100PCL12CR
Eljer	-
Kohler	-
AM. Standard	-
Crane	-
McGuire	BV170
Watts	B892012C
Dearborn	-
Zurn	Z8808LRQ-PC
Brasscraft	KTCS400AC



SPECIFICATION SHEETS

The Keeney Manufacturing Company
 1170 Main Street · Newington, CT 06111
 Phone: (800) 243-0526 · Fax: (860) 665-0374
 www.keeneymfg.com

ALL MEASURES IN INCHES



PART #	DIMENSIONS	
	A	B
2047PCC12CR	3/8" FIP	.675" ID
2048PCC12CR	1/2" FIP	.85" ID

ANGLE QUARTER TURN VALVE & TOILET SUPPLY KIT

- 2047PCC12CR 3/8" FEMALE IRON PIPE X 3/8" OD WITH RISER & FLANGE
- 2048PCC12CR 1/2" FEMALE IRON PIPE X 3/8" OD WITH RISER & FLANGE

CHROME PLATED FINISH ON ALL COMPONENTS.

INCLUDES (1) SHALLOW FLANGE, (1) 3/8" X 12" SMOOTH TOILET RISER TUBE, (1) QUARTER TURN VALVE, NUT AND BRASS COMPRESSION FERRULE IN EACH KIT.

CROSS REFERENCE GUIDE

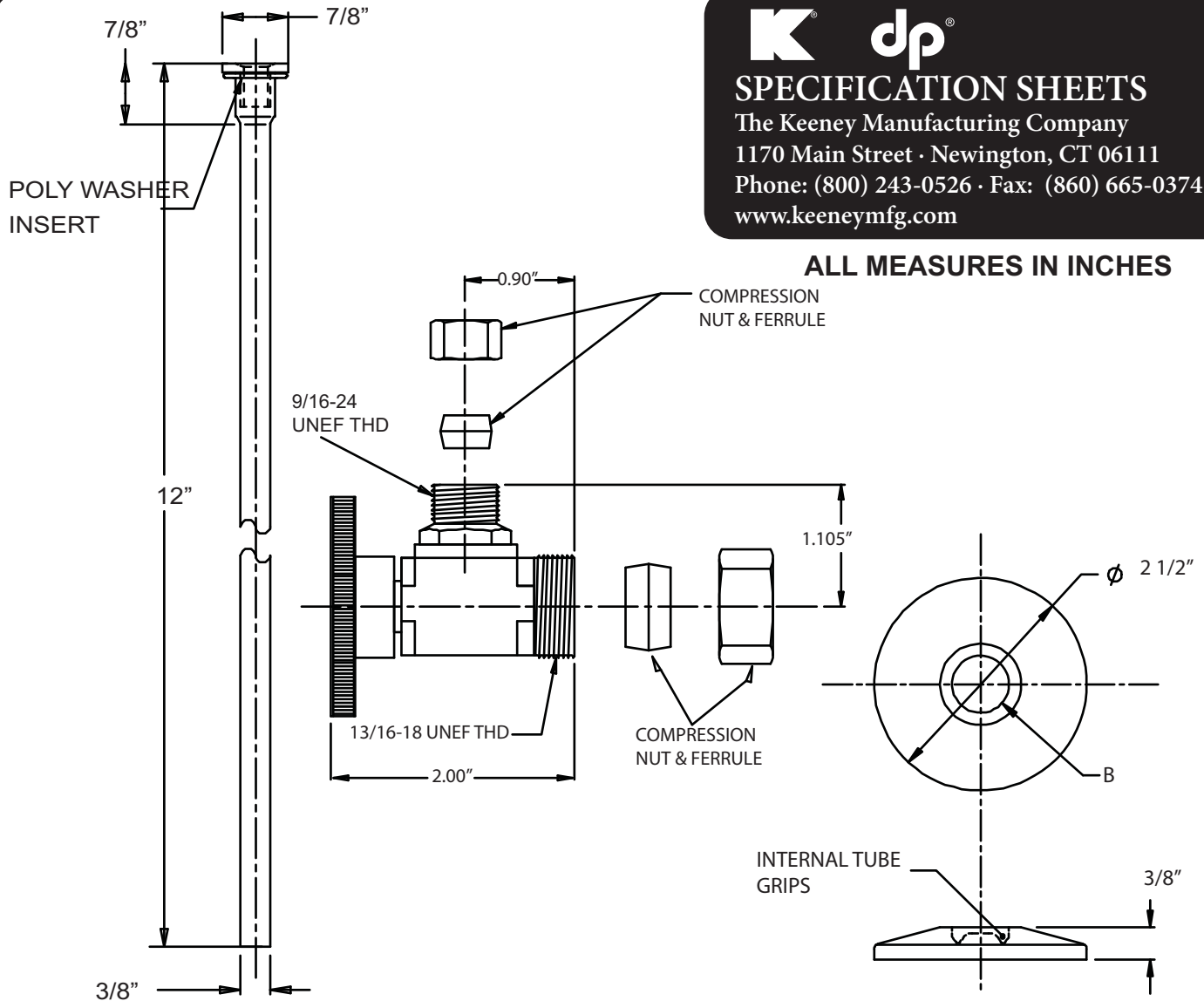
Keeney	2047PCC12CR	2048PCC12CR
Eljer	-	-
Kohler	-	-
AM. Standard	-	-
Crane	-	-
McGuire	BV166	BV2166
Watts	T889012C	-
Dearborn	-	-
Zurn	Z8800CRQ-PC	Z8802CRQ-PC
Brasscraft	KTOR1512DLC	KTOR1712DLC



SPECIFICATION SHEETS

The Keeney Manufacturing Company
 1170 Main Street · Newington, CT 06111
 Phone: (800) 243-0526 · Fax: (860) 665-0374
 www.keeneymfg.com

ALL MEASURES IN INCHES



ANGLE QUARTER TURN VALVE & TOILET SUPPLY KIT

2622PCC12CR 5/8" OD X 3/8" OD WITH RISER & FLANGE

CHROME PLATED FINISH ON ALL COMPONENTS.

INCLUDES (1) SHALLOW FLANGE, (1) 3/8" X 12" SMOOTH TOILET RISER TUBE, (1) QUARTER TURN VALVE, NUT AND BRASS COMPRESSION FERRULE IN EACH KIT.

CROSS REFERENCE GUIDE

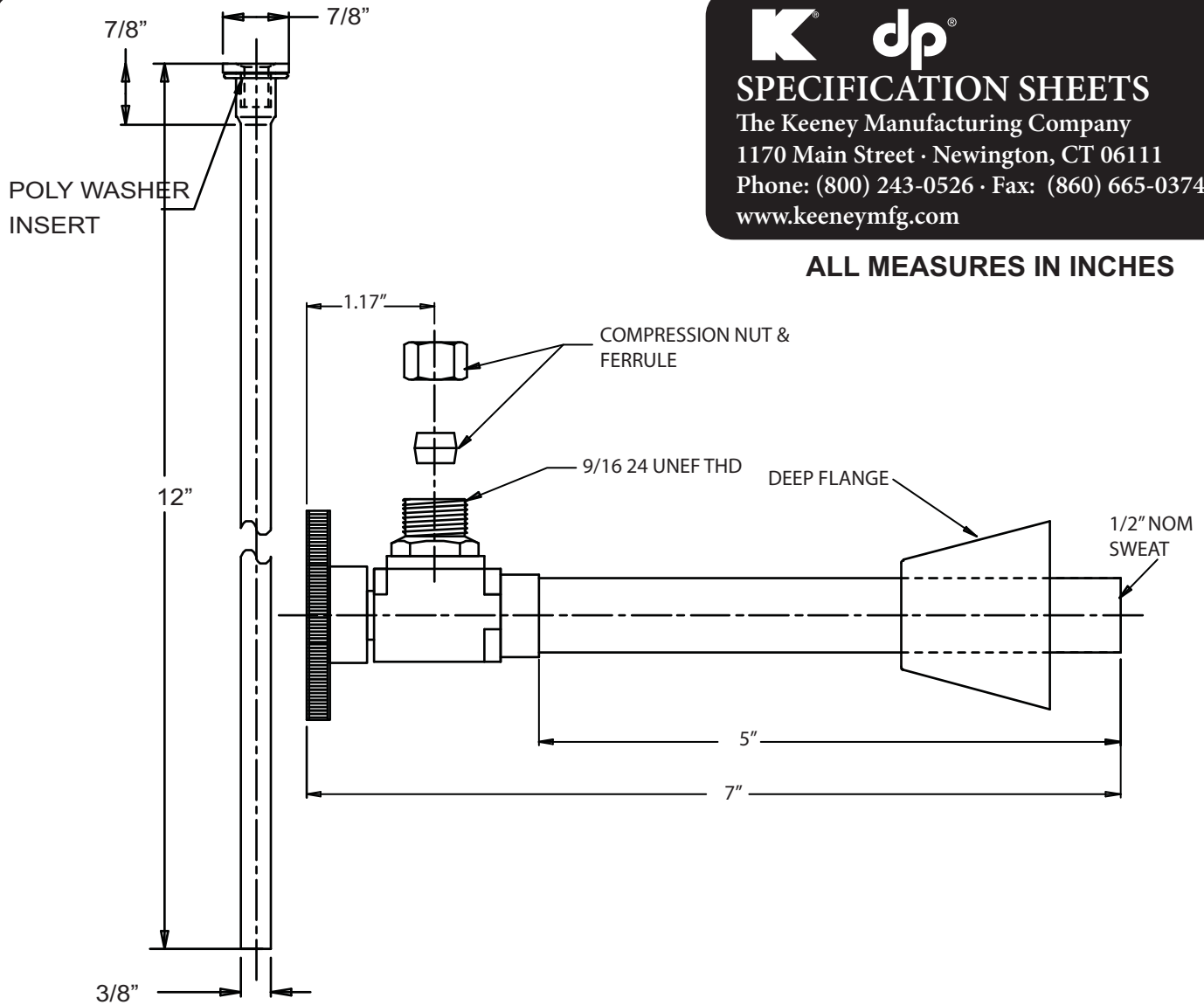
Keeney	2622PCC12CR
Eljer	-
Kohler	-
AM. Standard	-
Crane	-
McGuire	BV2166CC
Watts	T894012C
Dearborn	-
Zurn	Z8804CRQ-PC
Brasscraft	KTOCR1912DLC



SPECIFICATION SHEETS

The Keeney Manufacturing Company
 1170 Main Street · Newington, CT 06111
 Phone: (800) 243-0526 · Fax: (860) 665-0374
 www.keeneymfg.com

ALL MEASURES IN INCHES



ANGLE QUARTER TURN VALVE & TOILET SUPPLY KIT

2100PCC12CR 1/2" NOM. SWEAT WITH 5" EXTENSION X 3/8" OD WITH RISER

CHROME PLATED FINISH ON ALL COMPONENTS.

INCLUDES (1) DEEP FLANGE, (1) 3/8" X 12" SMOOTH TOILET RISER TUBE,
 (1) QUARTER TURN VALVE WITH EXTENSION,
 NUT AND BRASS COMPRESSION FERRULE IN EACH KIT.

CROSS REFERENCE GUIDE

Keeney	2100PCC12CR
Eljer	-
Kohler	-
AM. Standard	-
Crane	-
McGuire	BV172
Watts	T892012C
Dearborn	-
Zurn	Z8808CRQ-PC
Brasscraft	KTCS407DLC

DIMENSIONS

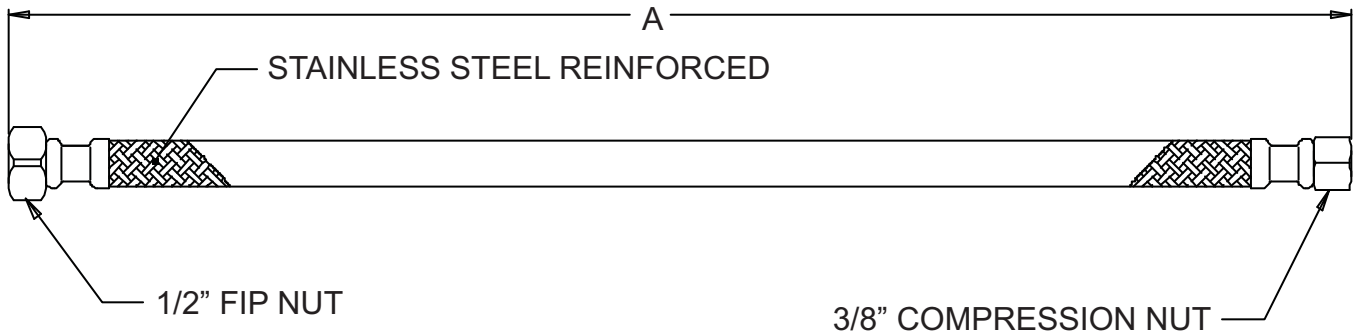
PART #	A
PP23801	12"
PP23802	16"
PP23803	20"
PP23808	30"
PP23815	36"



SPECIFICATION SHEETS

The Keeney Manufacturing Company
 1170 Main Street · Newington, CT 06111
 Phone: (800) 243-0526 · Fax: (860) 665-0374
 www.keeneymfg.com

ALL MEASURES IN INCHES



COMPRESSION INLET STAINLESS STEEL SUPPLY LINE

PP23801	3/8" COMP X 1/2" FIP X 12"
PP23802	3/8" COMP X 1/2" FIP X 16"
PP23803	3/8" COMP X 1/2" FIP X 20"
PP23808	3/8" COMP X 1/2" FIP X 30"
PP23815	3/8" COMP X 1/2" FIP X 36"

FOR LAVATORY
 3/8" COMPRESSION x 1/2" FEMALE IRON PIPE

CROSS REFERENCE GUIDE

Keeney	PP23801	PP23802	PP23803	PP23808	PP23815
Eljer	-	-	-	-	-
Kohler	-	-	-	-	-
AM. Standard	-	-	-	-	-
Crane	-	-	-	-	-
McGuire	SSLAV12050038	SSLAV16050038	SSLAV20050038	SSLAV30050038	SSLAV36050038
Watts	381 2BSS	381 6BSS	381 0BSS	383 0BSS	383 6BSS
Dearborn	-	-	-	-	-
Zurn	Z8860-12-SS	Z8860-16-SS	Z8860-20-SS	Z8860-30-SS	Z8860-36-SS
Brasscraft	-	-	-	-	-



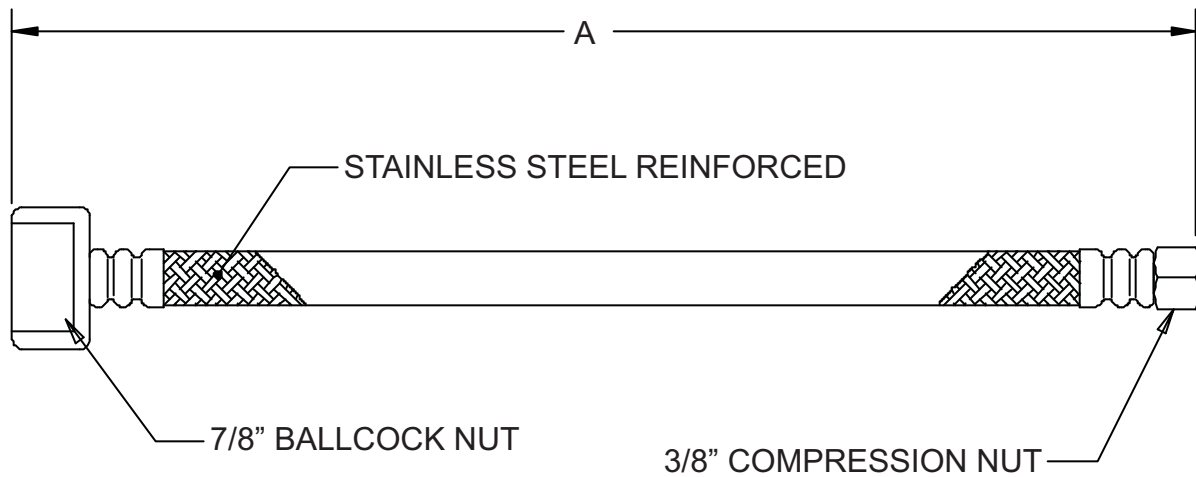
SPECIFICATION SHEETS

The Keeney Manufacturing Company
 1170 Main Street · Newington, CT 06111
 Phone: (800) 243-0526 · Fax: (860) 665-0374
 www.keeneymfg.com

DIMENSIONS

PART #	A
PP23804	9"
PP23805	12"

ALL MEASURES IN INCHES



COMPRESSION INLET STAINLESS STEEL SUPPLY LINE

PP23804	3/8" COMPRESSION X 7/8" BALLCOCK X 9"
PP23805	3/8" COMPRESSION X 7/8" BALLCOCK X 12"

FOR TOILET
 3/8" COMPRESSION x 7/8 BALLCOCK

CROSS REFERENCE GUIDE

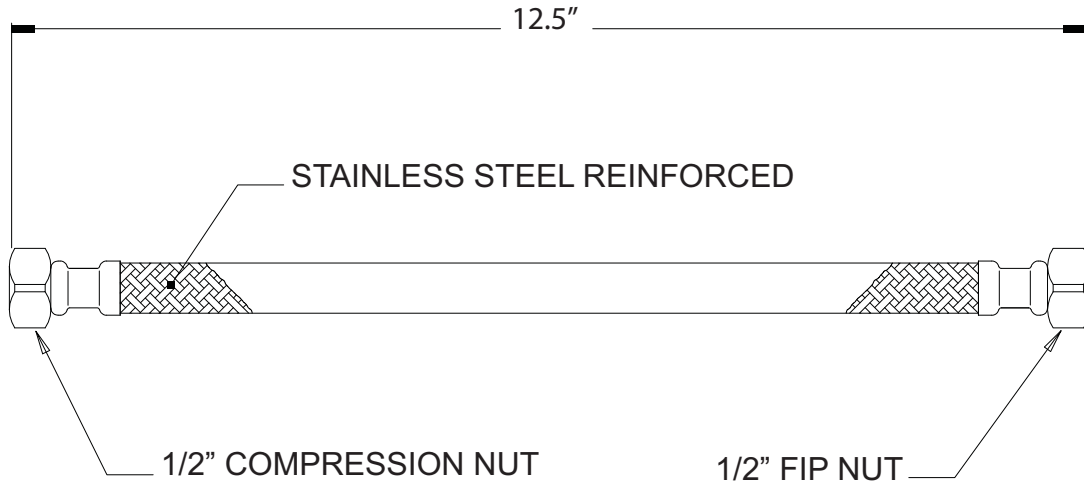
Keeney	PP23804	PP23805
Eljer	-	-
Kohler	-	-
AM. Standard	-	-
Crane	-	-
McGuire	SSCLO09050038	SSCLO12050038
Watts	381 9TSS	381 2TSS
Dearborn	-	-
Zurn	Z8870-9-SS	Z8870-12-SS
Brasscraft	-	-



SPECIFICATION SHEETS

The Keeney Manufacturing Company
1170 Main Street · Newington, CT 06111
Phone: (800) 243-0526 · Fax: (860) 665-0374
www.keeneymfg.com

ALL MEASURES IN INCHES



COMPRESSION INLET STAINLESS STEEL SUPPLY LINE

PP23810 1/2" COMPRESSION X 1/2" FIP X 12"

FOR LAVATORY

1/2" COMPRESSION x 1/2" FEMALE IRON PIPE

CROSS REFERENCE GUIDE

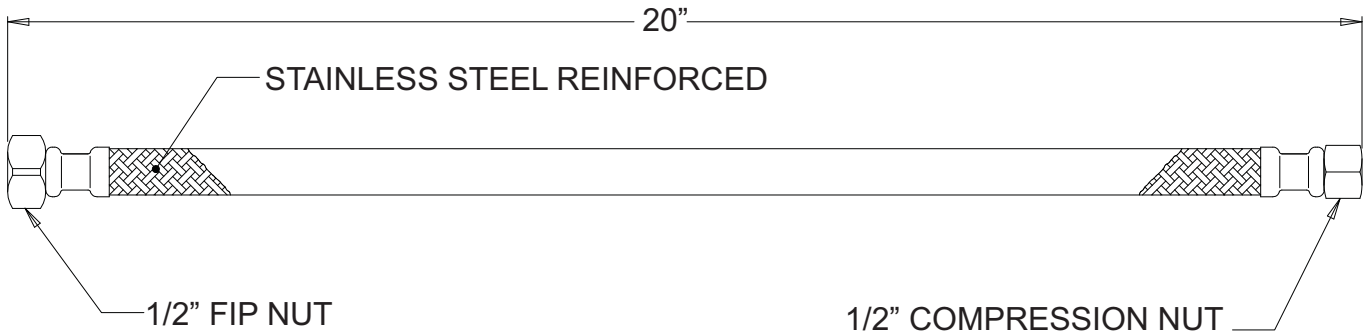
Keeney	PP23010
Eljer	-
Kohler	-
AM. Standard	-
Crane	-
McGuire	SSLAV12050050
Watts	221 2BSS
Dearborn	-
Zurn	Z8862-12-SS
Brasscraft	-



SPECIFICATION SHEETS

The Keeney Manufacturing Company
1170 Main Street · Newington, CT 06111
Phone: (800) 243-0526 · Fax: (860) 665-0374
www.keeneymfg.com

ALL MEASURES IN INCHES



COMPRESSION INLET STAINLESS STEEL SUPPLY LINE

PP23840 1/2" COMP X 1/2" FIP X 20"

FOR LAVATORY

1/2" COMPRESSION x 1/2" FEMALE IRON PIPE

CROSS REFERENCE GUIDE

Keeney	PP23840
Eljer	-
Kohler	-
AM. Standard	-
Crane	-
McGuire	SSLAV20050050
Watts	222 0BSS
Dearborn	-
Zurn	Z8862-20-SS
Brasscraft	-

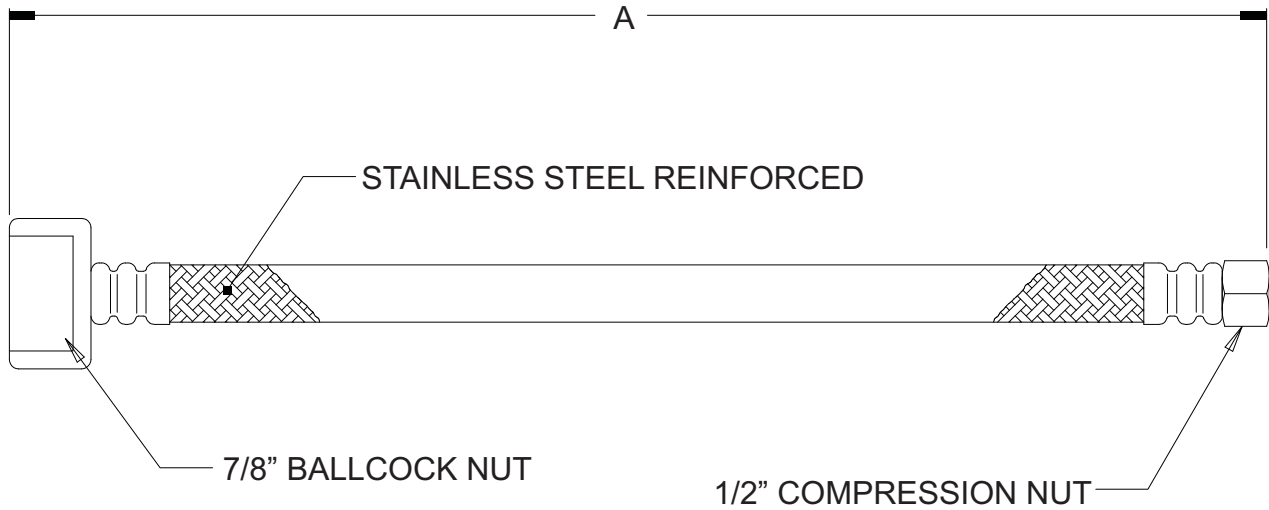


SPECIFICATION SHEETS

The Keeney Manufacturing Company
 1170 Main Street · Newington, CT 06111
 Phone: (800) 243-0526 · Fax: (860) 665-0374
 www.keeneymfg.com

DIMENSIONS	
PART #	A
PP23843	12"
PP23845	20"

ALL MEASURES IN INCHES



COMPRESSION INLET STAINLESS STEEL SUPPLY LINE

- PP23843 1/2" COMP X 7/8" BALLCOCK X 12"
- PP23845 1/2" COMP X 7/8" BALLCOCK X 20"

FOR TOILET
 1/2" COMPRESSION x 7/8" BALLCOCK

CROSS REFERENCE GUIDE

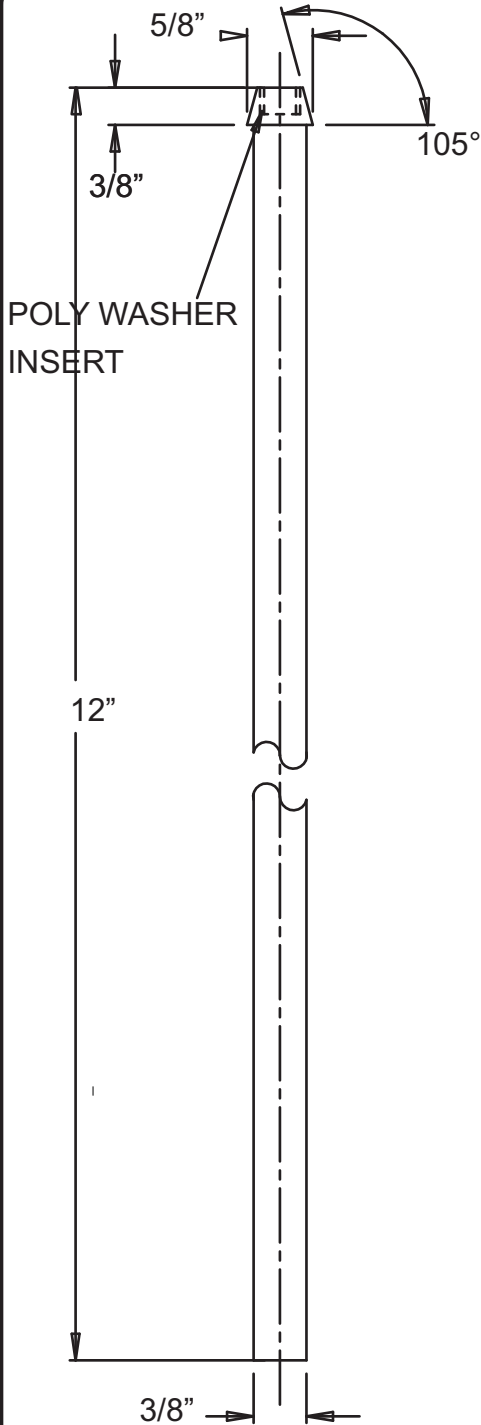
Keeney	PP23843	PP23845
Eljer	-	-
Kohler	-	-
AM. Standard	-	-
Crane	-	-
McGuire	SSCLO12050050	SSCO20050038
Watts	221 2TSS	222 0TSS
Dearborn	-	-
Zurn	Z8873-12-SS	Z8873-20-SS
Brasscraft	-	-



SPECIFICATION SHEETS

The Keeney Manufacturing Company
 1170 Main Street · Newington, CT 06111
 Phone: (800) 243-0526 · Fax: (860) 665-0374
 www.keeneymfg.com

ALL MEASURES IN INCHES



DIMENSIONS	
PART #	A
107001PC	12"
107002PC	20"
107004PC	36"

SMOOTH RISER TUBE

107001PC	3/8" OD X 12"
107002PC	3/8" OD X 20"
107004PC	3/8" OD X 36"

FOR LAVATORY
 3/8" OD. CHROME PLATED

CROSS REFERENCE GUIDE

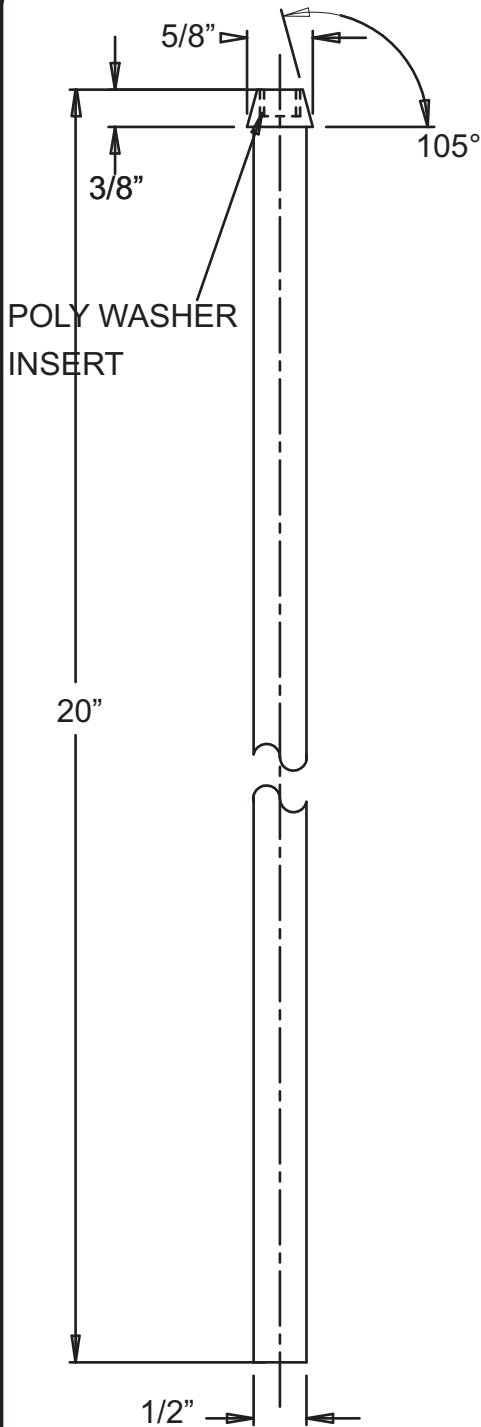
Keeney	107001PC	107002PC	107004PC
Eljer	-	-	-
Kohler	-	-	-
AM. Standard	-	-	-
Crane	-	-	-
McGuire	M65	M66	M62
Watts	876 003	877 003	879 003
Dearborn	1812LB-1	1820LB-1	1836LB-1
Zurn	Z8972-12-PC	Z8972-20-PC	Z8972-36-PC
Brasscraft	1-12AC	1-20AC	1-36AC



SPECIFICATION SHEETS

The Keeney Manufacturing Company
1170 Main Street · Newington, CT 06111
Phone: (800) 243-0526 · Fax: (860) 665-0374
www.keeneymfg.com

ALL MEASURES IN INCHES

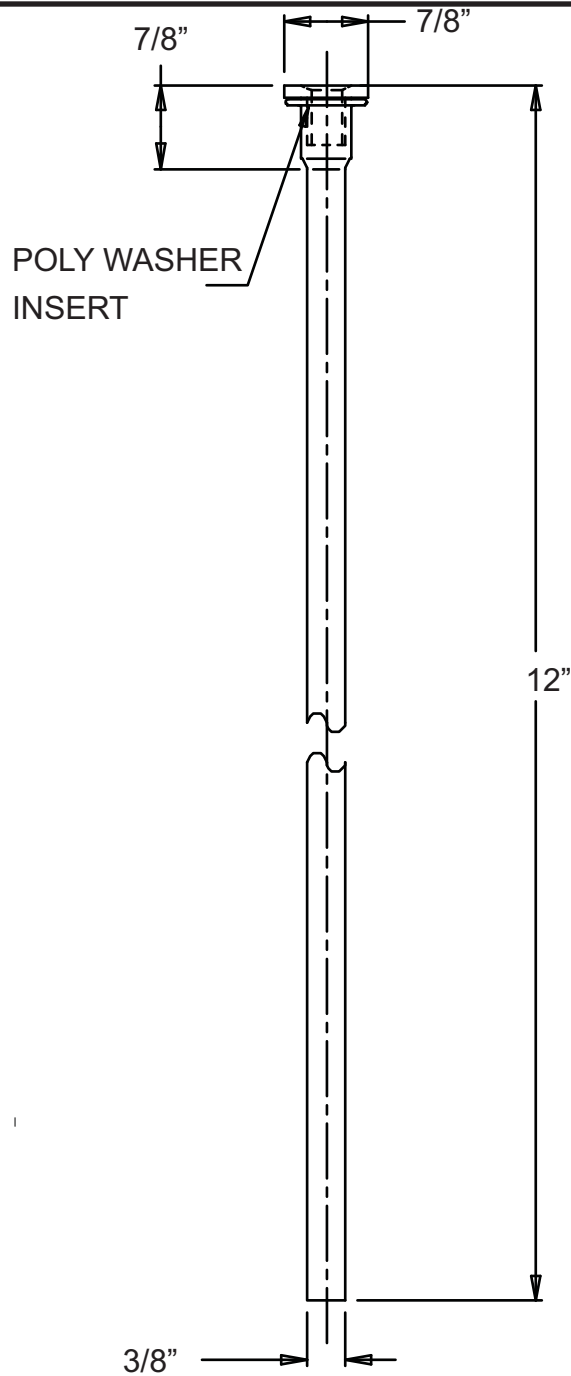


SMOOTH RISER TUBE
108002PC 1/2" OD X 20"

FOR LAVATORY
1/2" OD. CHROME PLATED

CROSS REFERENCE GUIDE

Keeney	108002PC
Eljer	-
Kohler	-
AM. Standard	-
Crane	-
McGuire	M68
Watts	877 003
Dearborn	1920LB-1
Zurn	Z8973-20-PC
Brasscraft	3-20AC



SPECIFICATION SHEETS

The Keeney Manufacturing Company
 1170 Main Street · Newington, CT 06111
 Phone: (800) 243-0526 · Fax: (860) 665-0374
 www.keeneymfg.com

ALL MEASURES IN INCHES

DIMENSIONS	
PART #	A
107050PC	12"
107051PC	20"

SMOOTH RISER TUBE

107050PC	3/8" OD X 12"
107051PC	3/8" OD X 20"

FOR TOILET
 3/8" OD. CHROME PLATED

CROSS REFERENCE GUIDE

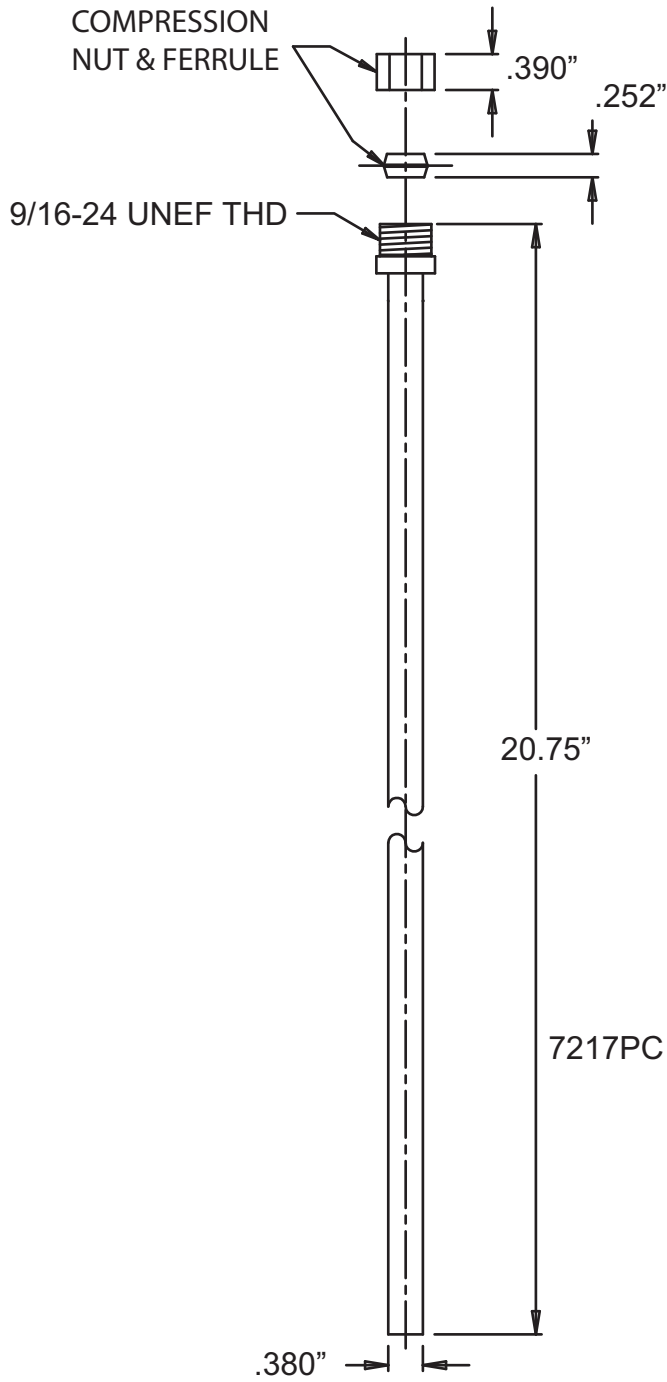
Keeney	107050PC	107051PC
Eljer	-	-
Kohler	-	-
AM. Standard	-	-
Crane	-	-
McGuire	M69	M70
Watts	880 003	881 003
Dearborn	1812CB-1	1820CB-1
Zurn	Z8974-12-PC	Z8974-20-PC
Brasscraft	1-12DLC	1-20DLC



SPECIFICATION SHEETS

The Keeney Manufacturing Company
1170 Main Street · Newington, CT 06111
Phone: (800) 243-0526 · Fax: (860) 665-0374
www.keeneymfg.com

ALL MEASURES IN INCHES



COMPRESSION RISER TUBE
7217PC 3/8" COMPRESSION X 3/8" OD X 20"

3/8" OD. CHROME PLATED.
INCLUDES NUT AND BRASS
COMPRESSION FERRULE.

CROSS REFERENCE GUIDE

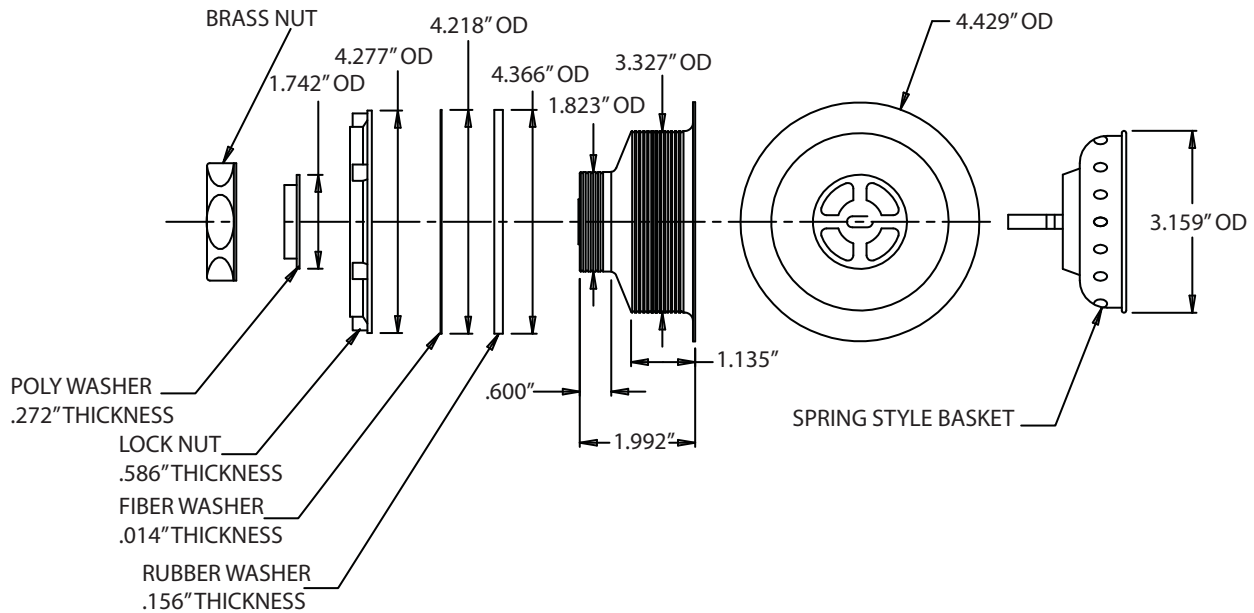
Keeney	7217PC
Eljer	-
Kohler	-
AM. Standard	-
Crane	-
McGuire	M66C
Watts	-
Dearborn	-
Zurn	-
Brasscraft	-



SPECIFICATION SHEETS

The Keeney Manufacturing Company
 1170 Main Street · Newington, CT 06111
 Phone: (800) 243-0526 · Fax: (860) 665-0374
 www.keeneymfg.com

ALL MEASURES IN INCHES



STAINLESS STEEL SPRING STYLE STRAINER 1437SS FOR 3 1/2" DIAMETER HOLE

STAINLESS STEEL BODY WITH STAINLESS STEEL SPRING BASKET.
 WITH NEOPRENE STOPPER. DIE CAST SLIP AND LOCKING NUTS.

CROSS REFERENCE GUIDE

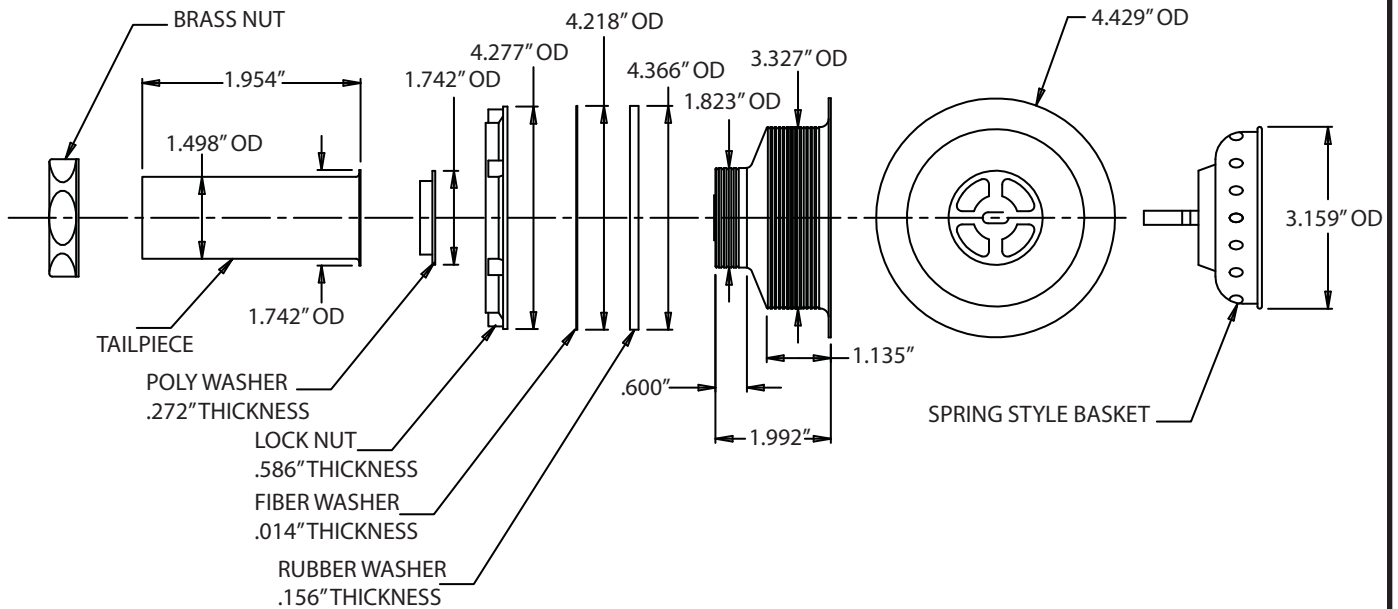
Keeney	1437SS
Eljer	-
Kohler	-
AM. Standard	-
Crane	-
McGuire	151ALT
Watts	654-003
Dearborn	6
Zurn	Z8741LTLBN-SS
Brasscraft	-



SPECIFICATION SHEETS

The Keeney Manufacturing Company
 1170 Main Street · Newington, CT 06111
 Phone: (800) 243-0526 · Fax: (860) 665-0374
 www.keeneymfg.com

ALL MEASURES IN INCHES



STAINLESS STEEL SPRING STYLE STRAINER WITH 2" TAILPIECE 1437SST FOR 3 1/2" DIAMETER HOLE

STAINLESS STEEL BODY WITH STAINLESS STEEL SPRING BASKET.
 WITH NEOPRENE STOPPER. DIE CAST SLIP AND LOCKING NUTS.

CROSS REFERENCE GUIDE

Keeney	1437SST
Eljer	-
Kohler	-
AM. Standard	4320.016
Crane	-
McGuire	151A
Watts	654-003ST
Dearborn	6T
Zurn	Z8741-SS
Brasscraft	-



SPECIFICATION SHEETS

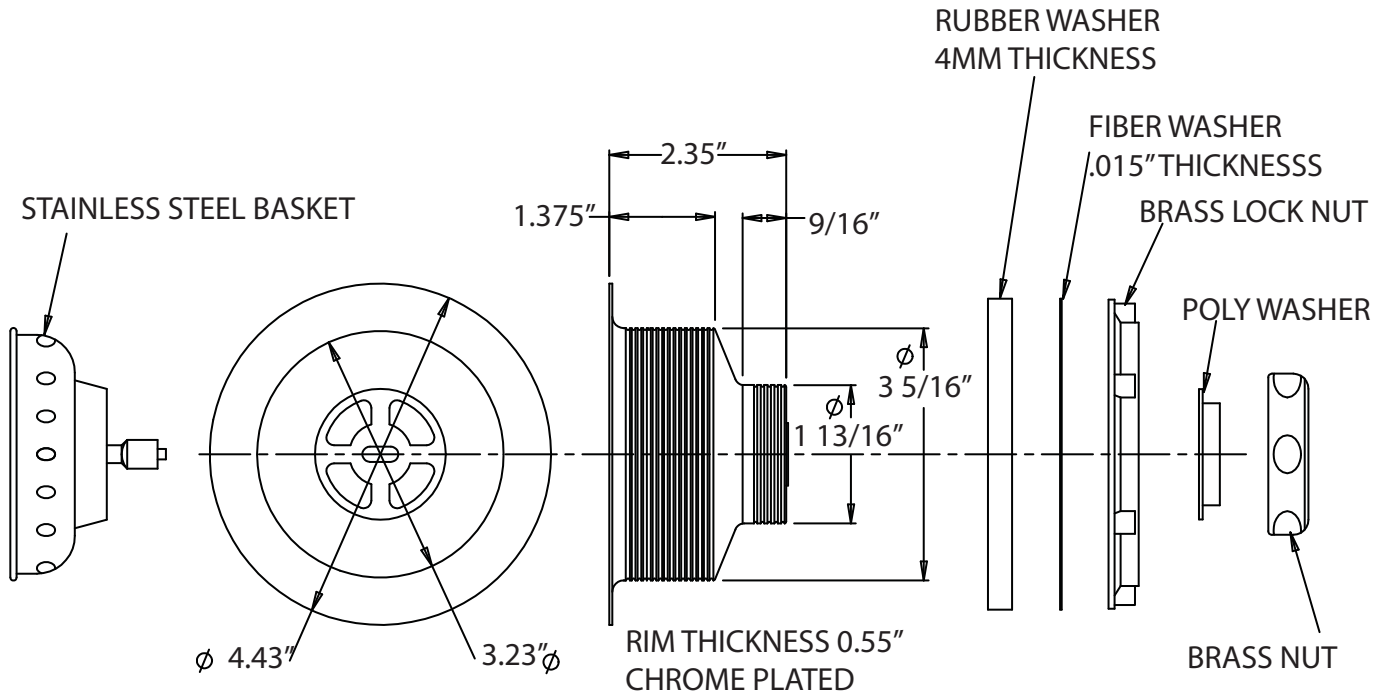
The Keeney Manufacturing Company

1170 Main Street · Newington, CT 06111

Phone: (800) 243-0526 · Fax: (860) 665-0374

www.keeneymfg.com

ALL MEASURES IN INCHES



SOLID BRASS STRAINER

2431NPCBNBL FOR 3 1/2" DIAMETER HOLE

POLISHED CHROME BRASS. STAINLESS STEEL FIXED POST BASKET.
BRASS NUT AND BRASS LOCK NUT.

CROSS REFERENCE GUIDE

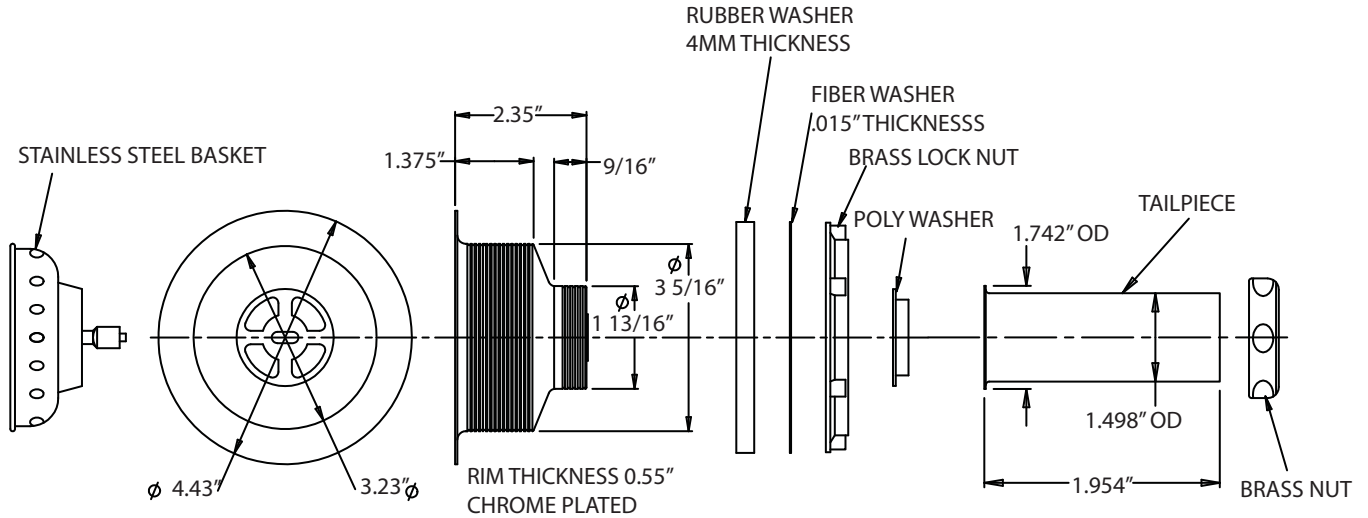
Keeney	2431NPCBNBL
Eljer	-
Kohler	-
AM. Standard	-
Crane	-
McGuire	151LT
Watts	-
Dearborn	-
Zurn	ZSS250BB-PC
Brasscraft	-



SPECIFICATION SHEETS

The Keeney Manufacturing Company
 1170 Main Street · Newington, CT 06111
 Phone: (800) 243-0526 · Fax: (860) 665-0374
 www.keeneymfg.com

ALL MEASURES IN INCHES



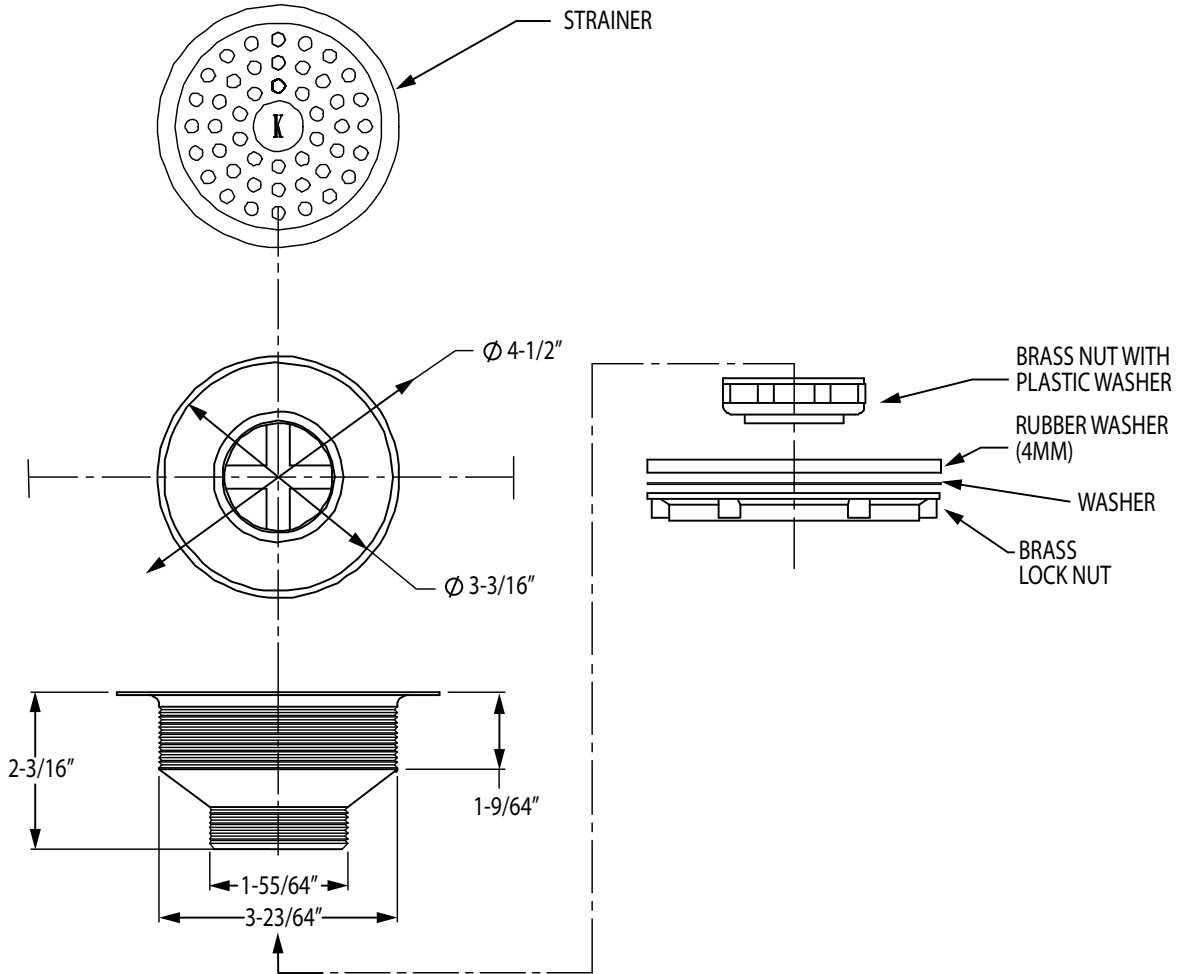
SOLID BRASS STRAINER WITH 2" TAILPIECE 2431NTPCBNBL FOR 3 1/2" DIAMETER HOLE

POLISHED CHROME BRASS. STAINLESS STEEL FIXED POST BASKET.
 BRASS NUT AND BRASS LOCK NUT.

CROSS REFERENCE GUIDE

Keeney	2431NTPCBNBL
Eljer	-
Kohler	-
AM. Standard	-
Crane	-
McGuire	151
Watts	-
Dearborn	-
Zurn	ZSS250WBB-PC
Brasscraft	-

ALL MEASURES IN INCHES



Cast Brass Strainer

1438PC For 3-1/2" Diameter Hole.

Metal Stopper - Commercial Grade. Polished Chrome. Ground Joint.
 Adjustable Drop Post Basket with O Ring Seal.

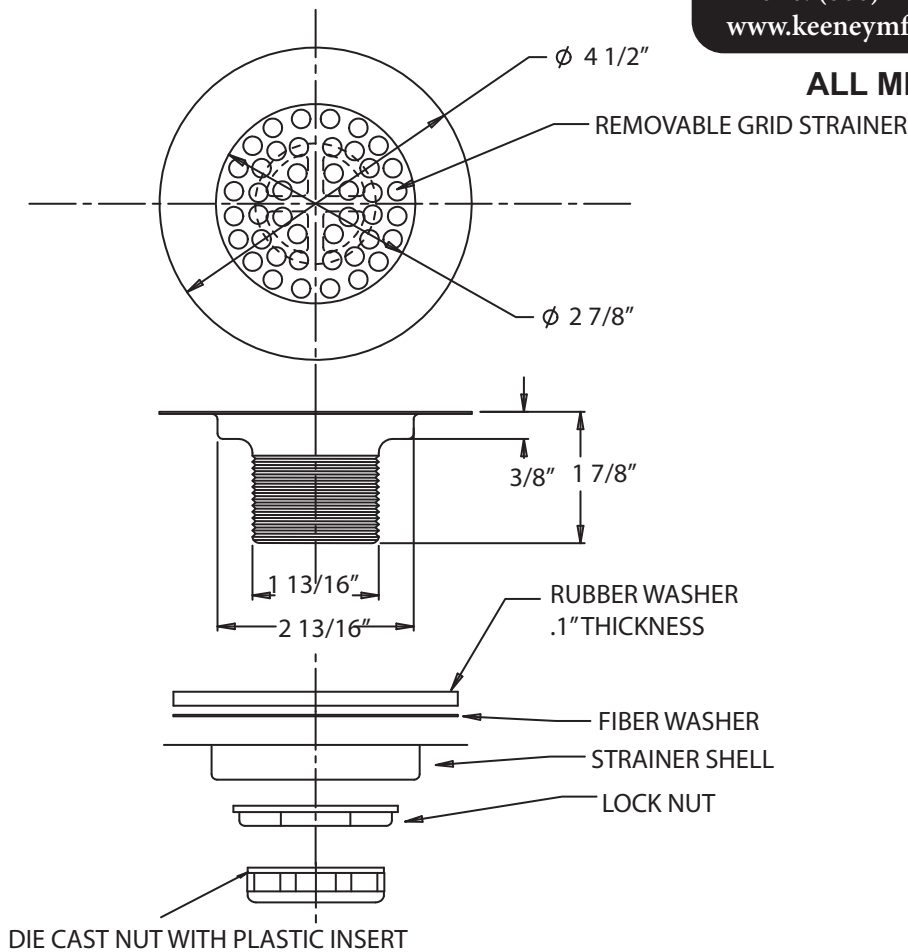
CROSS REFERENCE GUIDE

Keeney	Kohler	Eljer	AM. Standard	Crane	McGuire	Watts	Dearborn	Zurn
1438PC	K-8801	-	-	-	151	2-8-3H	816	Z8740-PC



SPECIFICATION SHEETS

The Keeney Manufacturing Company
 1170 Main Street · Newington, CT 06111
 Phone: (800) 243-0526 · Fax: (860) 665-0374
 www.keeneymfg.com



ALL MEASURES IN INCHES

BRASS WIDE FLANGE STRAINER

1376PC FOR 3 1/2" TO 4 1/2" DIAMETER HOLE

POLISHED CHROME BRASS. STAINLESS STEEL GRID.
 DIE CAST LOCK NUT AND SLIP NUT.

CROSS REFERENCE GUIDE

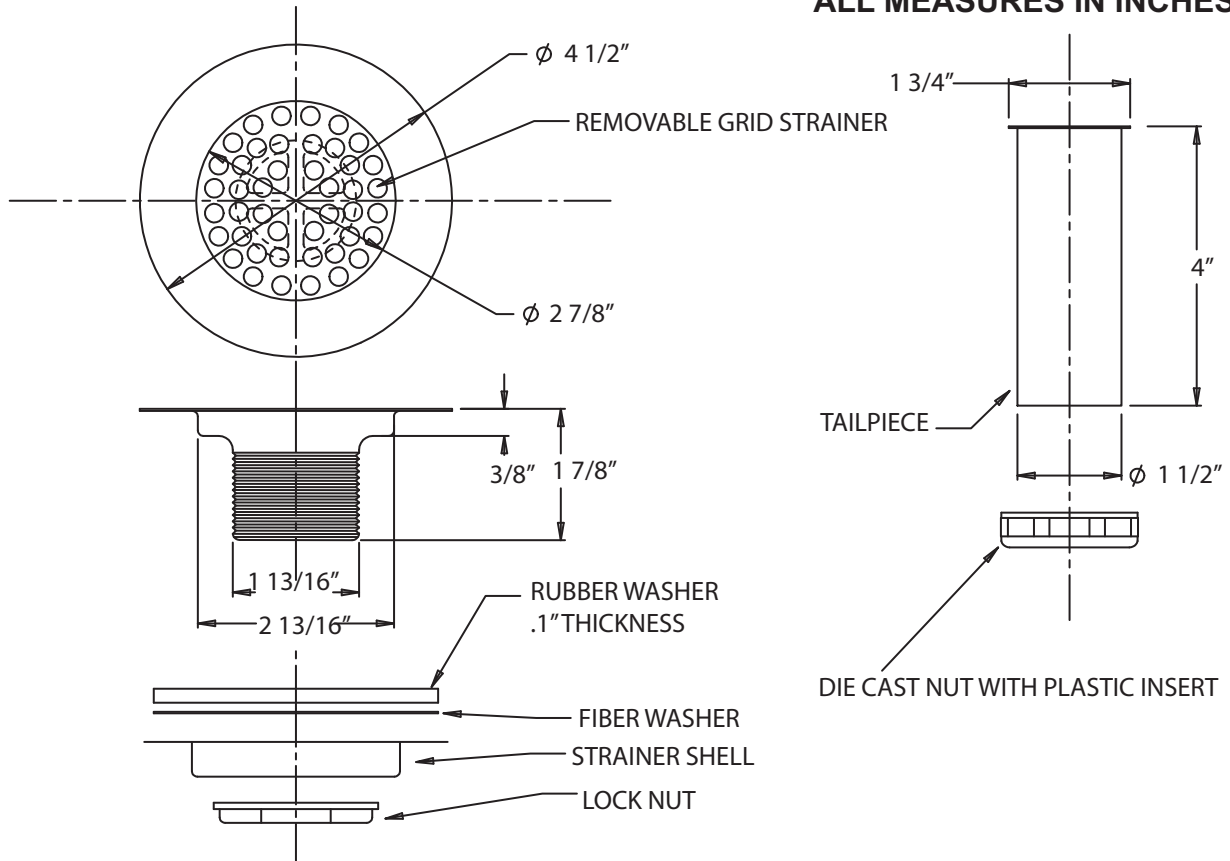
Keeney	1376PC
Eljer	-
Kohler	-
AM. Standard	-
Crane	-
McGuire	152LT
Watts	37657
Dearborn	815B
Zurn	Z8739LTLBN-PC
Brasscraft	-



SPECIFICATION SHEETS

The Keeney Manufacturing Company
 1170 Main Street · Newington, CT 06111
 Phone: (800) 243-0526 · Fax: (860) 665-0374
 www.keeneymfg.com

ALL MEASURES IN INCHES



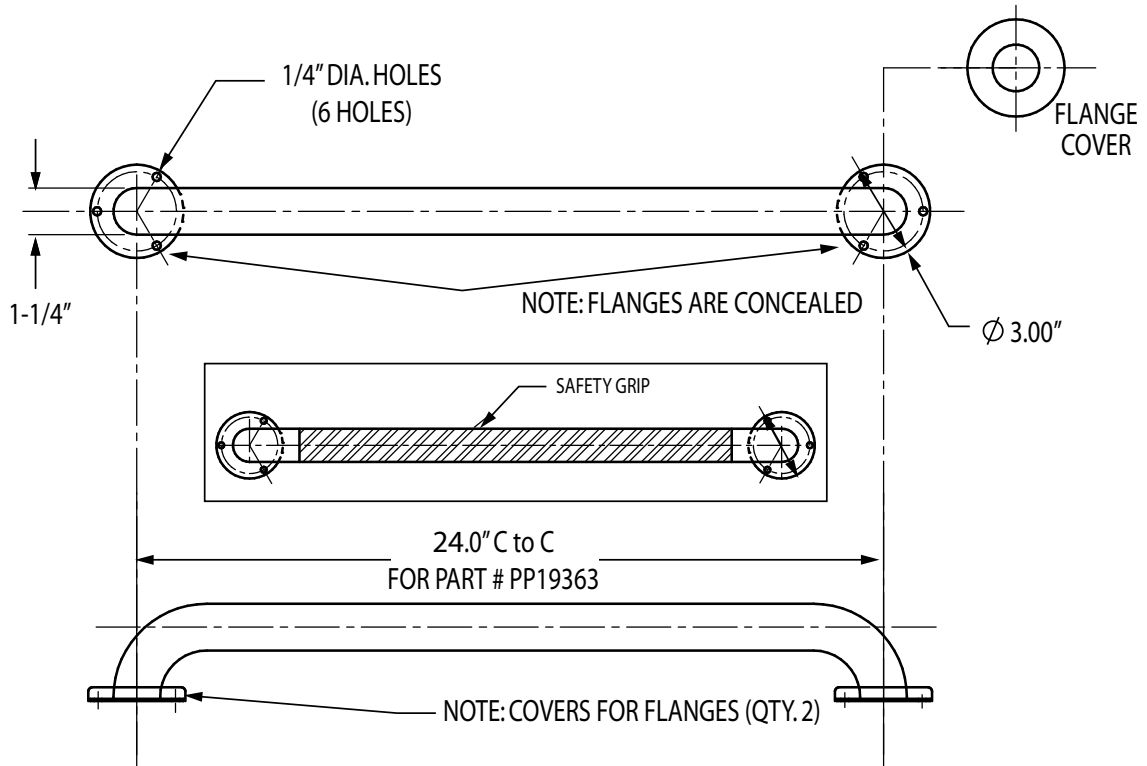
BRASS WIDE FLANGE STRAINER WITH 4" TAILPIECE
 1376TPC FOR 3 1/2" TO 4 1/2" DIAMETER HOLE

POLISHED CHROME BRASS. STAINLESS STEEL GRID.
 DIE CAST LOCK NUT AND SLIP NUT.

CROSS REFERENCE GUIDE

Keeney	1376TPC
Eljer	K8807
Kohler	-
AM. Standard	-
Crane	803-0570
McGuire	152
Watts	-
Dearborn	815BT
Zurn	Z8739-PC
Brasscraft	-

ALL MEASURES IN INCHES



Stainless Steel Handlebar™

PP19360	1-1/4" x 12"	PP19363	1-1/4" x 24"	PP19365	1-1/4" x 36"
PP19361	1-1/4" x 16"	PP19368	1-1/4" x 30"	PP19366	1-1/4" x 42"
PP19362	1-1/4" x 18"	PP19364	1-1/4" x 32"	PP19367	1-1/4" x 48"

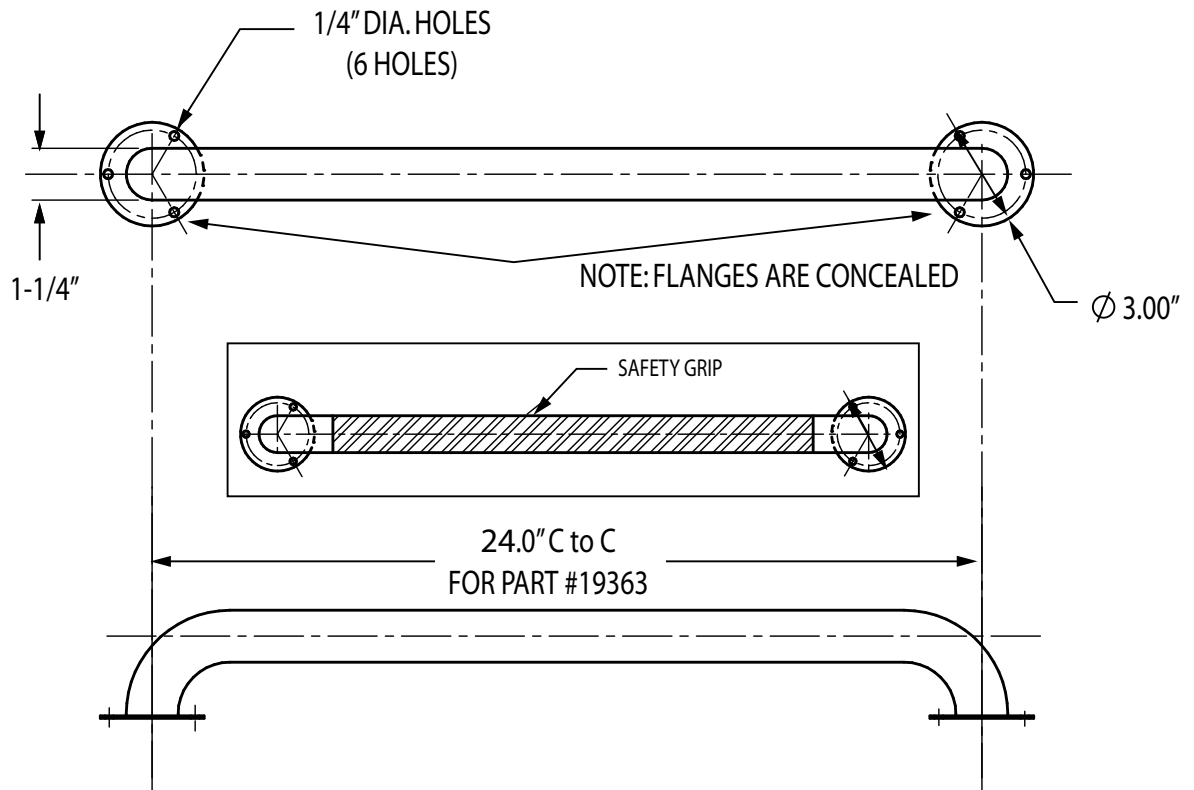
1-1/4". 18 Gauge. 304 Stainless Steel Tubing (.049) With Flanges to Conceal Screws.

For Safety Grip - Add Suffix "SG"

CROSS REFERENCE GUIDE

Keeney	Kohler	Eljer	AM. Standard	Crane	McGuire	Watts	Dearborn
PP19360	-	-	-	-	-	GBC1-12	DB8712
PP19361	-	-	-	-	-	GBC1-16	DB8716
PP19362	-	-	-	-	-	GBC1-18	DB8718
PP19363	-	-	-	-	-	GBC1-24	DB8724
PP19368	-	-	-	-	-	GBC1-30	DB8730
PP19364	-	-	-	-	-	GBC1-32	DB8732
PP19365	-	-	-	-	-	GBC1-36	DB8736
PP19366	-	-	-	-	-	GBC1-42	DB8742
PP19367	-	-	-	-	-	GBC1-48	DB8748

ALL MEASURES IN INCHES



Stainless Steel Handlebar™

PP19340	1-1/4" x 12"	PP19343	1-1/4" x 24"	PP19345	1-1/4" x 36"
PP19341	1-1/4" x 16"	PP19348	1-1/4" x 30"	PP19346	1-1/4" x 42"
PP19342	1-1/4" x 18"	PP19344	1-1/4" x 32"	PP19347	1-1/4" x 48"

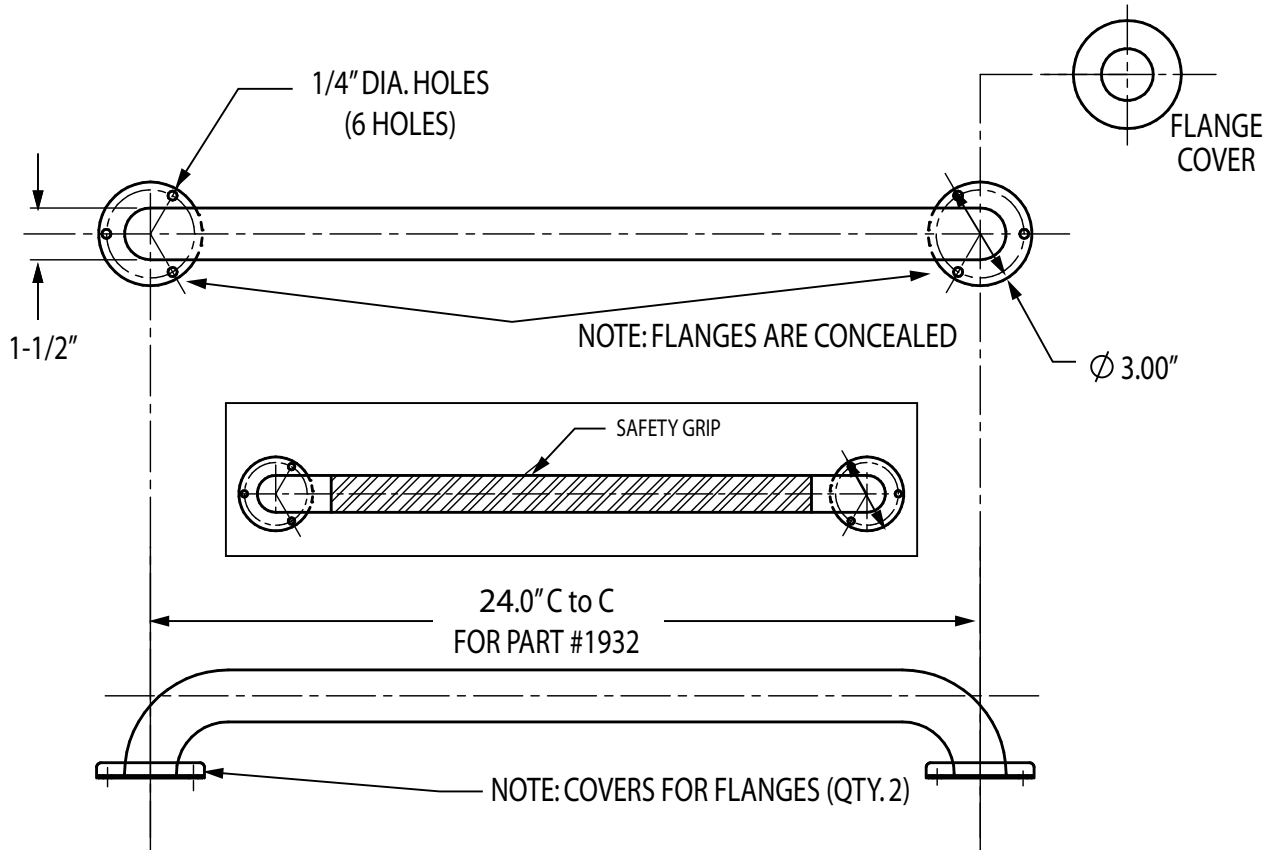
1-1/4". 18 Gauge. 304 Stainless Steel Tubing (.049) Exposed Screws.

For Safety Grip - Add Suffix "SG"

CROSS REFERENCE GUIDE

Keeney	Kohler	Eljer	AM. Standard	Crane	McGuire	Watts	Dearborn
PP19340	-	-	-	-	-	GBE1-12	DB7412
PP19341	-	-	-	-	-	GBE1-16	DB7416
PP19342	-	-	-	-	-	GBE1-18	DB7418
PP19343	-	-	-	-	-	GBE1-24	DB7424
PP19348	-	-	-	-	-	GBE1-30	DB7430
PP19344	-	-	-	-	-	GBE1-32	DB7432
PP19345	-	-	-	-	-	GBE1-36	DB7436
PP19346	-	-	-	-	-	GBE1-42	DB7442
PP19347	-	-	-	-	-	GBE1-48	DB7448

ALL MEASURES IN INCHES



Stainless Steel Handlebar™

PP1930	1-1/2" x 12"	PP1932	1-1/2" x 24"	PP1934	1-1/2" x 36"
PP1931	1-1/2" x 16"	PP1938	1-1/2" x 30"	PP1935	1-1/2" x 42"
PP1929	1-1/2" x 18"	PP1933	1-1/2" x 32"	PP1936	1-1/2" x 48"

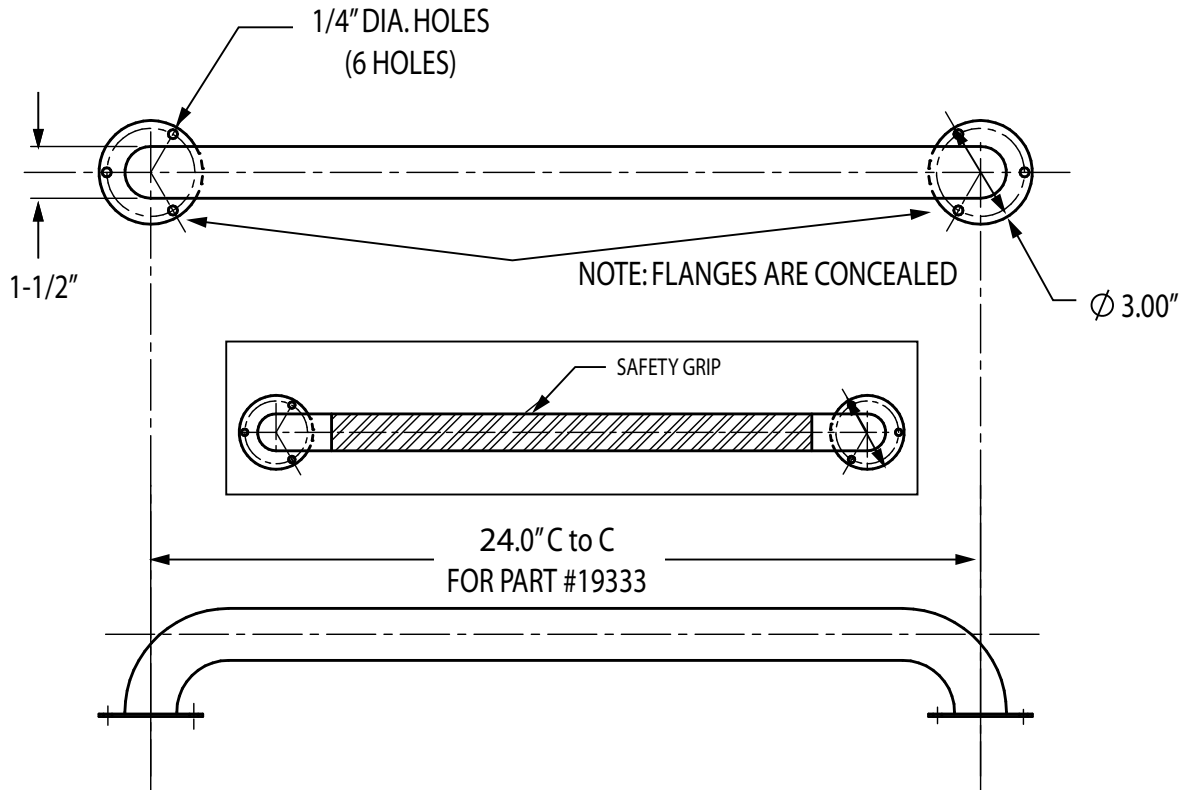
1-1/2". 18 Gauge. 304 Stainless Steel Tubing (.049) With Flanges to Conceal Screws.

For Safety Grip - Add Suffix "SG"

CROSS REFERENCE GUIDE

Keeney	Kohler	Eljer	AM. Standard	Crane	McGuire	Watts	Dearborn
PP1930	-	-	-	-	-	GBC2-12	DB8912
PP1931	-	-	-	-	-	GBC2-16	DB8916
PP1929	-	-	-	-	-	GBC2-18	DB8918
PP1932	-	-	-	-	-	GBC2-24	DB8924
PP1938	-	-	-	-	-	GBC2-30	DB8930
PP1933	-	-	-	-	-	GBC2-32	DB8932
PP1934	-	-	-	-	-	GBC2-36	DB8936
PP1935	-	-	-	-	-	GBC2-42	DB8942
PP1936	-	-	-	-	-	GBC2-48	DB8948

ALL MEASURES IN INCHES



Stainless Steel Handlebar™

PP19330	1-1/2" x 12"	PP19333	1-1/2" x 24"	PP19335	1-1/2" x 36"
PP19331	1-1/2" x 16"	PP19338	1-1/2" x 30"	PP19336	1-1/2" x 42"
PP19332	1-1/2" x 18"	PP19334	1-1/2" x 32"	PP19337	1-1/2" x 48"

1-1/2". 18 Gauge. 304 Stainless Steel Tubing (.049) Exposed Screws.

For Safety Grip - Add Suffix "SG"

CROSS REFERENCE GUIDE

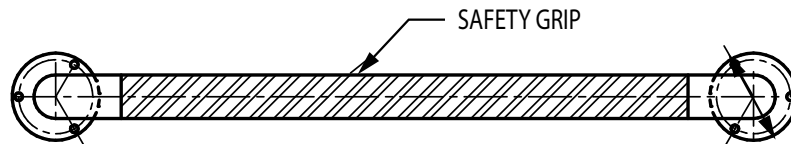
Keeney	Kohler	Eljer	AM. Standard	Crane	McGuire	Watts	Dearborn
PP19330	-	-	-	-	-	GBE2-12	DB7512
PP19331	-	-	-	-	-	GBE2-16	DB7516
PP19332	-	-	-	-	-	GBE2-18	DB7518
PP19333	-	-	-	-	-	GBE2-24	DB7524
PP19338	-	-	-	-	-	GBE2-30	DB7530
PP19334	-	-	-	-	-	GBE2-32	DB7532
PP19335	-	-	-	-	-	GBE2-36	DB7536
PP19336	-	-	-	-	-	GBE2-42	DB7542
PP19337	-	-	-	-	-	GBE2-48	DB7548



SPECIFICATION SHEETS

The Keeney Manufacturing Company
 1170 Main Street • Newington, CT 06111
 Phone: (800) 243-0526 • Fax: (860) 665-0374
 www.keeneymfg.com

ALL MEASURES IN INCHES



Stainless Steel Handlebar™ with Safety Grip

CROSS REFERENCE GUIDE

Dimensions*	Keeney	Kohler	Eijer	AM. Standard	Crane	McGuire	Watts	Dearborn
1 1/4" x 12"	PP19360SG	-	-	-	-	-	-	DB8712P
1 1/4" x 16"	PP19361SG	-	-	-	-	-	-	DB8716P
1 1/4" x 18"	PP19362SG	-	-	-	-	-	-	DB8718P
1 1/4" x 24"	PP19363SG	-	-	-	-	-	-	DB8724P
1 1/4" x 30"	PP19368SG	-	-	-	-	-	-	DB8730P
1 1/4" x 32"	PP19364SG	-	-	-	-	-	-	DB8732P
1 1/4" x 36"	PP19365SG	-	-	-	-	-	-	DB8736P
1 1/4" x 42"	PP19366SG	-	-	-	-	-	-	DB8742P
1 1/4" x 48"	PP19367SG	-	-	-	-	-	-	DB8748P
1 1/4" x 12"	PP19340SG	-	-	-	-	-	-	-
1 1/4" x 16"	PP19341SG	-	-	-	-	-	-	-
1 1/4" x 18"	PP19342SG	-	-	-	-	-	-	-
1 1/4" x 24"	PP19343SG	-	-	-	-	-	-	-
1 1/4" x 30"	PP19348SG	-	-	-	-	-	-	-
1 1/4" x 32"	PP19344SG	-	-	-	-	-	-	-
1 1/4" x 36"	PP19345SG	-	-	-	-	-	-	-
1 1/4" x 42"	PP19346SG	-	-	-	-	-	-	-
1 1/4" x 48"	PP19347SG	-	-	-	-	-	-	-
1 1/2" x 12"	PP1930SG	-	-	-	-	-	-	DB8912P
1 1/2" x 16"	PP1931SG	-	-	-	-	-	-	DB8916P
1 1/2" x 18"	PP1929SG	-	-	-	-	-	-	DB8918P
1 1/2" x 24"	PP1932SG	-	-	-	-	-	-	DB8924P
1 1/2" x 30"	PP1938SG	-	-	-	-	-	-	DB8930P
1 1/2" x 32"	PP1933SG	-	-	-	-	-	-	DB8932P
1 1/2" x 36"	PP1934SG	-	-	-	-	-	-	DB8936P
1 1/2" x 42"	PP1935SG	-	-	-	-	-	-	DB8942P
1 1/2" x 48"	PP1936SG	-	-	-	-	-	-	DB8948P
1 1/2" x 12"	PP19330SG	-	-	-	-	-	-	-
1 1/2" x 16"	PP19331SG	-	-	-	-	-	-	-
1 1/2" x 18"	PP19332SG	-	-	-	-	-	-	-
1 1/2" x 24"	PP19333SG	-	-	-	-	-	-	-
1 1/2" x 30"	PP19338SG	-	-	-	-	-	-	-
1 1/2" x 32"	PP19334SG	-	-	-	-	-	-	-
1 1/2" x 36"	PP19335SG	-	-	-	-	-	-	-
1 1/2" x 42"	PP19336SG	-	-	-	-	-	-	-
1 1/2" x 48"	PP19337SG	-	-	-	-	-	-	-

*Dimensions exposed or concealed

NUMERICAL INDEX



SPECIFICATION SHEETS

The Keeney Manufacturing Company

1170 Main Street · Newington, CT 06111

Phone: (800) 243-0526 · Fax: (860) 665-0374

www.keeneymfg.com

Part #	Page	Part #	Page	Part #	Page	Part #	Page
107001PC	51	2780PC	20	PP19333SG	66	PP19366SG	66
107002PC	51	2780PCLK	29	PP19334	65	PP19367	62
107004PC	51	2781PC	25	PP19334SG	66	PP19367SG	66
107050PC	53	2781PCLK	32	PP19335	65	PP19368	62
107051PC	53	385-6PC	5	PP19335SG	66	PP19368SG	66
108002PC	52	385PC	5	PP19336	65	PP19365SG	66
1376PC	60	455XF-6PC	8	PP19336SG	66	PP1938	64
1376TPC	61	455XPCABS	10	PP19337	65	PP1938SG	66
1437SS	55	455XPCPVC	10	PP19337SG	66	PP23801	46
1437SST	56	461XF-6PC	9	PP19338	65	PP23802	46
1438PC	59	461XPCABS	11	PP19338SG	66	PP23803	46
2047PC	17	461XPCPVC	11	PP1933SG	66	PP23804	47
2047PCC12CR	43	471PC	6	PP1934	64	PP23805	47
2047PCL12CR	40	473PC	7	PP19340	63	PP23808	46
2047PCLKC12CR	37	5303PC866CR	1	PP19340SG	66	PP23810	48
2047PCLKL12CR	34	5303PCDF	1	PP19341	63	PP23815	46
2048PC	17	5307PC	2	PP19341SG	66	PP23840	49
2048PCC12CR	43	5307PC867CR	2	PP19342	63	PP23843	50
2048PCL12CR	40	5311PC	2	PP19342SG	66	PP23845	50
2048PCLKC12CR	37	5311PC867CR	2	PP19343	63		
2048PCLKL12CR	34	5442SN	13	PP19343SG	66		
2049PC	18	5461X6PCDF	4	PP19344	63		
2049PCLK	27	5461XPC	3	PP19344SG	66		
2055PC	22	5461XPCCR	3	PP19345	63		
2058PC	23	5463XPC	3	PP19345SG	66		
2059PC	23	5680PC	14	PP19346	63		
2068PC	24	5680PCCR	14	PP19346SG	66		
2068PCLK	31	5681PC	15	PP19347	63		
2069PC	24	5682PC	16	PP19347SG	66		
2069PCLK	31	5700PC	12	PP19348	63		
2100PC	21	5700PCCR	12	PP19348SG	66		
2100PCC12CR	45	7217PC	54	PP1934SG	66		
2100PCL12CR	42	PP1929	64	PP1935	64		
2100PCLK	30	PP1929SG	66	PP1935SG	66		
2100PCLKC12CR	39	PP1930	64	PP1936	64		
2100PCLKL12CR	36	PP1930SG	66	PP19360	62		
2101PC	26	PP1931	64	PP19360SG	66		
2101PCLK	33	PP1931SG	66	PP19361	62		
2431NPCBNBL	57	PP1932	64	PP19361SG	66		
2431NTPCBNBL	58	PP1932SG	66	PP19362	62		
2622PC	19	PP1933	64	PP19362SG	66		
2622PCC12CR	44	PP19330	65	PP19363	62		
2622PCL12CR	41	PP19330SG	66	PP19363SG	66		
2622PCLK	28	PP19331	65	PP19364	62		
2622PCLKC12CR	38	PP19331SG	66	PP19364SG	66		
2622PCLKL12CR	35	PP19332	65	PP19365	62		
2624PC	19	PP19332SG	66	PP19365SG	66		
2624PCLK	28	PP19333	65	PP19366	62		

TERMS

1. Prices are subject to change without notice and we reserve the right to invoice all orders at prevailing prices at time of shipment. If any changes, additions, or deletions are made to prices, items, or details in our list price, they will take precedence over our current illustrated catalog.
2. 2% 10th Prox net end of month from invoice date.
3. A service charge of 18% per annum may be assessed against accounts that are 30 days past due.
4. No invoice will be rendered for less than \$100.00.
5. Product availability may be subject to our ability to obtain supplies and raw materials which may be limited by U.S. Government restriction.
6. Contracts and agreements are subject to strikes, fires, accidents or other causes beyond our control.

RETURNED GOODS

No goods will be accepted without a written returned goods authorization issued from Keeney's Customer Service Department. Subject to the terms of any applicable warranty, Keeney will replace defective parts without charge if authorization to return has first been properly granted. Where the nature of the return is other than for defective parts, a 25% handling charge will be assessed. Credit will be issued on authorized returns at invoiced price or current price based on Keeney list as of the date of return, whichever is lower, less any applicable Invoice Allowances.

BROKEN CARTONS

Broken cartons are not allowed for Keeney or Duracraft Plastics items which should be ordered in multiples of the standard pack. Product orders for less than standard packs will be increased to standard carton quantities.

CLAIMS

Subject to the terms of any applicable warranty, Keeney guarantees its products to be free from defects in material and workmanship, and shall replace, free of charge, any parts proving defective in material or workmanship. Damages or charges for labor in repairing or replacing material claimed or asserted by Customer will not be allowed. Credit will be granted at invoiced price or current price based on Keeney list as of the date of claim. All claims for product shortages must be submitted within five (5) days after receipt of shipment in order to be considered.

FREIGHT ALLOWANCE

Any combination of Keeney, Duracraft Plastics, and/or Plumb Pak materials sold with a net invoice total of \$1,500.00 or greater will ship F.O.B. Destination, Freight Prepaid, to one destination within the Continental United States. Shipments outside the Continental United States are shipped prepaid to a Freight Forwarder and expenses to the final destination are the responsibility of the customer. Express Shipments will ship at customer's expense, Prepay and Charge. The Keeney Manufacturing Company reserves the right to select carrier, method of shipment, and to ship at the lowest available rate. The Keeney Manufacturing Company will ship via a customer requested carrier, with expenses in excess of the lowest available rate, Prepay and Charge at the customer's expense. Title passes on delivery to carrier.

ADDITIONAL CHARGES

Federal or state taxes now and hereafter for which we may become liable shall be charged to, and paid by the buyer.

The Keeney Manufacturing Company & Duracraft Plastics



1170 Main Street, Newington, CT 06111
995 South McCarran Blvd #101, Sparks, NV 89431
300 Best Friend Court, Suite 360, Norcross, GA 30071

Telephone: (860) 666-3342 • Toll Free: 1-800-243-0526 • Fax (860) 665-0374
www.keeneymfg.com

LIT107 Copyright ©2010

THE KEENEY MANUFACTURING COMPANY

The Keeney Manufacturing Company, DBA Keeney Mfg., Duracraft Plastics, Plumb Pak and United Plumbing Technologies