

AUTOMATIC SHUT-OFF VALVE FOR WASHING MACHINES

TIMEOUT™

AUTOMATIC SHUT OFF VALVE



No wiring necessary,
new & existing
installation

Timer is manually set
for up to 2-1/2 hours,
valve automatically
shuts off after timing out

Tested for
10,000 cycles

cUPC and
IAPMO approved

A Readers Choice
"Product of the Year"
Contractor Magazine
December 2013 Issue



INTRODUCING KEENEY'S PATENTED TIMEOUT™ AUTOMATIC TIMER VALVE.

TimeOut™ is an automatic timer valve that is manually activated and automatically shuts off the water supply to washing machine hoses.

TimeOut™ eliminates pressure on hoses and prevents flooding in the case of a burst hose.



Mechanical valve for commercial and residential applications



Mixed Use



Educational



Laundry Rooms



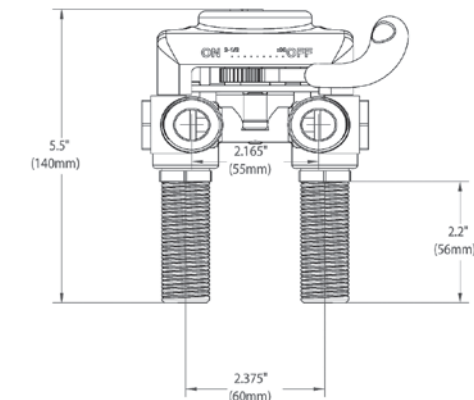
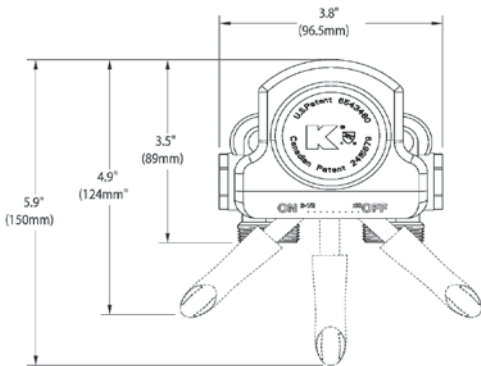
THE KEENEY
MANUFACTURING COMPANY
NEWINGTON, CT 06111 U.S.A.



Model: 2354RBBX



Model: 2354RBBXWHAK



Washing machine valve

Engineered to prevent laundry room flooding

Model: 2354



1/2" Inlets

Timer:

Set timer (from off to 2-1/2 hour range) manually
Automatically turns water off to hoses

Specification:

High copper content brass body laundry valve with automatic timer

- CUPC & IAPMO approved automatic shut off valve
- Manual timing range from off to 2-1/2 hours
- Valve factory tested to ensure leak free performance
- Valve shall be burst tested up to 500 PSI
- No wiring necessary
- Installs on new and existing installations
- Installs to copper, CPVC and PEX

Part number Description	TimeOut™ washing machine valve	Brass inlet connectors	Washing machine outlet box	Water hammer arrestors / Arm
2354 TimeOut™ washing machine valve				
2354RBBX TimeOut™ washing machine valve with threaded brass inlet connectors and outlet box				
2354RBBXWHA TimeOut™ washing machine valve with water hammer arrestors and outlet box				
NOTE: 2354RBBXWHAK Same as 2354RBBXWHA except packaging is plain box				
2354WARMKIT TimeOut™ washing machine valve with universal retro-fit kit with valve and arm				
2354WHAKIT TimeOut™ washing machine valve water hammer arrestor kit				
2354ARMKIT Retro-fit adapter arm kit				
2354ARM Cutttable retro-fit extension arm				
235452 Pair of 1/2" threaded brass inlet connectors				

Engineer / Architect approval:

Job name _____ Date: _____
 Model specified _____ Qty: _____
 Wholesaler _____
 Contractor _____
 Architect _____