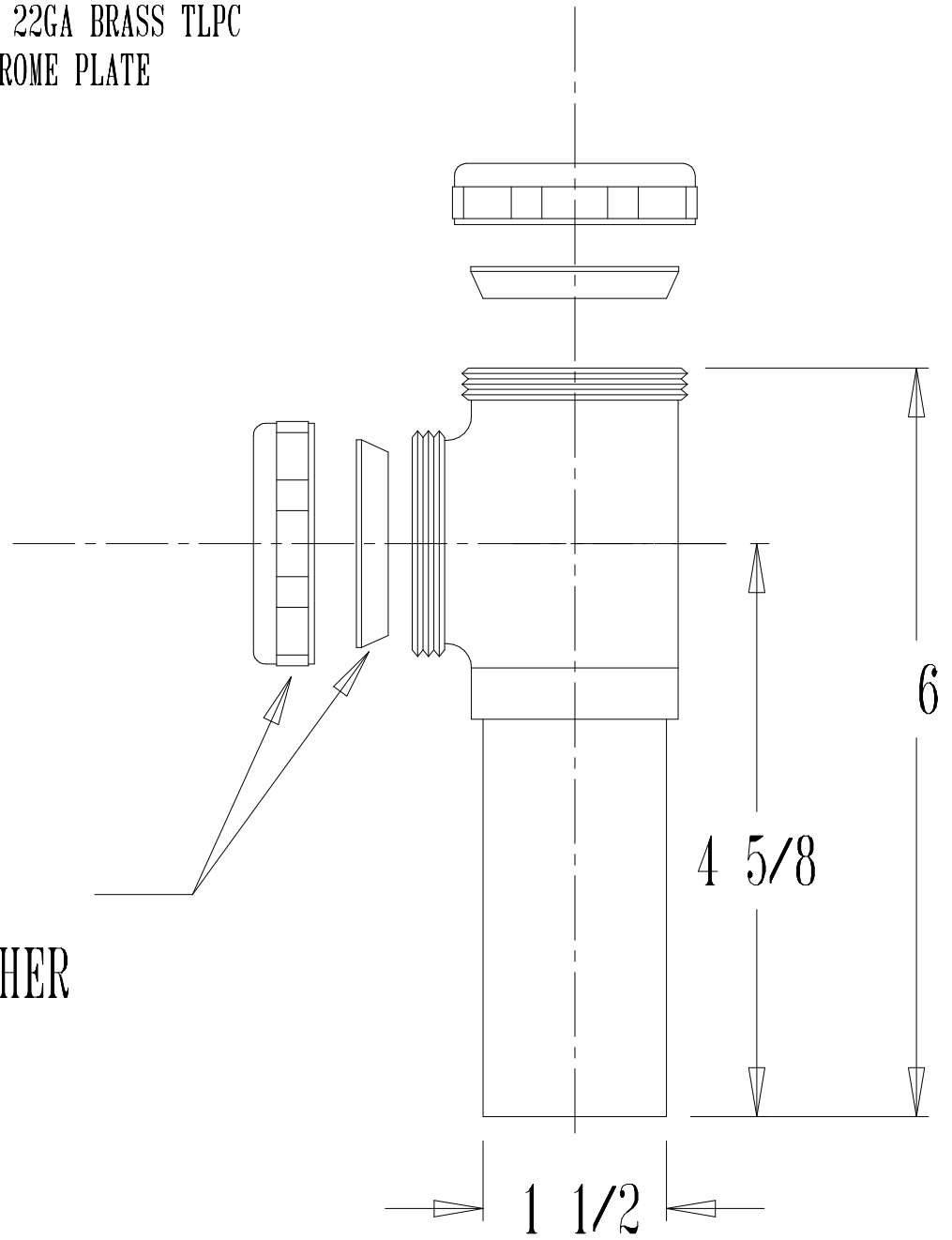


NOTES:

1. ALL DIMENSIONS IN INCHES.
2. MATERIAL: 22GA BRASS TLPC
3. FINISH: CHROME PLATE

ZINC NUT &
PLASTIC WASHER



KEENEY MANUFACTURING CO.
NEWINGTON, CT. 06111

TITLE: END OUTLET TEE & TLPC P/N: PP17CP

DWG BY: RKH DATE: 10/19/12 SCALE: SHOWN