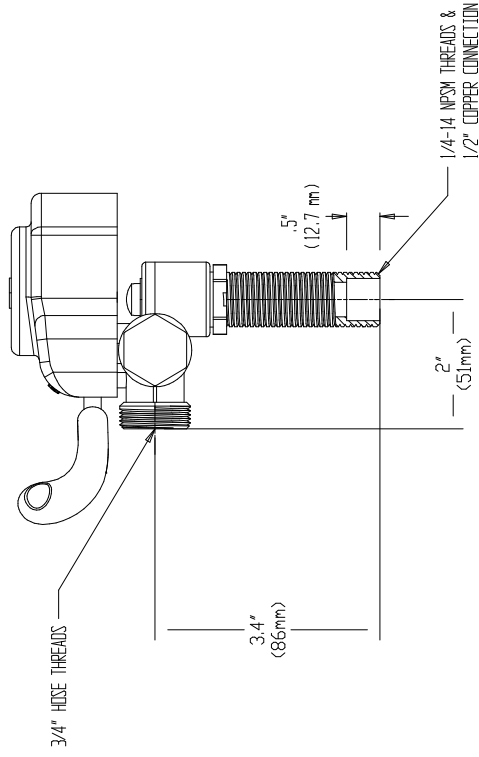
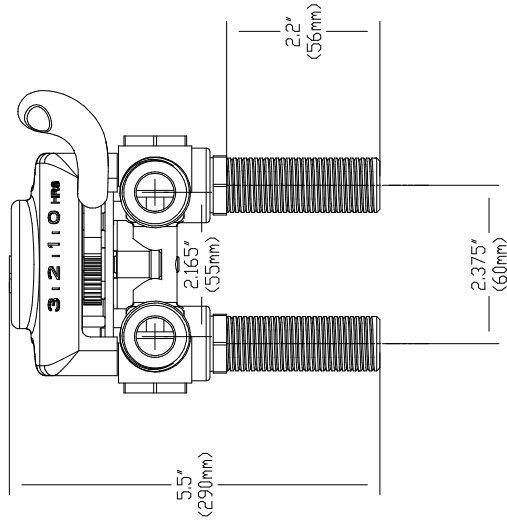
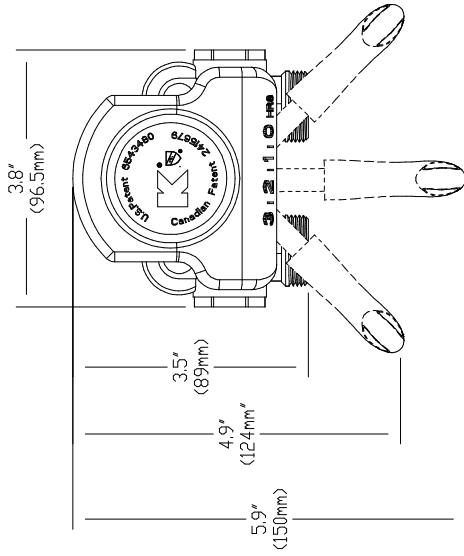


NOTES:

1. ALL DIMENSIONS ARE IN INCHES (MM).
2. MATERIAL: VARIOUS & BRASS



THE KEENEY MANUFACTURING COMPANY
NEWINGTON, CT

TITLE: TIMER VLV FOR WASH MACH. W/ SHANKS & WASHERS P/N:2354RB

DWG BY: RKH

DATE:10/31/13

SCALE:SHOWN