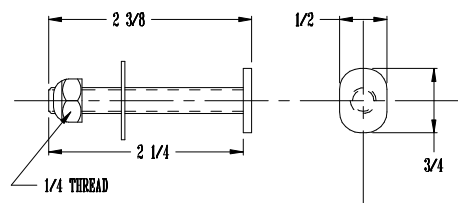
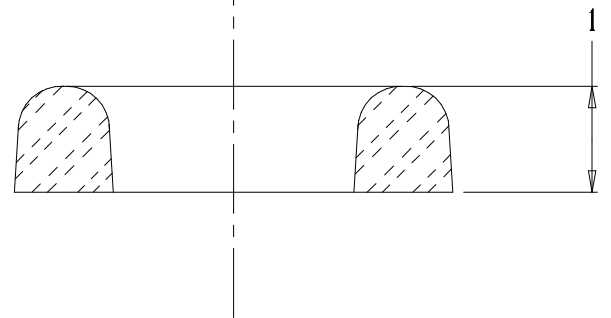
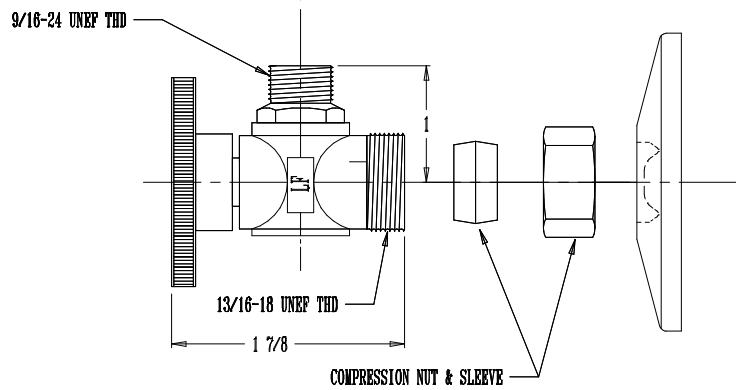


WAX RING
SECTION A-A



SET INCLUDES: 2 BOLTS, 2 NUTS & 2 WASHERS



- NOTES:
1. ALL DIMENSIONS ARE IN INCHES.
 2. MATERIAL: LOW LEAD BRASS
 3. FINISH: CHROME PLATE

THE KEENEY MANUFACTURING COMPANY NEWINGTON, CT	
TITLE: WATER CLOSET ROUGH IN KIT	P/N: MK-1078LP
DWG BY: RKH	DATE: 8/8/2014 SCALE: SHOWN