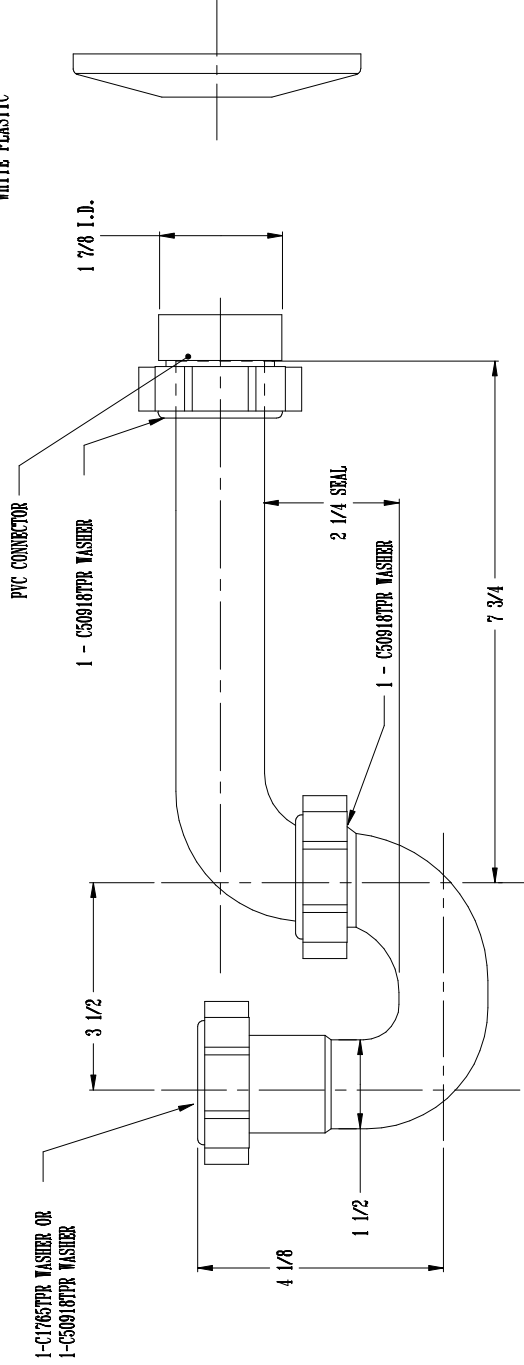
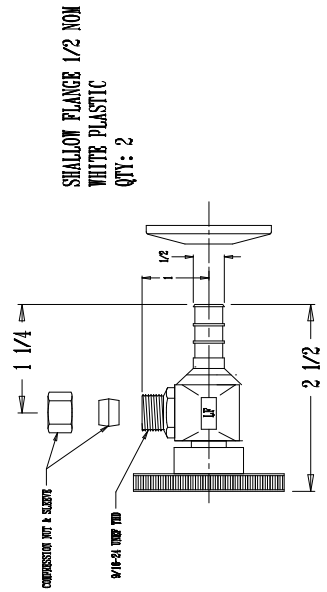


SHALLOW FLANGE 1/2 IPS
WHITE PLASTIC



QTR TURN ANGLE VALVE 1/2 NON PEX
INLET X 3/8 OD LEAD FREE
QTY: 2



- NOTES:
1. ALL DIMENSIONS IN INCHES
 2. MATERIAL: POLYPROPYLENE TUBING
LOW LEAD CHROME PLATED BRASS VALVES
 3. INCLUDES ALL NECESSARY NUTS & WASHERS

THE KEENEY MANUFACTURING COMPANY NEWINGTON, CT 06111 U.S.A.	
TITLE: MASTERKIT FOR LAVATORY	P/N: MK-1094LF
DWG BY: RKH	DATE: 8/08/14 SCALE: SHOWN