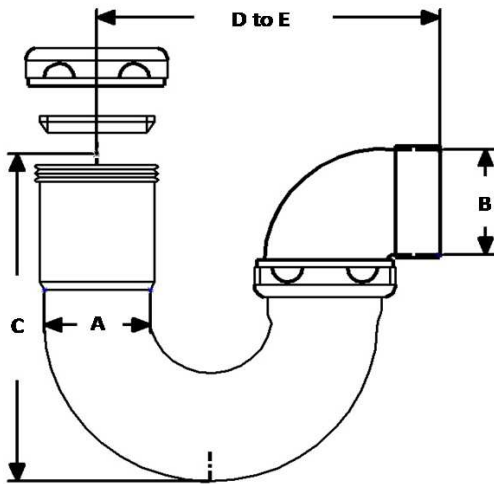




ADJUSTABLE STYLE SINK TRAP  
**PLUMBING PRODUCT SPECIFICATION**



**DESCRIPTION:**

Brass Sink trap, adjustable style.

**SPECIFICATION:**

Brass adjustable style p-trap for plumbing fixture.  
 Constructed of 17 or 20 gauge seamless brass & \* Brass Cast elbow.  
 Includes: J-bend, elbow, slip nuts, slip washers and wall flange.

- Seamless brass tube only
- Heavy duty chromium finish
- Seamless brass tube only
- Factory testing to insure leak free performance
- Industry approved
  - ✓ UPC/IAPMO
  - ✓ CSA
  - ✓ Mass Code Approved
  - ✓ LA Code Approved

**The Keeney Manufacturing Company**

1170 Main Street • Newington CT 06111  
 PH: 800-243-0526 • Email: ncs@upt.com

[www.keeneymfg.com](http://www.keeneymfg.com)

**Installation Measurements**

PART NO.	INLET OD (A")	OUTLET OD (B")	HEIGHT (C")	LENGTH (D TO E")	Clean out	Tube GA
453SN *	1 1/4	1 1/2	5	4 1/4	no	17*
454K	1 1/2	1 1/2	5	4 3/4	no	20*
454PC	1 1/2	1 1/2	5	4 3/4	no	20*
454SN	1 1/2	1 1/2	5	4 3/4	no	20*
454SSN	1 1/2	1 1/2	5	4 3/4	no	20*
454XFSN	1 1/2	1 1/2	5	4 3/4	no	20*
454XFSSN	1 1/2	1 1/2	5	4 3/4	no	20*
454XSNLF	1 1/2	1 1/2	5	4 3/4	no	20*
454XSSNLF	1 1/2	1 1/2	5	4 3/4	no	20*
455SN	1 1/2	1 1/2	5	4 3/4	no	17*
455SNBN	1 1/2	1 1/2	5	4 3/4	no	17*
455SRBBN *	1 1/2	1 1/2	5	4 3/4	no	17*
455XF-6PC *	1 1/2	1 1/2	5	10 1/2	no	17*
455XFPC	1 1/2	1 1/2	5	4 3/4	no	17*
455XFSN	1 1/2	1 1/2	5	4 3/4	no	17*
455XPCABS	1 1/2	2	5	4 3/4	no	17*
455XPCPVC *	1 1/2	2	5	4 3/4	no	17*
455XPCPVC869	1 1/2	2	5	4 3/4	no	17*
455XPCPVCSF	1 1/2	2	5	4 3/4	no	17*
455XSNLF	1 1/2	2	5	4 3/4	no	17*
455XSNPVC	1 1/2	2	5	4 3/4	no	17*
459XFSN *	1 1/4	1 1/4	5	4 3/4	yes	17*
461XF-6PC *	1 1/2	2	5	10 3/4	yes	17*
461XF6PCDF *	1 1/2	2	5	10 3/4	yes	17*
461XFPC	1 1/2	2	5	4 3/4	yes	17*
461XFSN *	1 1/2	2	5	4 3/4	yes	17*
461XPCABS	1 1/2	2	5	4 3/4	yes	17*
461XPCABS869	1 1/2	2	5	4 3/4	yes	17*
461XPCPVC *	1 1/2	2	5	4 3/4	yes	17*
461XPCPVC869	1 1/2	2	5	4 3/4	yes	17*
461XSNPVC869	1 1/2	2	5	4 3/4	yes	17*
464XPC	1 1/2	1 11/16	4 1/2	5	no	20*
471PC *	1 1/2	1 1/2	5	7	no	17*
473PC *	1 1/2	1 1/2	5	7	yes	17*
487SN	1 1/4	1 1/4	4 5/8	4 1/2	no	22*
488SN	1 1/2	1 11/16	4 1/2	5	no	22*
488SSN	1 1/2	1 11/16	4 1/2	5	no	22*

\* Part #'s provided standard with Keeney's unique **Red TPE** "leak free technology" washers

**Part # Suffix Designations:**

- BN** - Brass nuts
- CP** - Chromium plated
- RB** - Rough brass Finish
- X** - Ground joint connection

**Specifier Approval**

Job Name	_____	Date	_____
Model	_____	Qty	_____
Wholesaler	_____		
Contractor	_____		
Architect	_____		

*Keeney Representative*  
 Stamp or label here