

MATERIAL	MOLDED VINYL
NOMINAL WALL	1/8" CONSTANT
DURONETER	55-65 - SHORE A
FASTENERS	INTERNAL REUSABLE FASTENERS
COLOR	WHITE
ASTM D 635	SELF EXTINGUISHED
BURNING CHARACTERISTICS	0 SEC (ATE) 0 MM (AEB)
BACTERIA/FUNGUS RESISTANCE	ASTM G21 AND G22/ REDU: 0 GROWTH
MAINTENANCE	USE COMMON DETERGENT
COMPLIANCE	ADA ARTICLES 4.19.4 CALIFORNIA ARTICLE P.1594B A.N.S.I. 4117.1 B.O.C.A. P1203.4

NOTES:

1. ALL DIMENSIONS ARE IN INCHES.

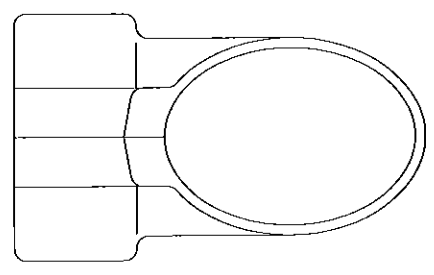
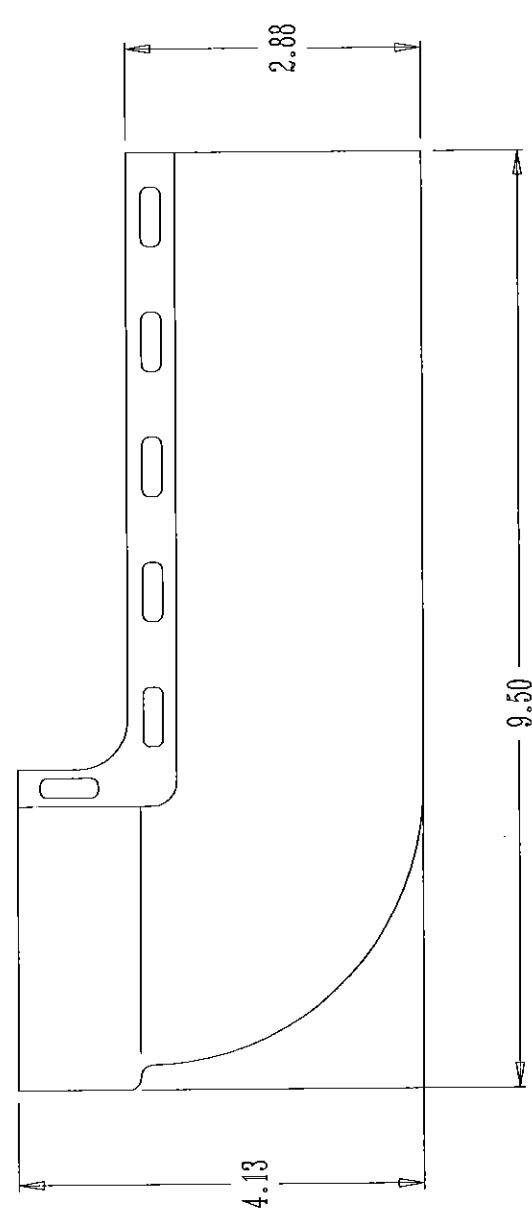
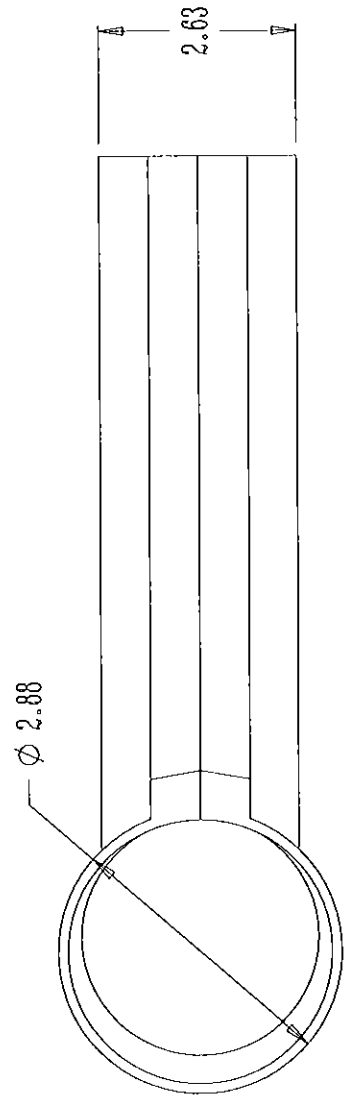
SHEET 1 OF 4

THE KEENEY MANUFACTURING COMPANY  
NEWINGTON, CT

TITLE: TRAP WRAP-ANGLE VALVE/SUPPLY COVER P/N: K503KN

DWG BY: RICH JAGOS DATE: 4/30/10 SCALE: SHOWN

MATERIAL	MOLDED VINYL
NOMINAL WALL	1/8" CONSTANT
DURUMETER	55-65 - SHORE A
PASTENERS	INTERNAL REUSABLE PASTENERS
COLOR	WHITE
ASTM D 635	SELF EXTINGUISHED
BURNING CHARACTERISTICS	0 SEC (ATB) 0 MM (ADB)
BACTERIA/FUNGUS RESISTANCE	ASTM G21 AND G22/ RESULT: 0 GROWTH
MAINTENANCE	USE COMMON DETERGENT
COMPLIANCE	ADA ARTICLES 4.19.4 CALIFORNIA ARTICLE P.1594B A.N.S.I. A117.1 B.O.C.A. P1203.4

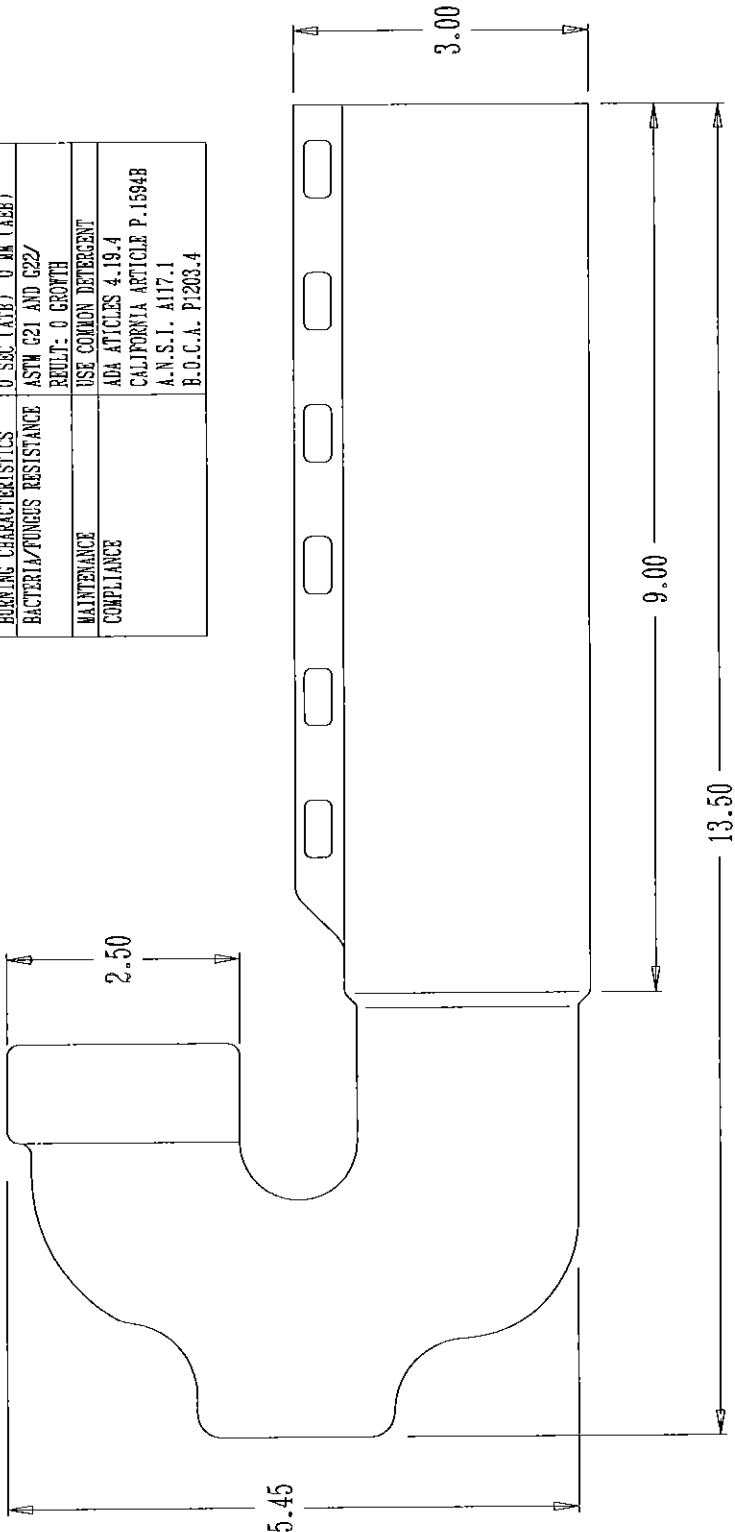
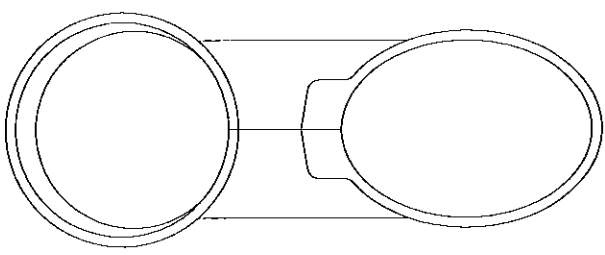


NOTES:  
1. ALL DIMENSIONS ARE IN INCHES.

SHEET 2 OF 4

THE KEENEY MANUFACTURING COMPANY NEWINGTON, CT	
TITLE: TRAP WRAP - WASTE ARM COVER	P/N: K503KN
DWG BY: RICH JAGOS	DATE: 4/30/10
SCALE: SHOWN	

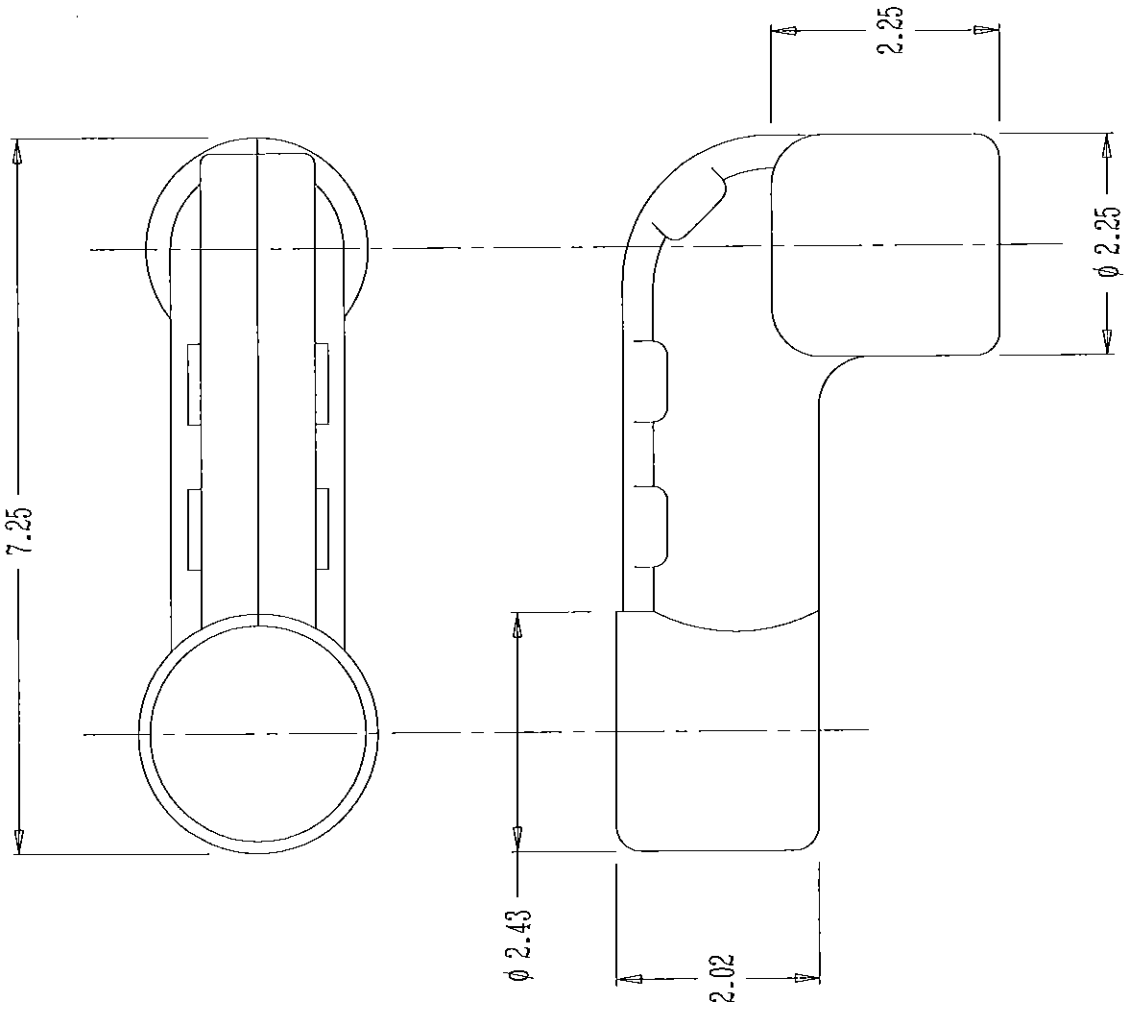
MATERIAL	MOLDED VINYL
NOMINAL WALL	1/8" CONSTANT
DUROMETER	55-65 - SHORE A
PASTENERS	INTERNAL REUSABLE PASTENERS
COLOR	WHITE
ASTM D 635	SELF EXTINGUISHER
BURNING CHARACTERISTICS	0 SEC (ATB) 0 MM (ABB)
BACTERIA/FUNGUS RESISTANCE	ASTM G21 AND G22/ RESULT: 0 GROWTH
MAINTENANCE COMPLIANCE	USE COMMON DETERGENT ADA ARTICLES 4.19.4 CALIFORNIA ARTICLE P.1594B A.N.S.I. A117.1 B.O.C.A. P1203.4



NOTES:  
1. ALL DIMENSIONS ARE IN INCHES.

SHEET 3 OF 4

THE KEENEY MANUFACTURING COMPANY	
NEWINGTON, CT	
TITLE: TRAP WRAP - J BEND COVER	P/N: K503KN
DWG BY: RICH JAGOS	DATE: 4/30/10 SCALE: SHOWN



MATERIAL	MOLDED VINYL
NOMINAL WALL	1/8" CONSTANT
DUREOMETER	55-65 - SHORE A
FASTENERS	INTERNAL REUSABLE FASTENERS
COLOR	WHITE
ASTM D 635	SELF EXTINGUISHED
BURNING CHARACTERISTICS	0 SEC (ATE) 0 MM (ARB)
BACTERIA/FUNGUS RESISTANCE	ASTM G21 AND G22/
	RESULT: 0 GROWTH
MAINTENANCE	USE COMMON DETERGENT
COMPLIANCE	ADA ARTICLES 4.19.4
	CALIFORNIA ARTICLE P.1594B
	A.N.S.I. A117.1
	B.O.C.A. P1203.4

NOTES:  
 1. ALL DIMENSIONS ARE IN INCHES.

SHEET 4 OF 4

THE KEENEY MANUFACTURING COMPANY  
 NEWINGTON, CT

TITLE: TRAP WRAP - OFFSET COVER      P/N: K503KN  
 DWG BY: RICH JAGOS      DATE: 4/30/10      SCALE: SHOWN