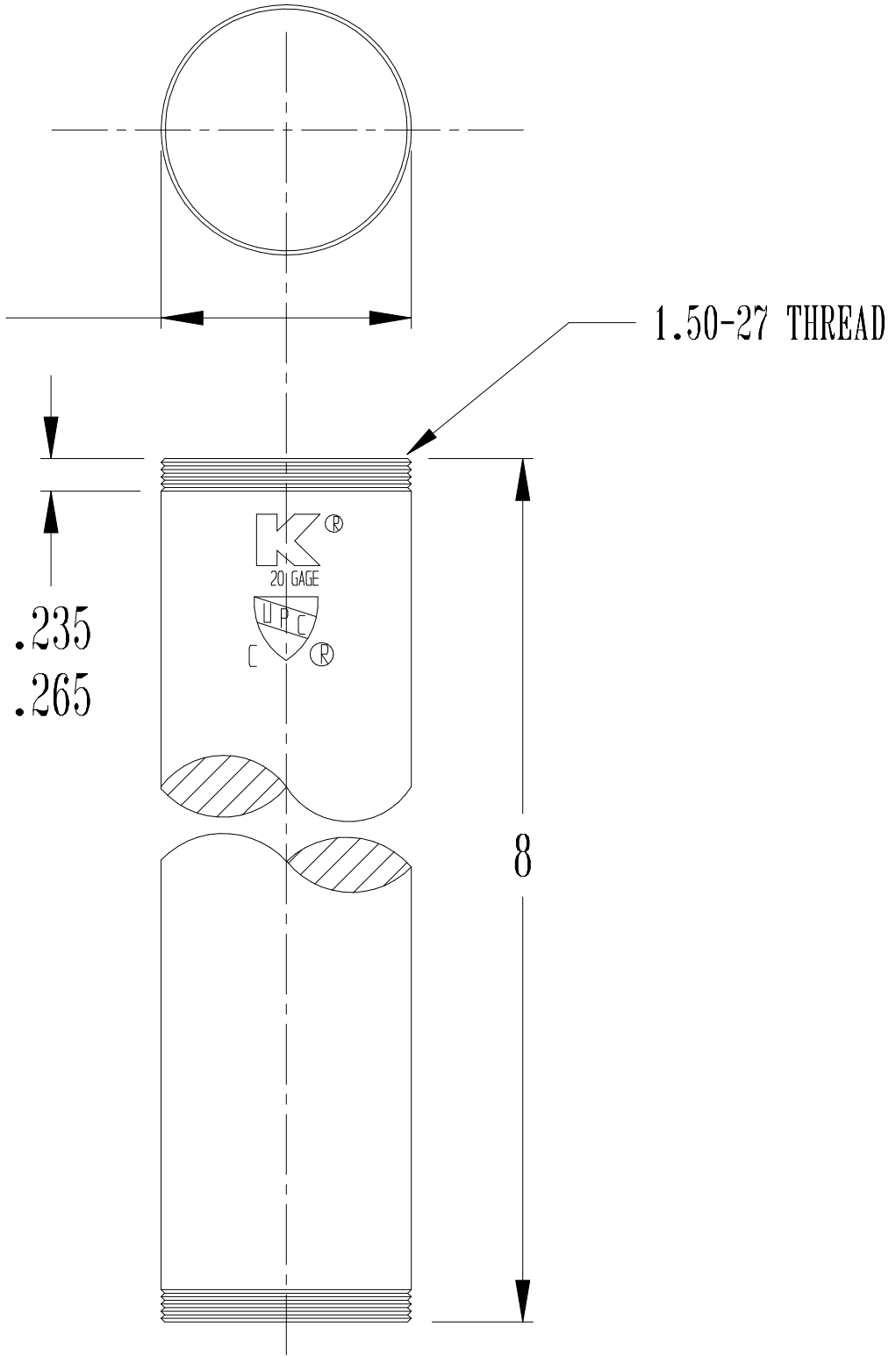


1.503
1.497 DIA.



THE KEENEY MANUFACTURING COMPANY
NEWINGTON, CT.

MATERIAL: 20GA BRASS
NOTE: ALL DIMENSIONS IN INCHES

TITLE: TUBE TBE 20 GA 1 1/2 X 8 P/N:1163PC

DWG BY: RKH

DATE: 8/20/12

SCALE: SHOWN