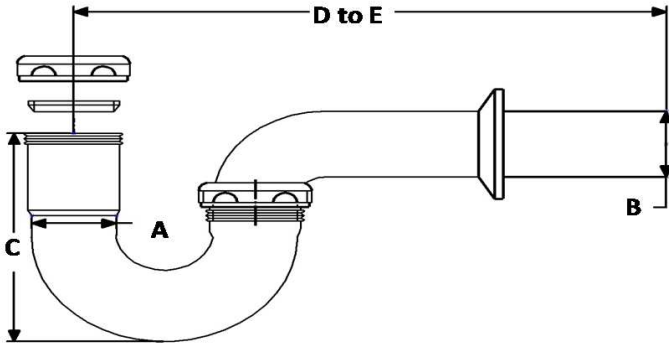




ADJUSTABLE STYLE BRASS P-TRAP WITHOUT CLEANOUT PLUG PLUMBING PRODUCT SPECIFICATION



DESCRIPTION:

Brass p-trap, adjustable style.

SPECIFICATION:

Brass adjustable style p-trap for plumbing fixture. Constructed of 20 or 22 gauge seamless brass. Includes: J-bend, wall bend, slip nuts, slip washers and wall flange.

- Seamless brass tube only
- Heavy duty chromium finish
- Factory testing to insure leak free performance
- Industry approvals

- ✓ UPC/IAPMO
- ✓ CSA
- ✓ Mass Code

Listing of parts approved for specific codes available. See Keeney contact information below

The Keeney Manufacturing Company

1170 Main Street • Newington CT 06111
PH: 800-243-0526 • Email: ncs@upt.com

www.keeneymfg.com

Installation Measurements

PART NO.	INLET OD (A")	OUTLET OD (B")	HEIGHT (C")	LENGTH (D TO E")	Tube GA
300CCP	* 1 1/4	1 1/4	4 1/4	9 1/2	22
300CCPDF	* 1 1/4	1 1/4	4 1/4	9 1/2	22
300CK	* 1 1/4	1 1/4	4 1/4	9 1/2	22
300CLCP	* 1 1/4	1 1/4	4 1/4	15	20
300CP	* 1 1/4	1 1/4	4 1/4	9 1/2	20
300CP866	* 1 1/4	1 1/4	4 1/4	9 1/2	20
300CPBN	* 1 1/4	1 1/4	4 1/4	9 1/2	20
300CPBNDF	* 1 1/4	1 1/4	4 1/4	9 1/2	20
300CPDF	* 1 1/4	1 1/4	4 1/4	9 1/2	20
300K	* 1 1/4	1 1/4	4 1/4	9 1/2	20
300LCP	* 1 1/4	1 1/4	4 1/4	15	20
300LCPDF	* 1 1/4	1 1/4	4 1/4	15	20
300PC	* 1 1/4	1 1/4	4 1/4	9 1/2	20
300RPC	* 1 1/4	1 1/4	4 1/4	5 1/2	20
300RPCBN	* 1 1/4	1 1/4	4 1/4	5 1/2	20
300RSN	* 1 1/4	1 1/4	4 1/4	5 1/2	20

* Part #'s provided standard with Keeney's unique **Red TPE** "leak free technology" washers

Part # Suffix Designations:

- BN** - Brass nuts
- CP** - Chromium plated
- DF** - Deep flange
- L** - 12" Wall bend
- LL** - 15" Wall bend
- RB** - Rough brass Finish
- X** - Ground joint connection

Specifier Approval

Job Name	_____	Date	_____
Model	_____	Qty	_____
Wholesaler	_____		
Contractor	_____		
Architect	_____		

Keeney Representative

Stamp or label here