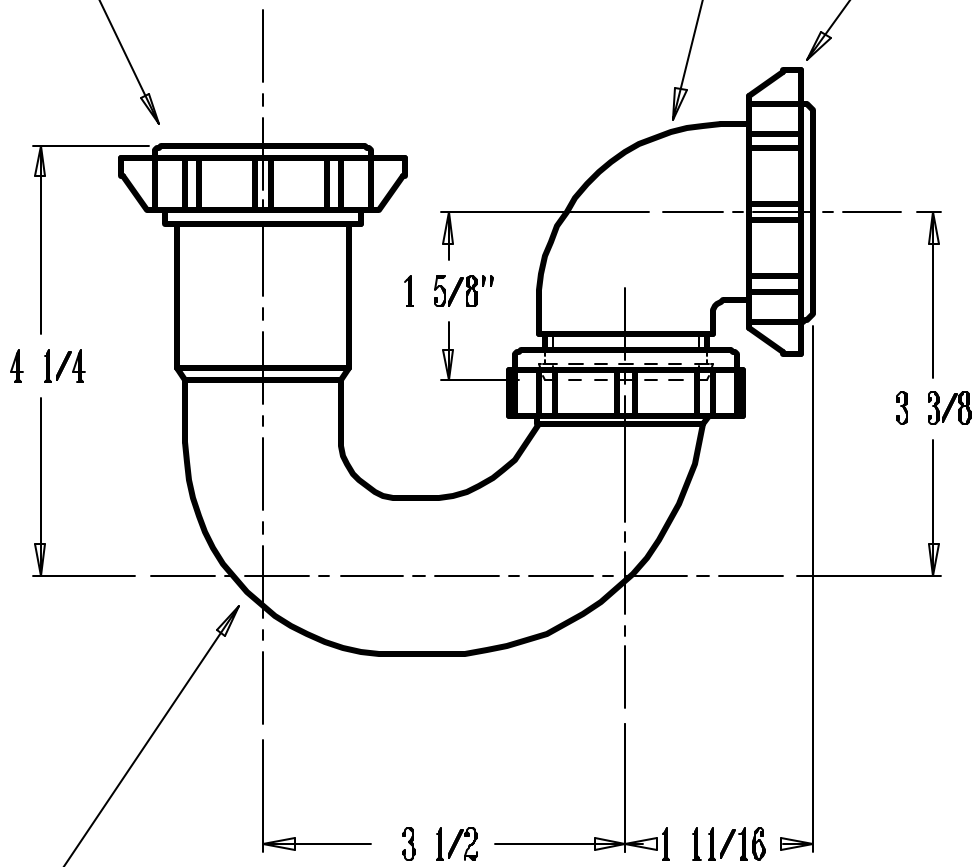


NOTE: 1 1/4" AND 1 1/2" I.D
PLASTIC WASHERS INCLUDED

MATERIAL: WHITE PVC

NOTE: 1 1/4" AND 1 1/2" I.D
PLASTIC WASHERS INCLUDED



MATERIAL: WHITE POLYPROPYLENE

NOTES:

1. ALL DIMENSIONS IN INCHES

THE KEENEY MANUFACTURING CO.
NEWINGTON, CT.

TITLE: 1 1/2" REPAIR TRAP P/N: 600PVC

DWG BY: M.KURO

DATE: 12/26/01

SCALE: SHOWN