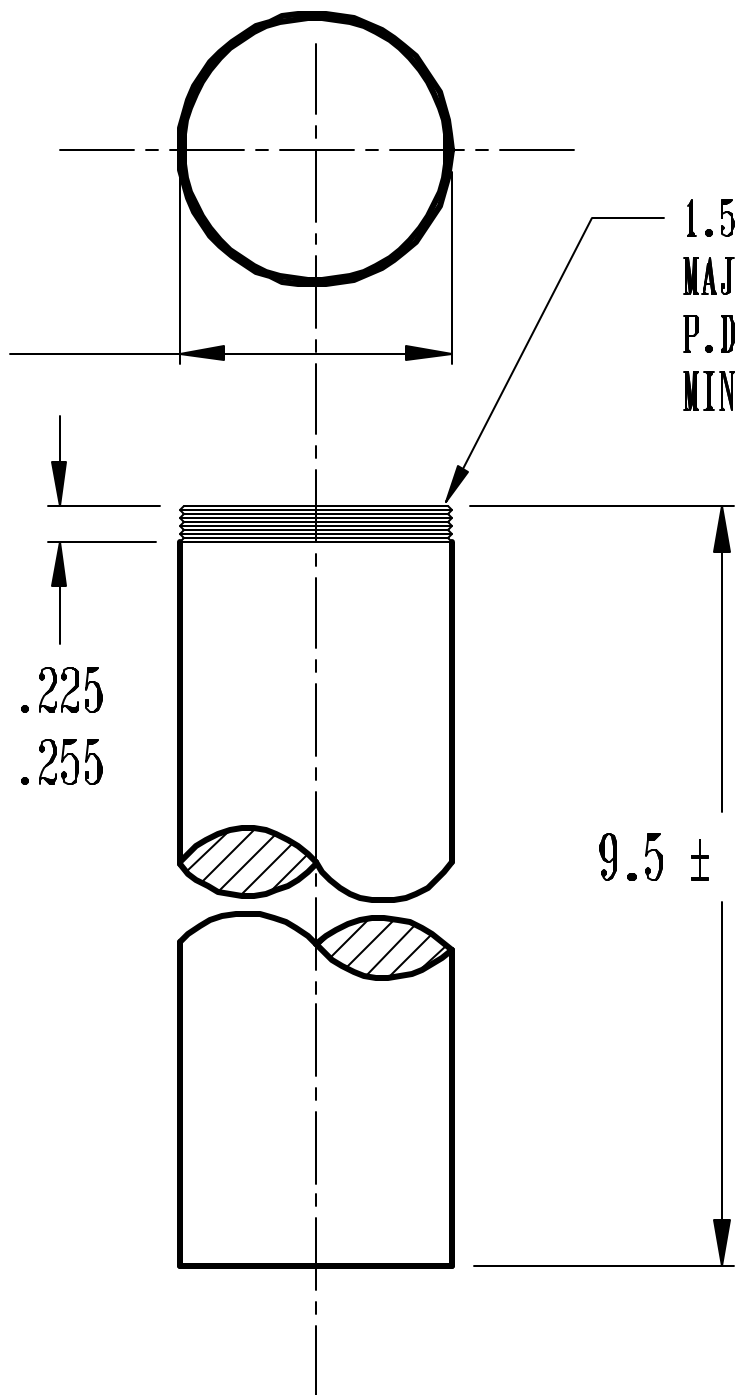


1.503
1.497 DIA.



1.50-27 UNS-2A
MAJ. DIA. 1.4920-1.4987
P.D. 1.4704-1.4746
MIN DIA. 1.457

9.5 ± .0625

.225
.255

MATERIAL: 17GA BRASS

THE KEENEY MANUFACTURING COMPANY
NEWINGTON, CT.

TITLE: 9 1/2 INCH TAILPIECE P/N:2774RBZ

NOTE: ALL DIMENSIONS IN INCHES

DWG BY: C. GRAHAM

REV DATE: 5/7/03

SCALE: SHOWN