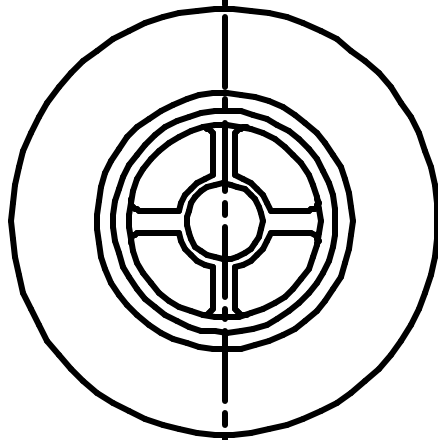
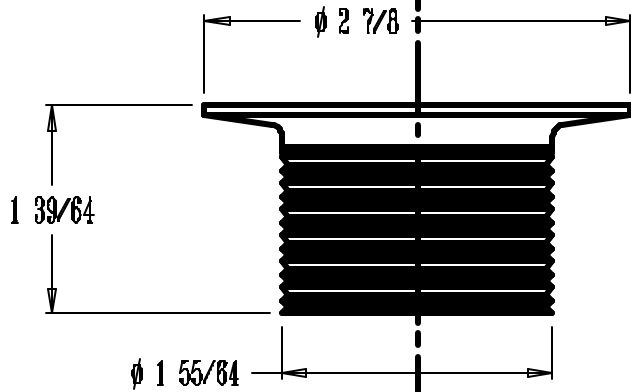


STAINLESS STEEL WASTE STRAINER



STAINLESS STEEL RIM



RUBBER GASKET

ABS LOCKNUT

RUBBER WASHER

POLYPROPYLENE NUT

- NOTES:
1. ALL DIMENSIONS ARE IN INCHES.
2. MATERIAL: ABS PLASTIC

THE KEENEY MANUFACTURING COMPANY
NEWINGTON, CT

TITLE: TRAY PLUG

P/N: 83SSABS

DWG BY: M. KURO

DATE: 9/19/05

SCALE: SHOWN