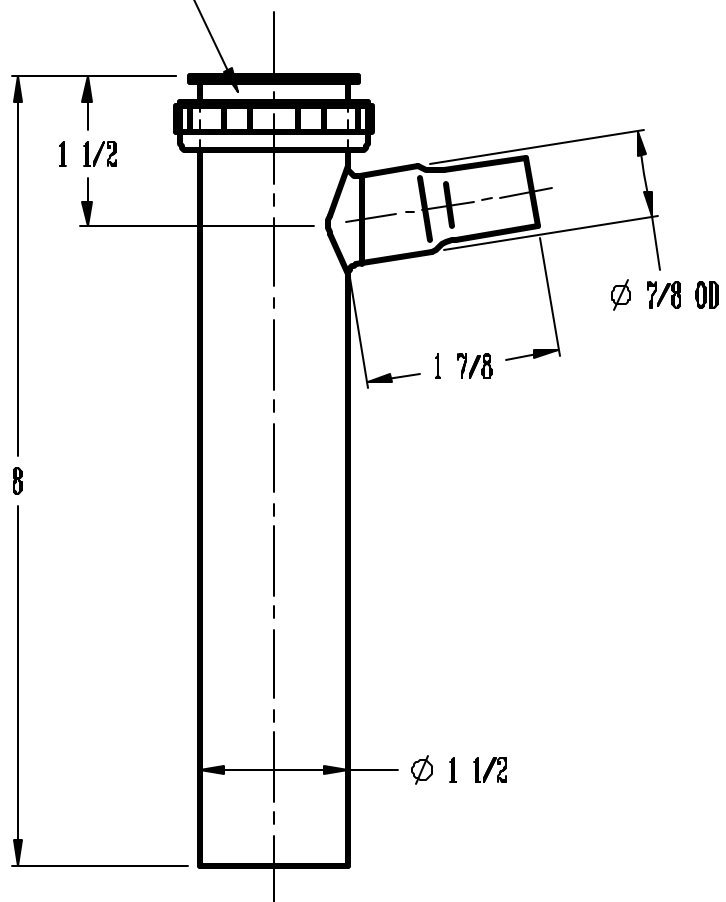


CAPTIVE NUT



NOTES:

1. ALL DIMENSIONS ARE IN INCHES.
2. MATERIAL: 17GA BRASS
3. FINISH: CHROME PLATE

THE KEENEY MANUFACTURING COMPANY
NEWINGTON, CT

TITLE: BRANCH TAILPIECE DIRECT CONNECTION P/N 47SSN
DWG BY: J. VEIJERSTRASS | DATE: 12/25/02 | SCALE: SHOWN