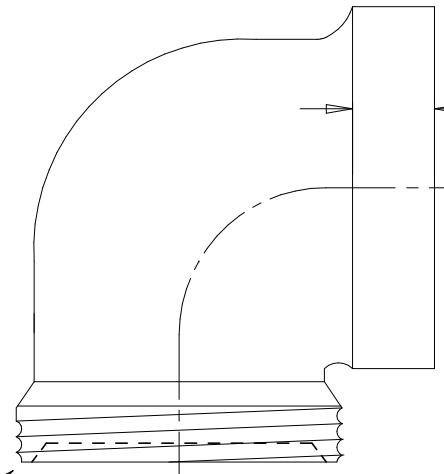


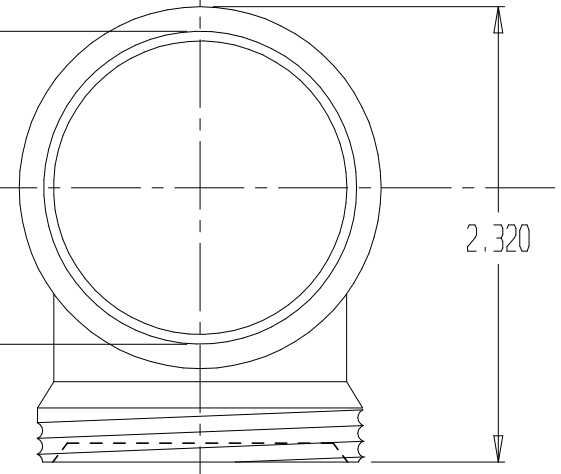
THRD SPEC.
1 1/2 X 1 1/2 NPSM



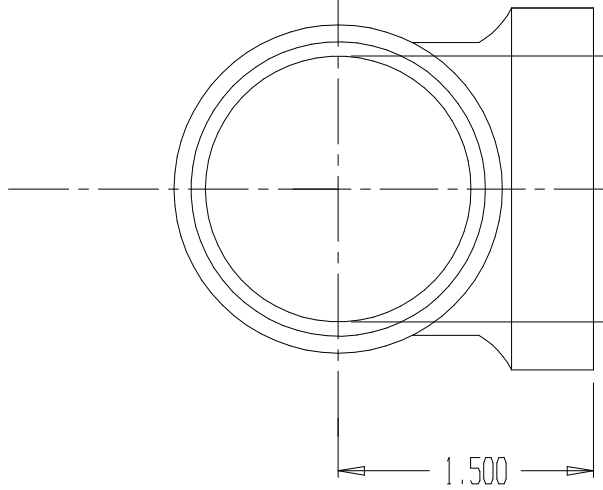
.617

1.629 I.D.

1 1/2 " COPPER SWEAT



2.320



1.520 I.D.

1.500

NOTES:

- 1. ALL DIMENSIONS IN INCHES.
- 2. MATERIAL: SATIN - CAST BRASS
- 3. FINISH: CHROME PLATE

THE KEENEY MANUFACTURING COMPANY
NEWINGTON, CT

TITLE: SINK TRAP ELBOW		P/N: 30299SN
DWG BY: RICH JAGOS	DATE: 11/23/10	SCALE: SHOWN