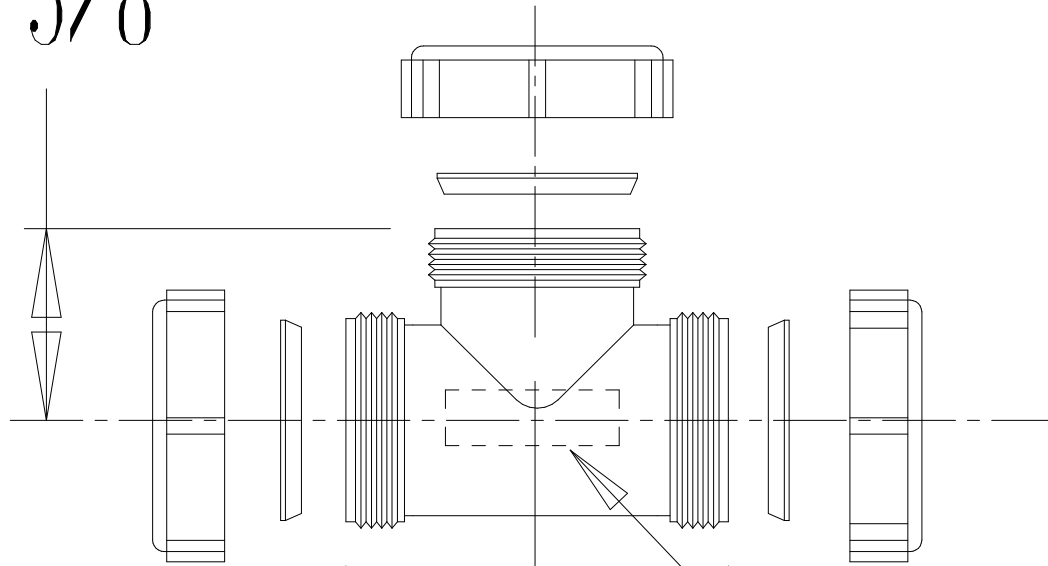


1 5/8




1 5/8

3 1/4

ASTM
1 1/2" TUBULAR
F 409
dp
PVC

NOTES:

1. ALL DIMENSIONS ARE IN INCHES.
2. MATERIAL: Polyvinyl chloride /
Acrylonitrile butadiene styrene

	THE KEENEY MANUFACTURING COMPANY NEWINGTON, CT U.S.A.
TITLE:	COUPLING TEE 3 WAY 1 1/2
P/N:	48PVC/ABS
DWG BY:	RKH
DATE:	1/11/2012