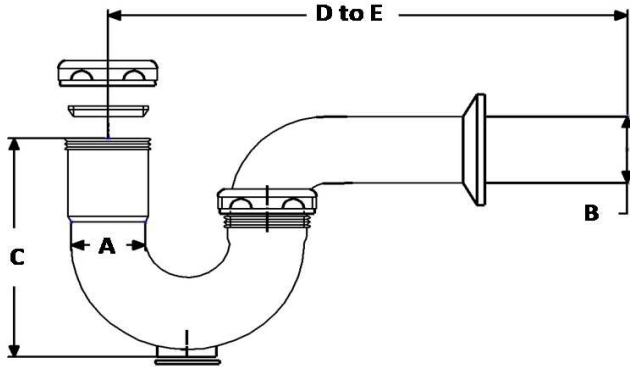




BRASS COMMERCIAL TRAP, ADJUSTABLE STYLE WITH CLEANOUT PLUG
PLUMBING PRODUCT SPECIFICATION



DESCRIPTION:

Brass Commercial P-trap, adjustable style.

SPECIFICATION:

Brass adjustable style p-trap for plumbing fixture.
 Constructed of 17 or 20 gauge seamless brass & * Brass Cast J-bend.
 Includes: J-bend, wall bend, slip nuts, slip washers and wall flange.

- Seamless brass tube only
- Brass Cast J-bend
- Heavy duty chromium finish
- Factory testing to insure leak free performance
- Industry approved
 - ✓ UPC/IAPMO
 - ✓ CSA
 - ✓ Mass Code Approved
 - ✓ LA Code Approved

The Keeney Manufacturing Company

1170 Main Street • Newington CT 06111
 PH: 800-243-0526 • Email: ncs@upt.com
www.keeneymfg.com

Installation Measurements						
PART NO.		INLET OD (A")	OUTLET OD (B")	HEIGHT (C")	LENGTH (D TO E")	Tube GA
5303K	*	1 1/4	1 1/4	4 1/2	11 1/2	17*
5303PC	*	1 1/4	1 1/4	4 1/2	11 1/2	17*
5303PC1803	*	1 1/4	1 1/4	4 1/2	11 1/2	17*
5303PC866CR	*	1 1/4	1 1/4	4 1/2	11 1/2	17*
5307PC	*	1 1/2	1 1/2	4 1/2	11 1/2	17*
5307PC1804	*	1 1/2	1 1/2	4 1/2	11 1/2	17*
5307PC867CR	*	1 1/2	1 1/2	4 1/2	11 1/2	17*
5307XPC	*	1 1/2	1 1/2	4 1/2	11 1/2	17*
5307XPCDF	*	1 1/2	1 1/2	4 1/2	11 1/2	17*
5311PC1804	*	1 1/4	1 1/4	4 1/2	11 1/2	17*
5311PC867CR	*	1 1/4	1 1/4	4 1/2	11 1/2	17*
5311XPC	*	1 1/4	1 1/4	4 1/2	11 1/2	17*
5461X6PCDFCR	*	1 1/2	1 11/16	4 1/2	10 1/2	20*
5461XPC	*	1 1/2	1 11/16	4 1/2	10 1/2	20*
5463X6PCDFCR	*	1 1/2	1 11/16	4 1/2	5	17*
5463XPC	*	1 1/2	1 11/16	4 1/2	5	17*

* Part #'s provided standard with Keeney's unique **Red TPE** "leak free technology" washers

Part # Suffix Designations:

- BN** - Brass nuts
- CP** - Chromium plated
- DF** - Deep flange
- RB** - Rough brass Finish
- X** - Ground joint connection
- 866** - Box Flange 1 1/4"
- 867** - Box Flange 1 1/2"
- 1803** - Cast Brass Flange with screw 1 1/4"
- 1804** - Cast Brass Flange with screw 1 1/2"

Specifier Approval	
Job Name _____	Date _____
Model _____	Qty _____
Wholesaler _____	
Contractor _____	
Architect _____	

Keeney Representative
 Stamp or label here