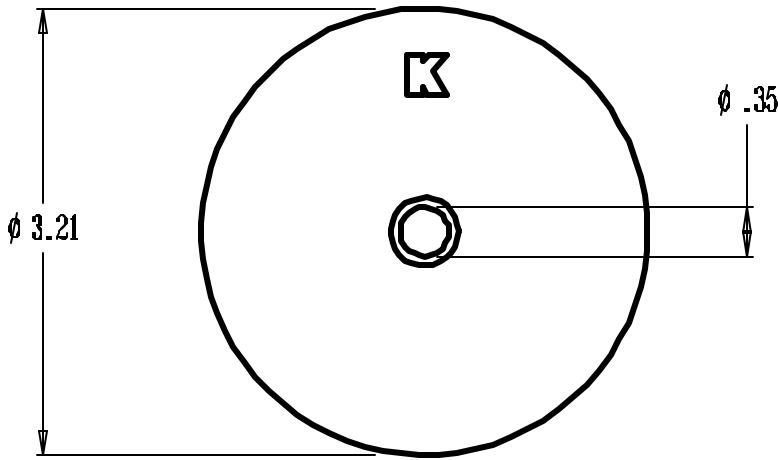
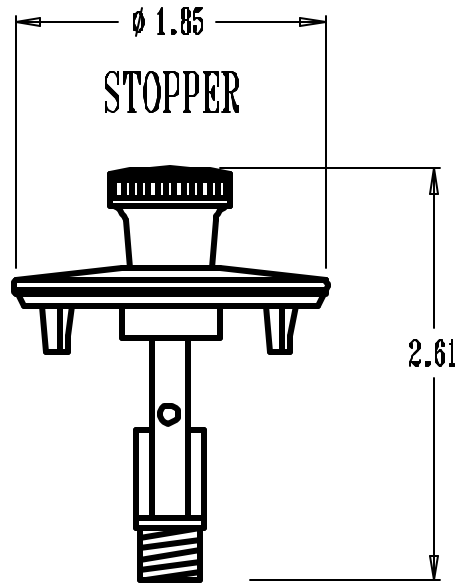


FACE PLATE



FRONT VIEW

SIDE VIEW



FRONT VIEW

NOTES:

- 1. ALL DIMENSIONS ARE IN INCHES.
- 2. FINISH: CHROME PLATE

THE KEENEY MANUFACTURING COMPANY
NEWINGTON, CT

TITLE: TRIM FINISH KIT-LIFT N TURN P/N: LIENTURNTRIM

DWG BY: M. KURO

DATE: 8/30/04

SCALE: SHOWN