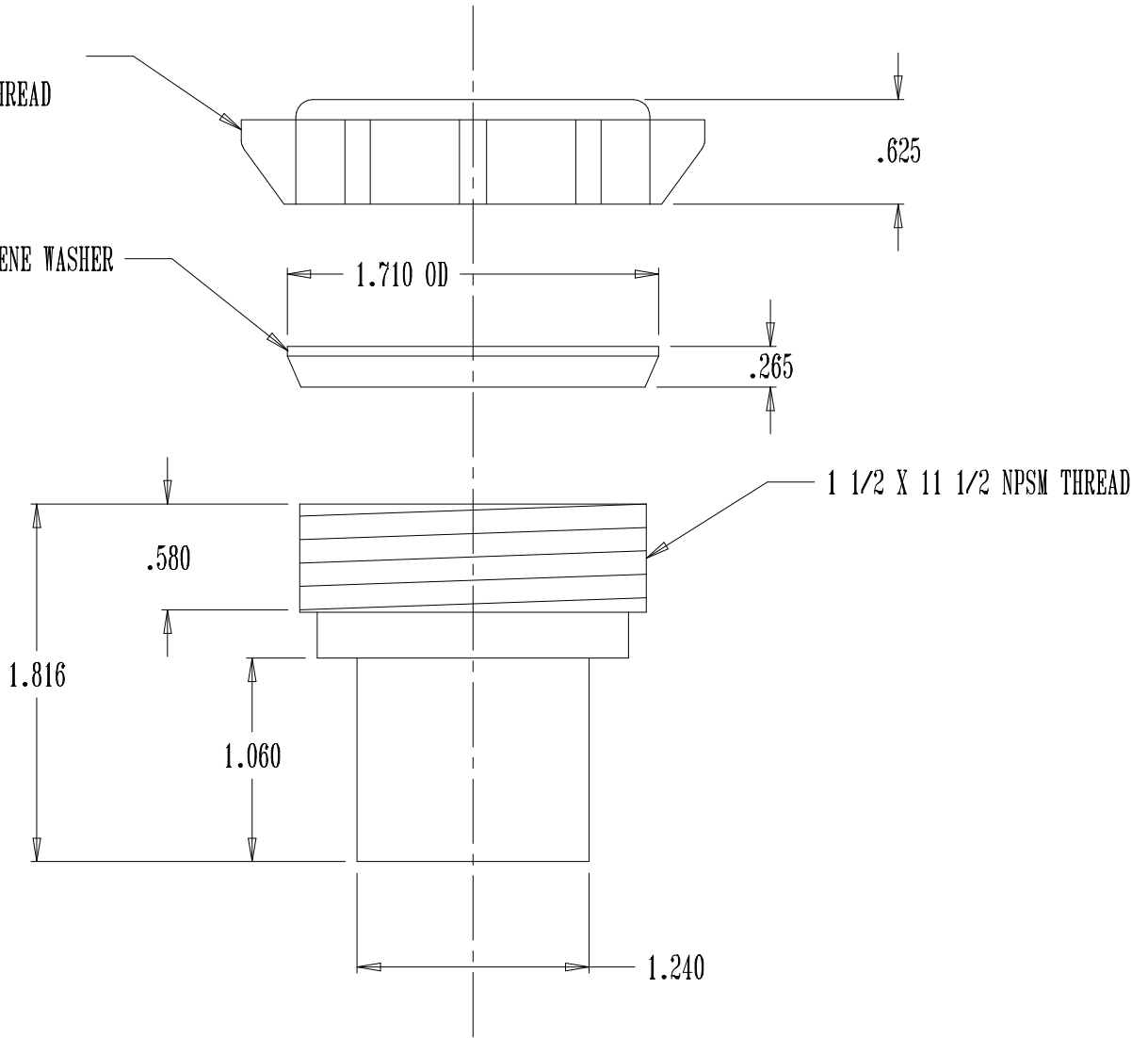


POLYPROPYLENE NUT
1 1/2 X 11 1/2 NPSM THREAD

POLYETHYLENE WASHER



NOTES:

1. ALL DIMENSIONS ARE IN INCHES.
2. MATERIAL: PVC, POLYETHYLENE, POLYPROPYLENE
3. FINISH: WHITE

THE KEENEY MANUFACTURING COMPANY
NEWINGTON, CT

TITLE: VANITY REDUCER COUPLING P/N: PP20558

DWG BY: RICH JAGOS DATE: 3/17/09 SCALE: SHOWN