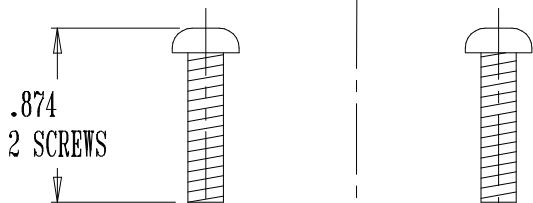
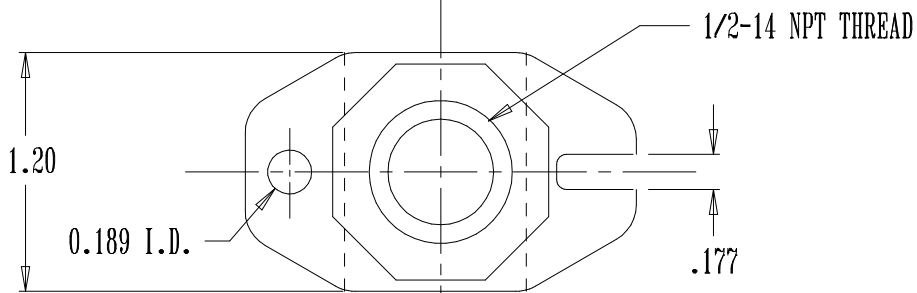
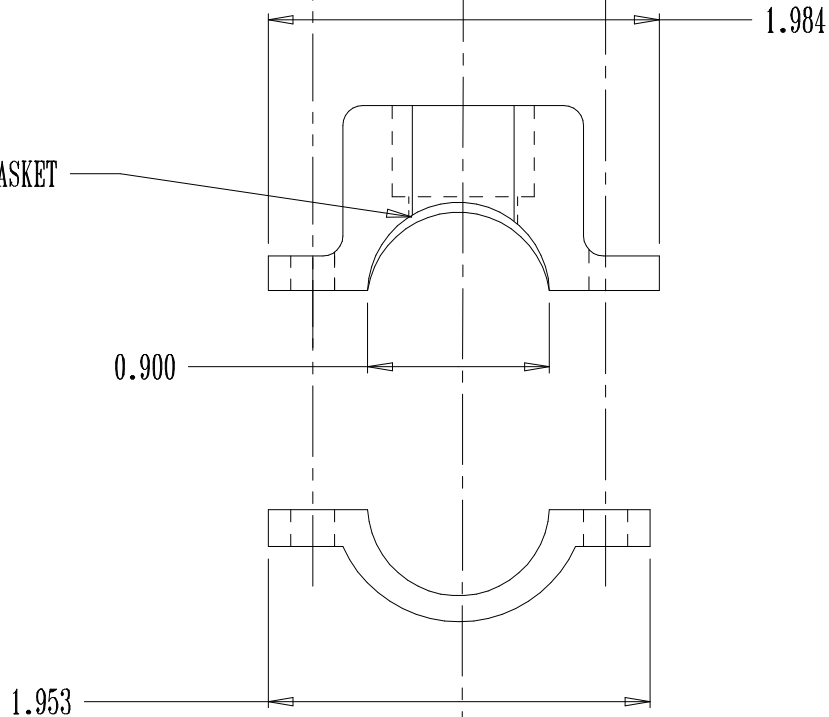


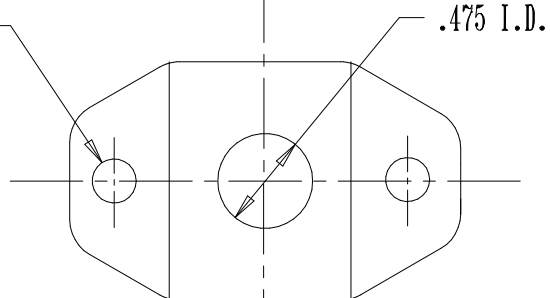
TOP VIEW



RUBBER GASKET



.142 I.D.
2 HOLES



BOTTOM VIEW

NOTES:

1. ALL DIMENSIONS ARE IN INCHES.
2. MATERIAL: CAST BRASS
3. FINISH:

THE KEENEY MANUFACTURING COMPANY NEWINGTON, CT		
TITLE: SADDLE TEE	P/N: PP855-30	
DWG BY: RICH JAGOS	DATE: 8/21/07	SCALE: SHOWN