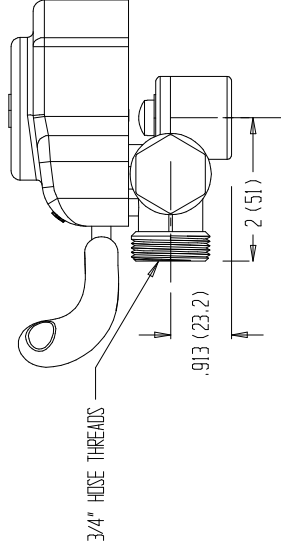
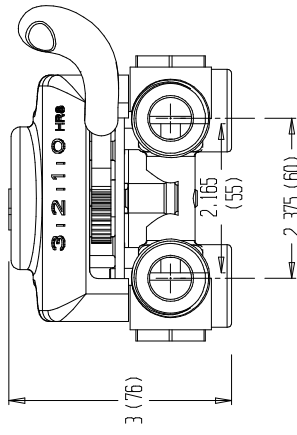
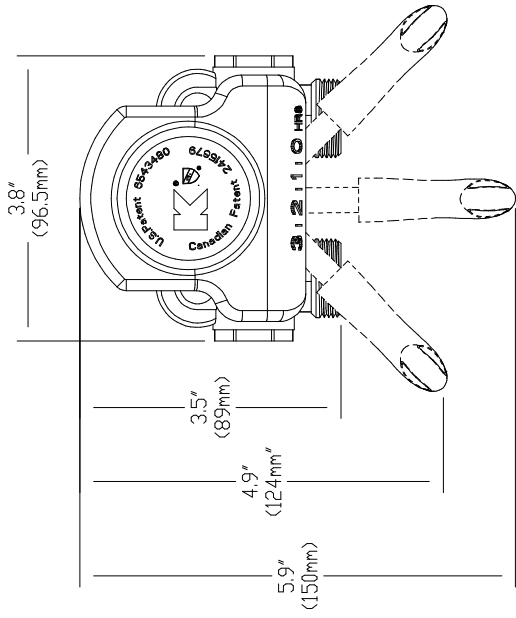


NOTES:

- 1. ALL DIMENSIONS ARE IN INCHES (MM).
- 2. MATERIAL: VARIOUS & BRASS



THE KEENEY MANUFACTURING COMPANY
NEWINGTON, CT U.S.A.

TITLE: TIMER VALVE FOR WASHING MACHINE P/N:2354

DWG BY: RKH

DATE:10/31/13

SCALE:SHOWN